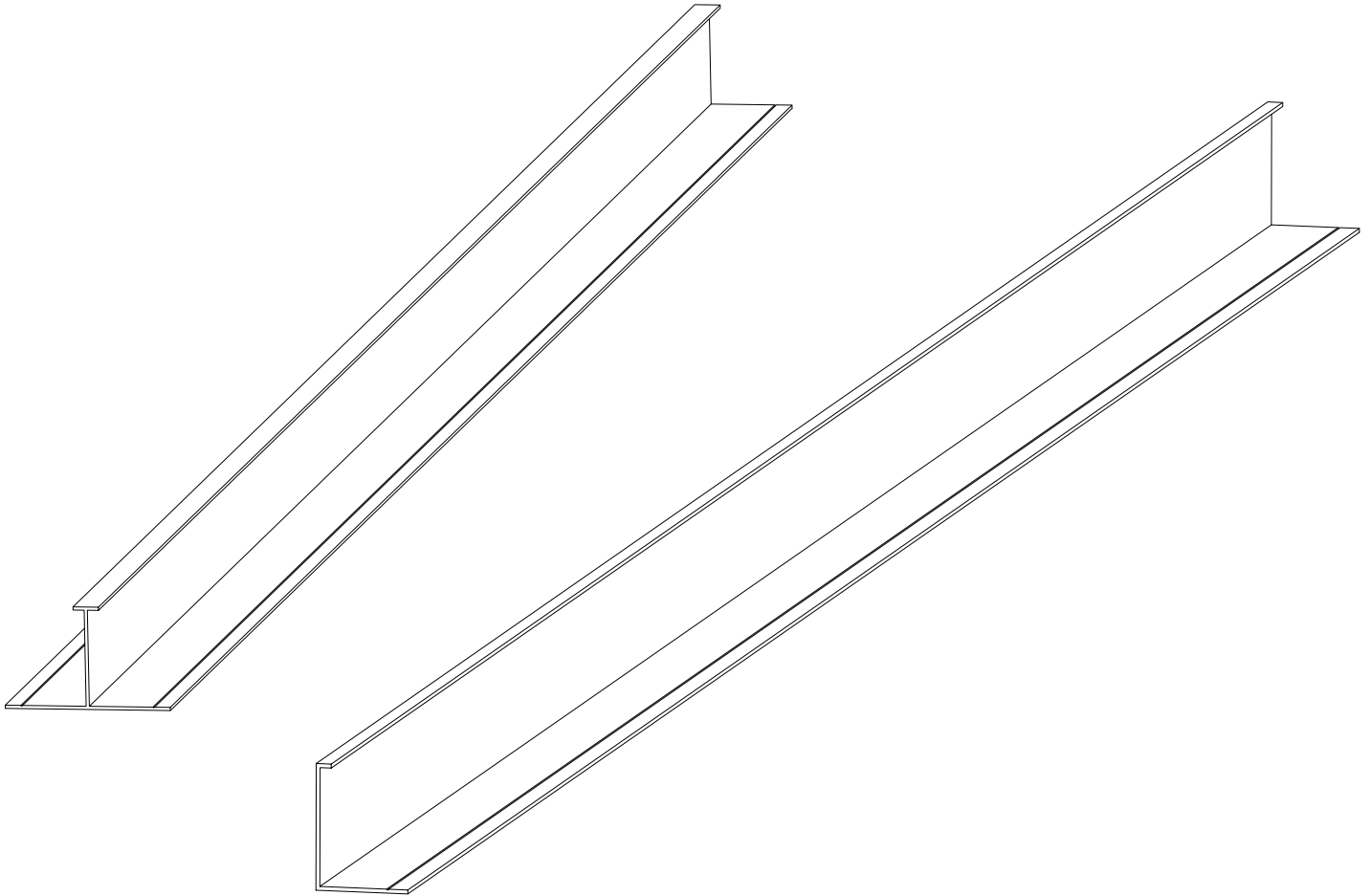
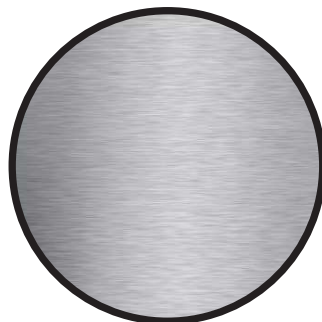


FLANNERY

PRODUCT SPECIFICATION



AVAILABLE COLORS:



SILVER ANODIZED



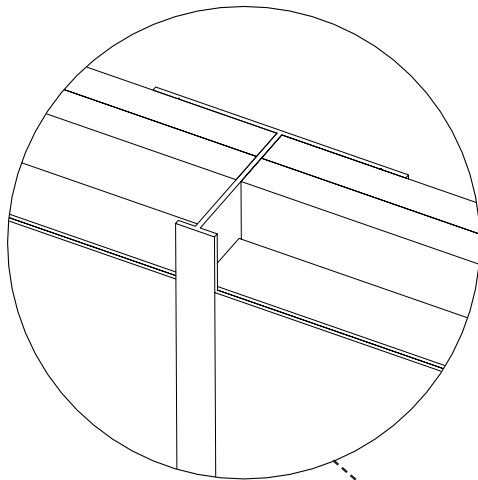
BLACK ANODIZED

FLANNERY

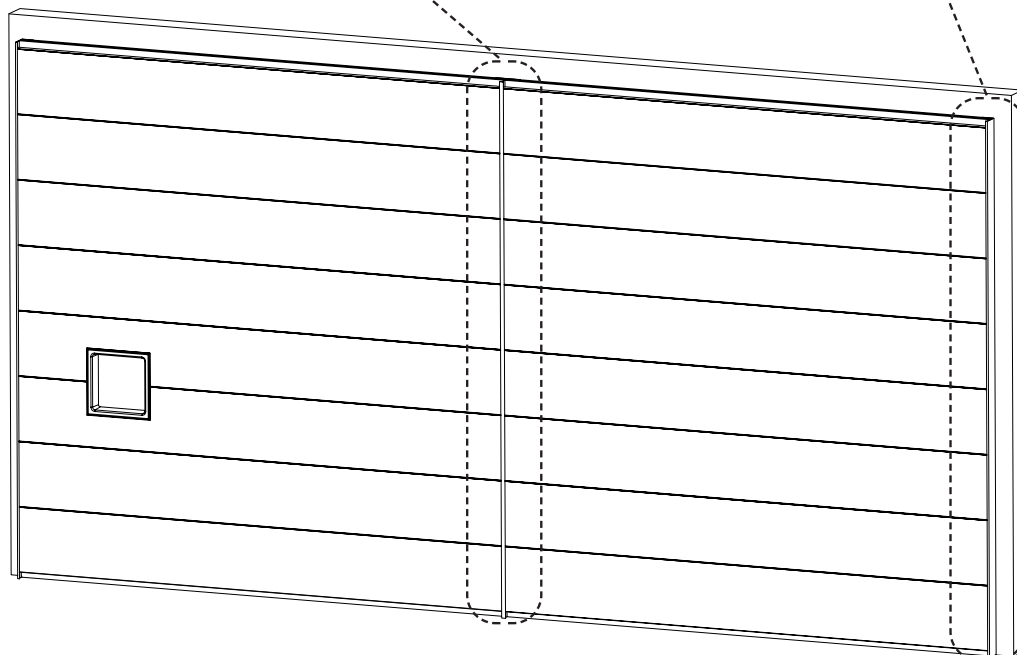
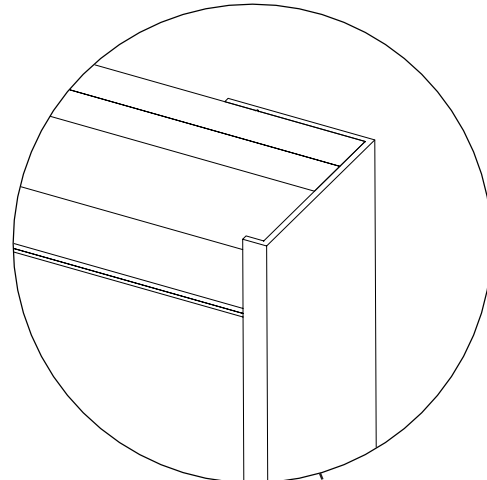
Overview

Our flannery extrusions are designed to conceal and decorate the seams of STRATAWOOD, PIXL, FELTLAP and other PET products. T-trim is intended for the seams where 2 panels meet, and side trim is for finished edges/corners.

T-Trim



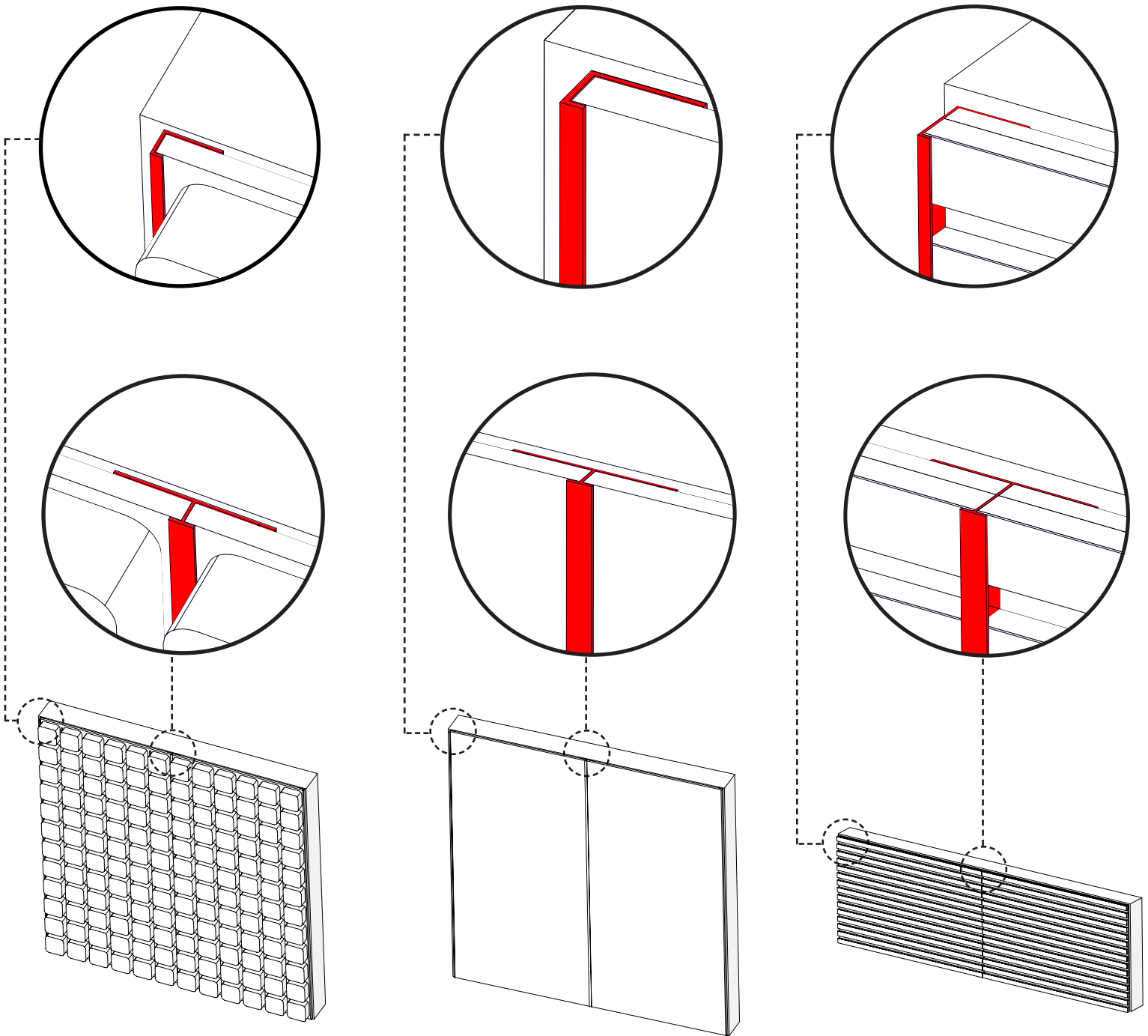
Side Trim



Product shown: FELTLAP

FLANNERY

Product Overview



Product: PIXL

Product: PET SHEET

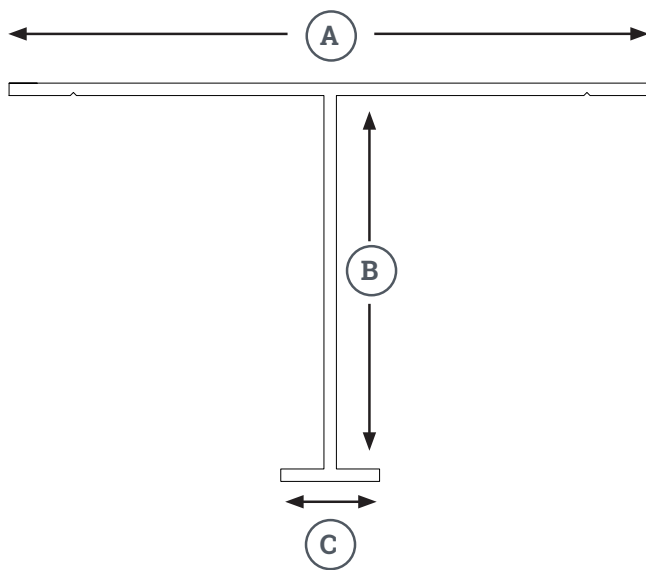
Product: Stratawood

FLANNERY

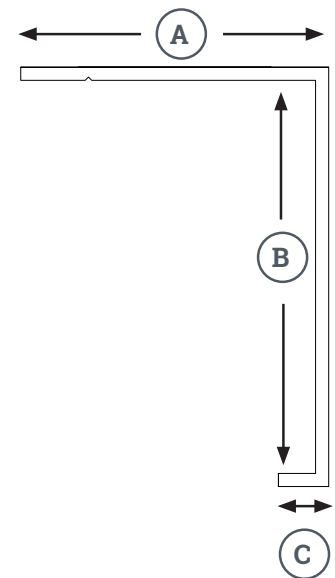
Dimensions

Flannery ships in 8' stock size, and must be cut to size on site with a metal cutting saw. Black anodized and silver anodized options are available upon request.

T-Trim



Side Trim



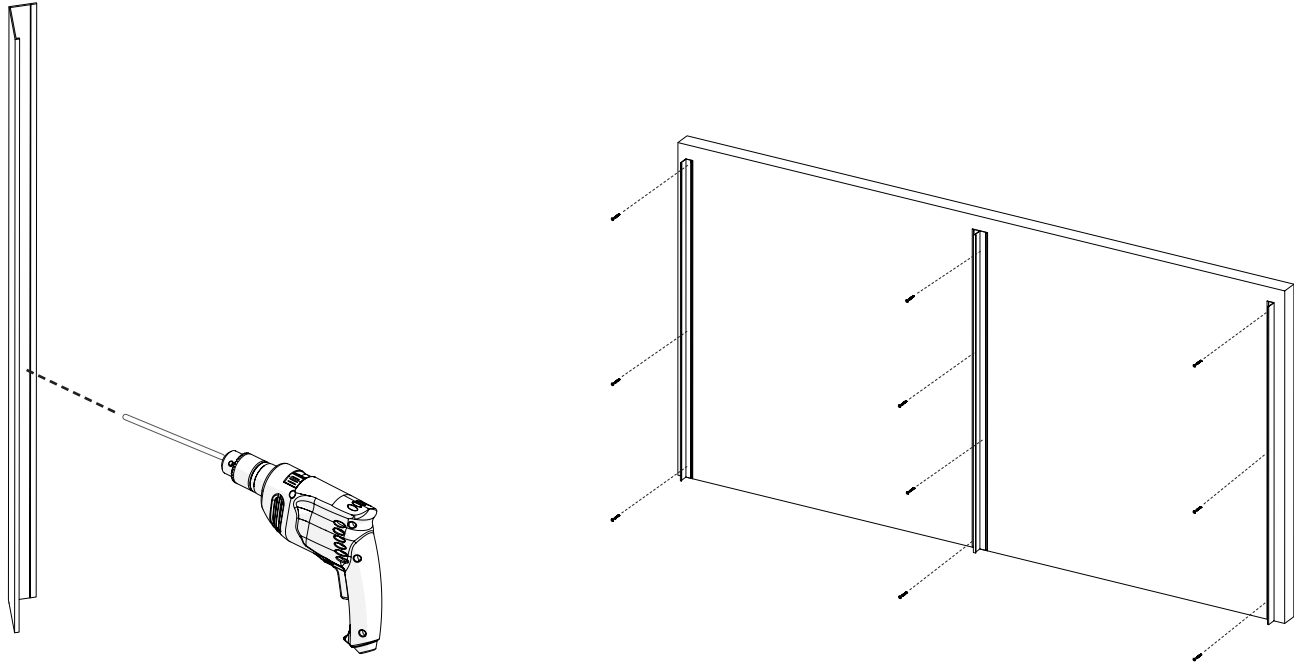
Product Compatibility	A	B	C
Feltlap	2.44"[61.91mm]	1.42"[36mm]	.38"[9.53mm]
Stratawood	2.44"[61.91mm]	.87"[22mm]	.38"[9.53mm]
Stratawood Lite/PET/Pixl	2.44"[61.91mm]	.38"[9.53mm]	.38"[9.53mm]

Product Compatibility	A	B	C
Feltlap	1.50"[38.10mm]	1.42"[36mm]	.18"[4.6mm]
Stratawood	1.50"[38.10mm]	.87"[22mm]	.18"[4.6mm]
Stratawood Lite/PET/Pixl	1.50"[38.10mm]	.38"[9.53mm]	.18"[4.6mm]

FLANNERY EXTRUSION

Installation overview

1 - Drill through-holes in the flannery according to your chosen fastener size. Carefully measure the installation space, cut Flannery to size and install the extrusions directly to the installation surface.



2 - Install the panels within the flannery slots, according to the detailed installation instructions included with each product package.

