

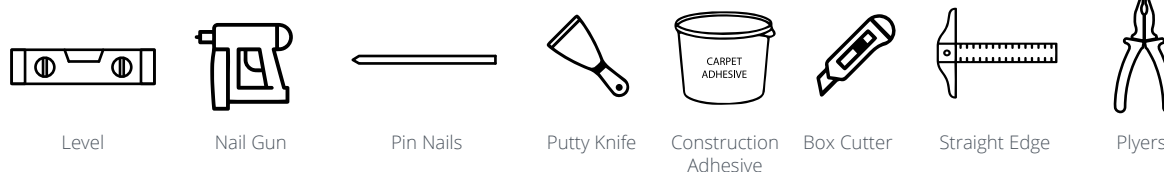
HEX Installation

Acoustical Wall Panels

These installation suggestions consist of a common process for wall panel installation. Installers should rely upon their own professional experience and understanding of their unique requirements to ensure a successful install.

BRİK panels look best when installed with no gaps between ends or rows.

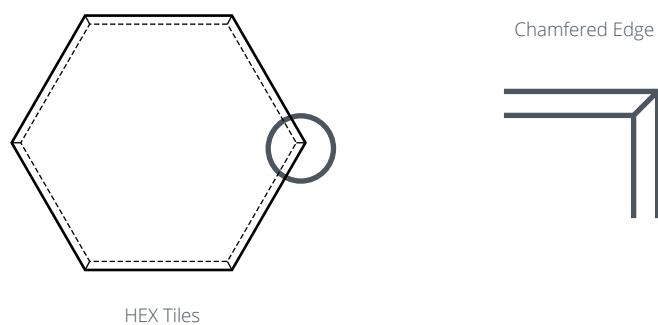
Tools Needed



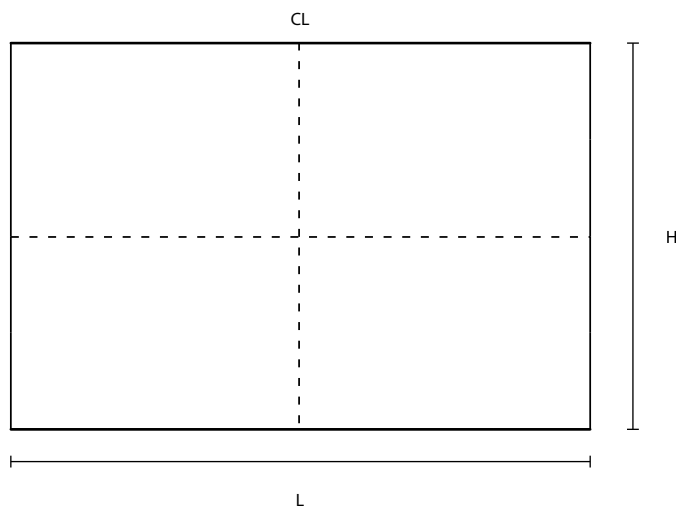
Optional Tools



Items Included



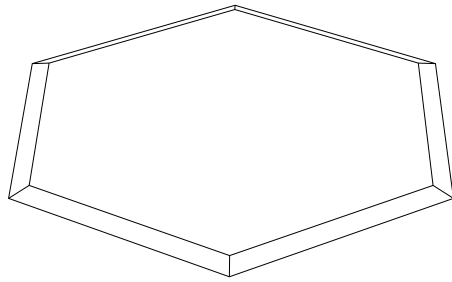
1. Measure the length and height of the wall. Find center of the wall.



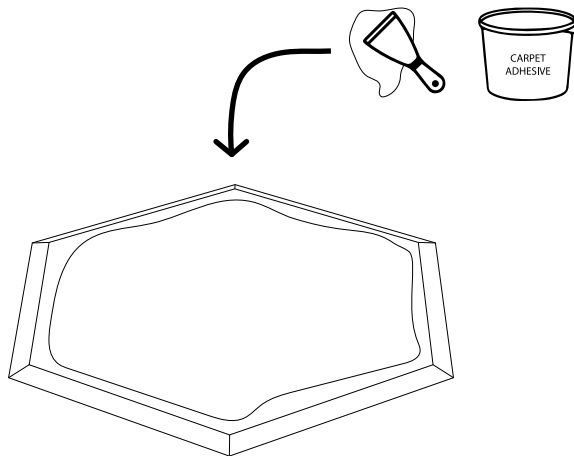
HEX Installation

Acoustical Wall Panels

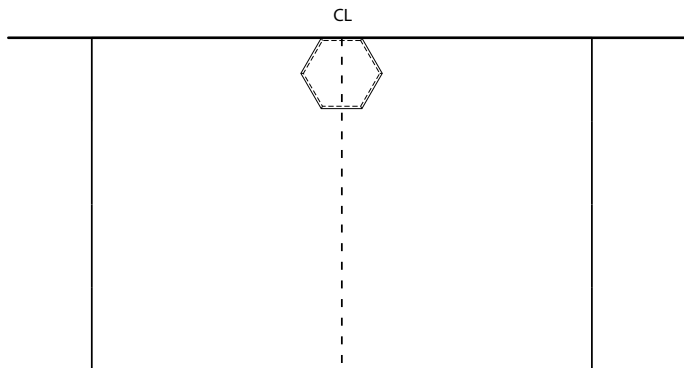
- Lay down the HEXs on the ground and flip the chamfered edge down.



- Use the putty knife to place the construction adhesive to one HEX at a time. Use the putty knife to apply the construction adhesive to the back of each HEX one at a time. Adhesive had 20-25 minutes of working time.



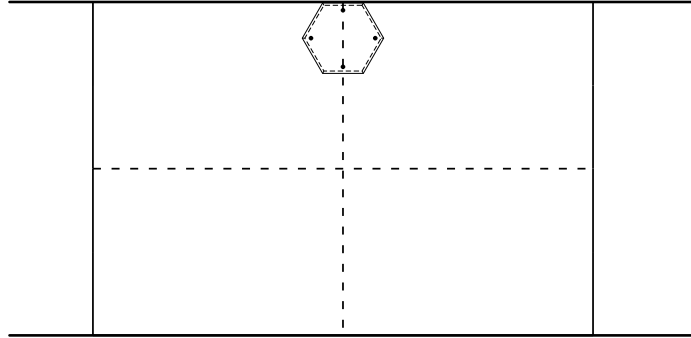
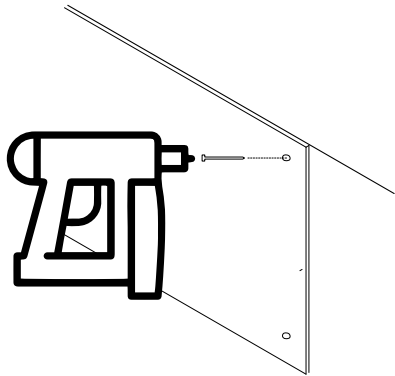
- Position the HEX on the wall.



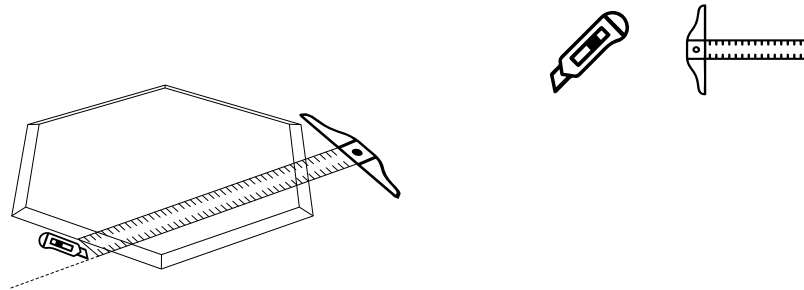
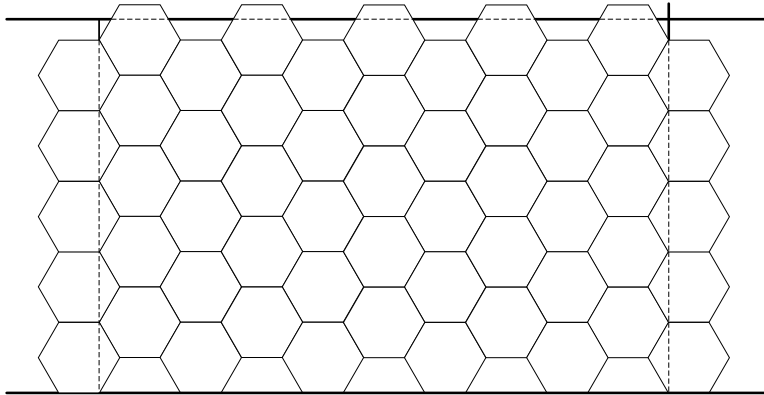
HEX Installation

Acoustical Wall Panels

5. Use nail gun to put finishing nails on the four corners to hold the HEX until the adhesive is dry.



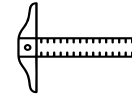
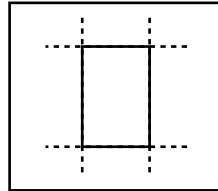
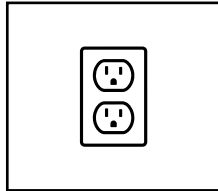
- 6.



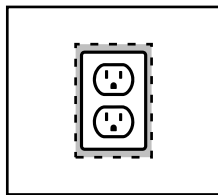
HEX Installation

Acoustical Wall Panels

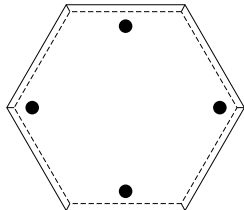
6a. Follow instructions in step #6. for cuts around outlets, etc.



Tip: Matching paint color can be used on the wall around outlets or anywhere where HEX tiles are not fitting snugly to each other. This can happen when doing complex cuts or when your wall has imperfections or is not at a perfect 90 degree angle. This small trick will stop any white wall peeking through.



7. Once adhesive has dried, use pliers to remove the fine nails.



8. HEX wall is complete.

