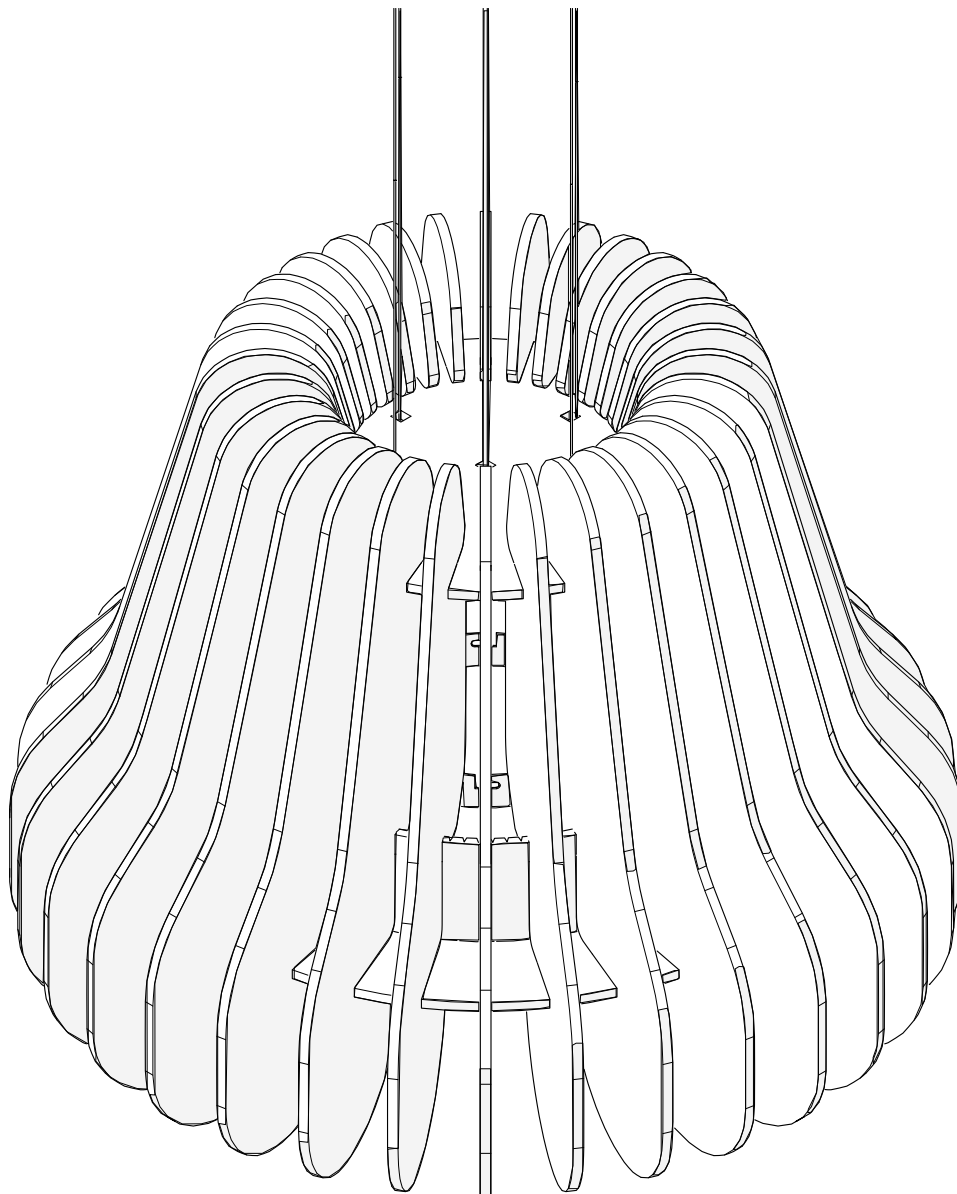


# BLOOM TRUMPET Installation

Acoustical Lighting

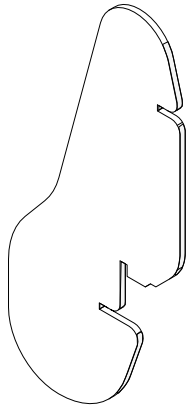
---



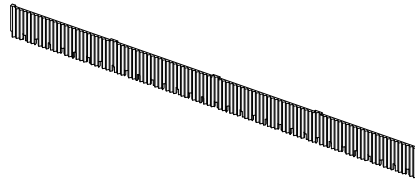
## BLOOM TRUMPET Installation

Acoustical Lighting

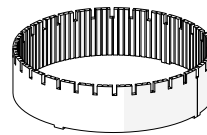
### INCLUDED COMPONENTS



Fin **x32**

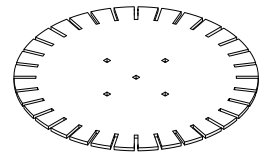


[flat]

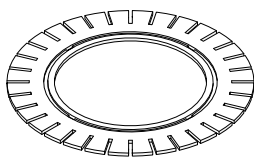


[folded]

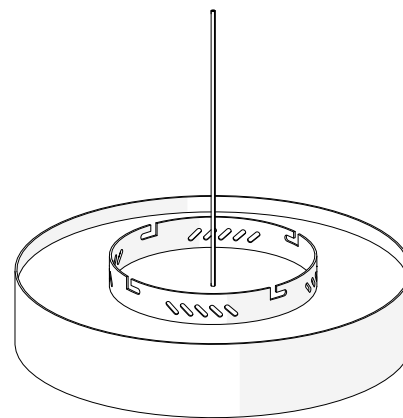
Ring Cover **x1**



Disc **x1**



Disc Bottom **x1**



Light Fixture **x1**

*Light fixture length varies based on chosen model.*

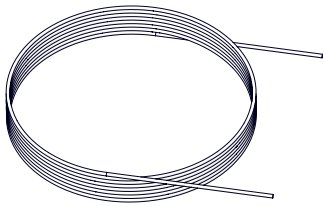


*Fixture shown has been wired by a professional electrician.  
Drop distance will be determined by length of the cord, and  
must be taken into account at time of wiring.*

## BLOOM TRUMPET Installation

Acoustical Lighting

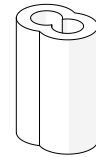
### INCLUDED HARDWARE



Aircraft Cable **15ft**

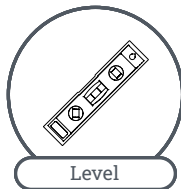


Double-Exit Gripper **x4**

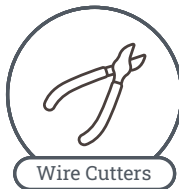


Cable Ferrule **x4**

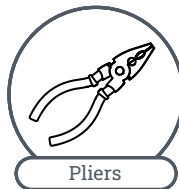
### REQUIRED TOOLS



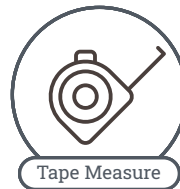
Level



Wire Cutters



Pliers

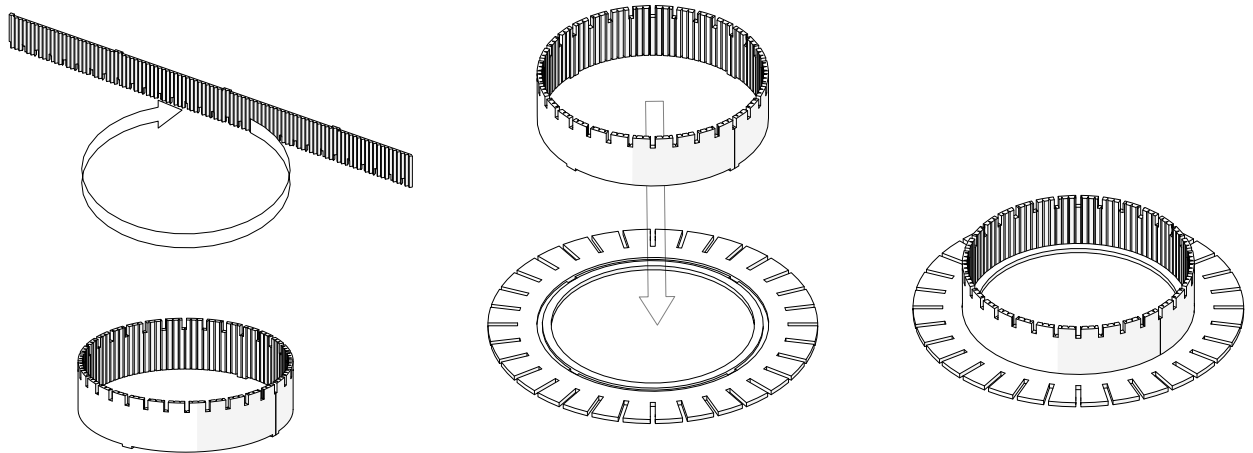


Tape Measure

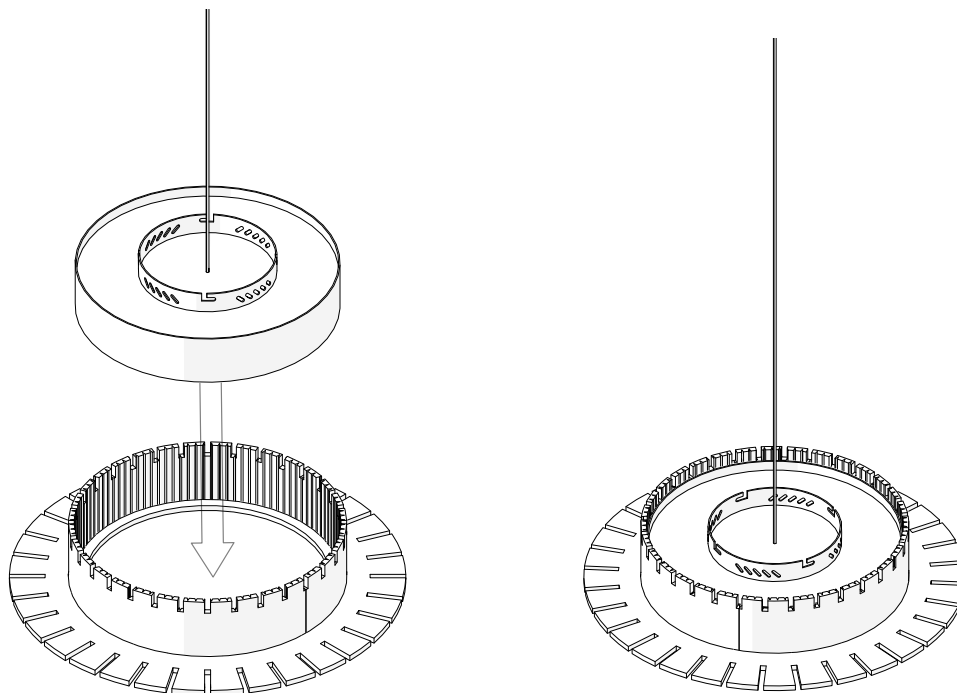
## BLOOM TRUMPET Installation

Acoustical Lighting

- 1 Fold the ring cover and insert it in the groove of the disc bottom



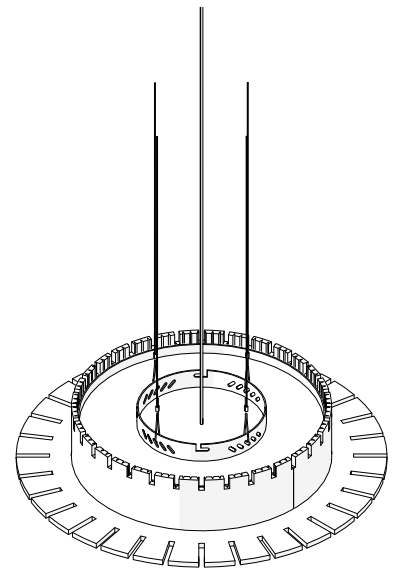
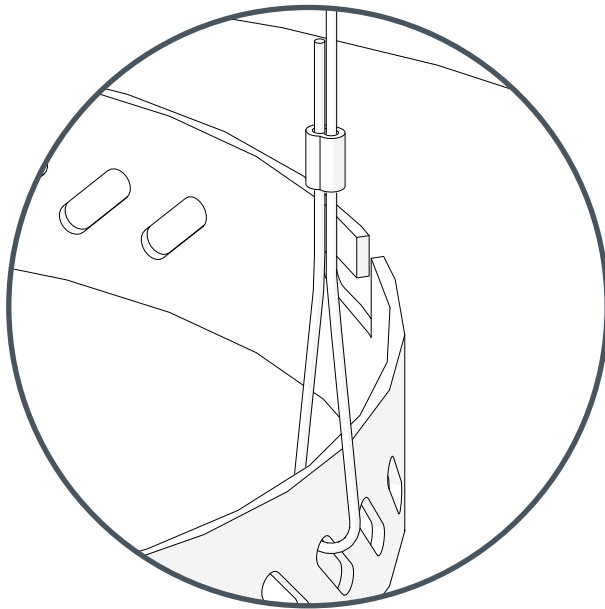
- 2 Drop the wired light fixture into the ring cover



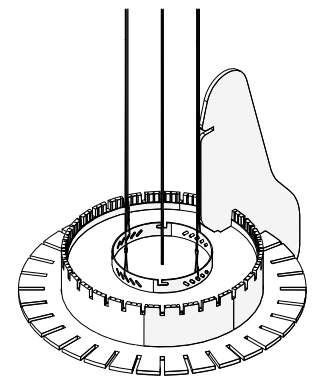
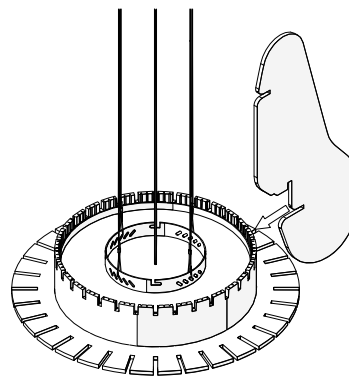
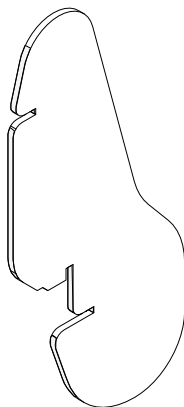
## BLOOM TRUMPET Installation

Acoustical Lighting

- 3** Place a cable ferrule on one end of the aircraft cable, and thread that end through one of the oblong holes in the light fixture. Thread the cable back through the cable ferrule, and crimp the ferrule with pliers. Trim the excess aircraft cable. Repeat 3 times so that the light fixture has 4 aircraft cables equally spaced on each side.



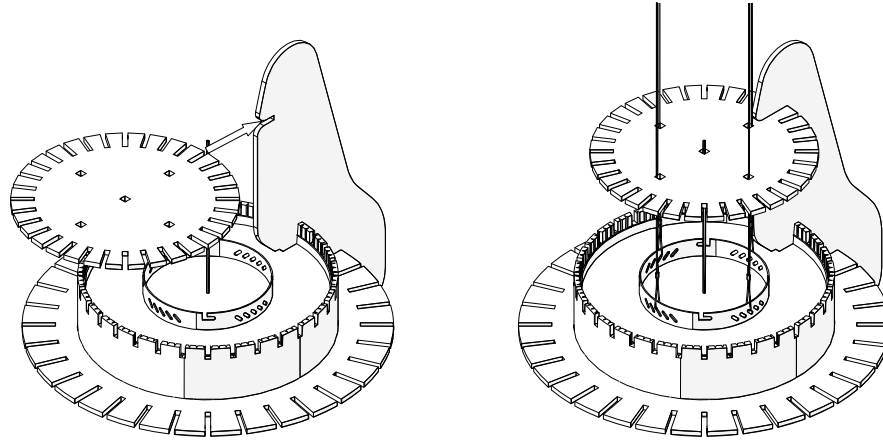
- 4** Insert one fin in the slots in the ring cover and disc bottom



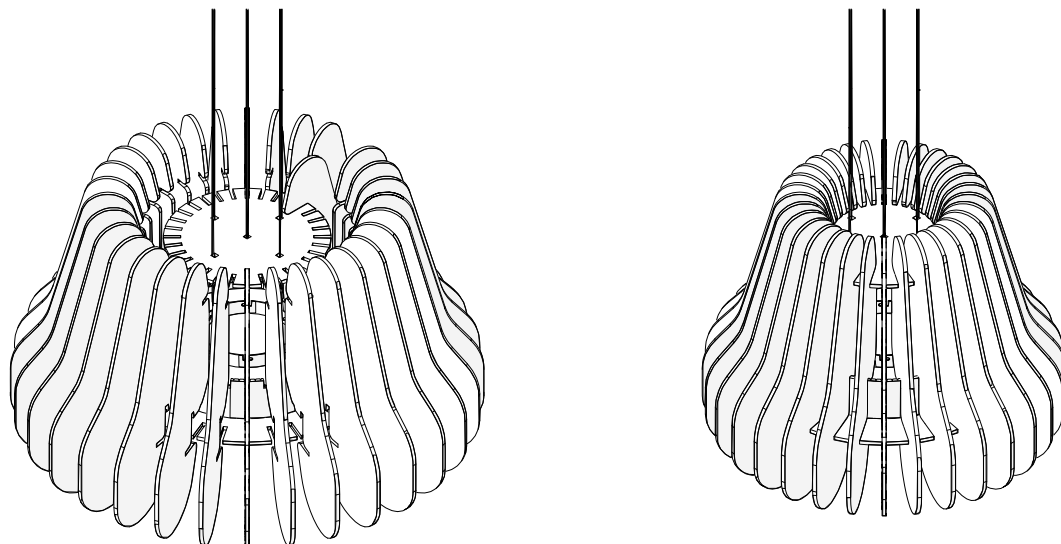
## BLOOM TRUMPET Installation

Acoustical Lighting

- 5** Insert the remaining disc into the fin, threading the light fixture cord and aircraft cables through their respective holes in the disc



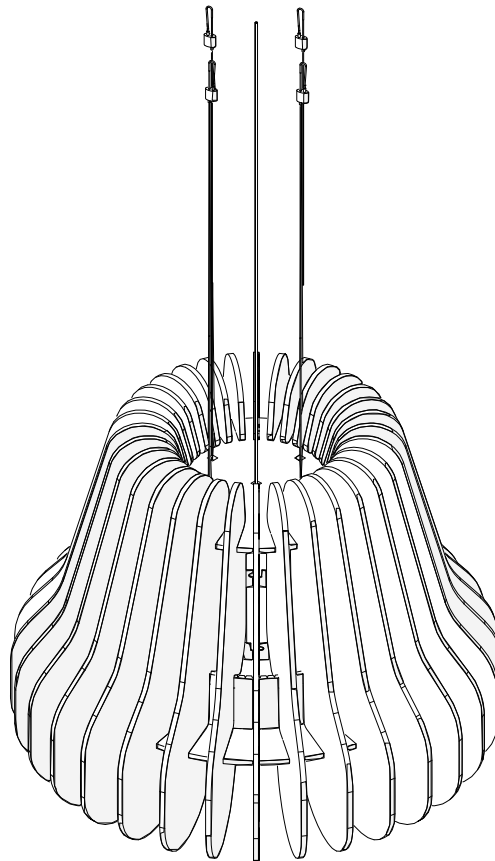
- 6** Insert the remaining fins into the remaining slots



## BLOOM TRUMPET Installation

Acoustical Lighting

- 7 Hang and level BLOOM TRUMPET using double-exit cable grippers, or according to your preferred method.



**NOTE:** To ensure the proper functioning and safety of your BLOOM TRUMPET, it is important to securely hang it with aircraft cable that can adequately support its weight. Please note that the electrical wire connected to the light source is not designed to bear the weight of the fully assembled fixture.

Neglecting this precautionary information may lead to a malfunction of the product. We highly recommend consulting a professional electrician to ensure the installation is carried out correctly and to guarantee your utmost satisfaction with the product.

**INSTALLATION COMPLETE.**