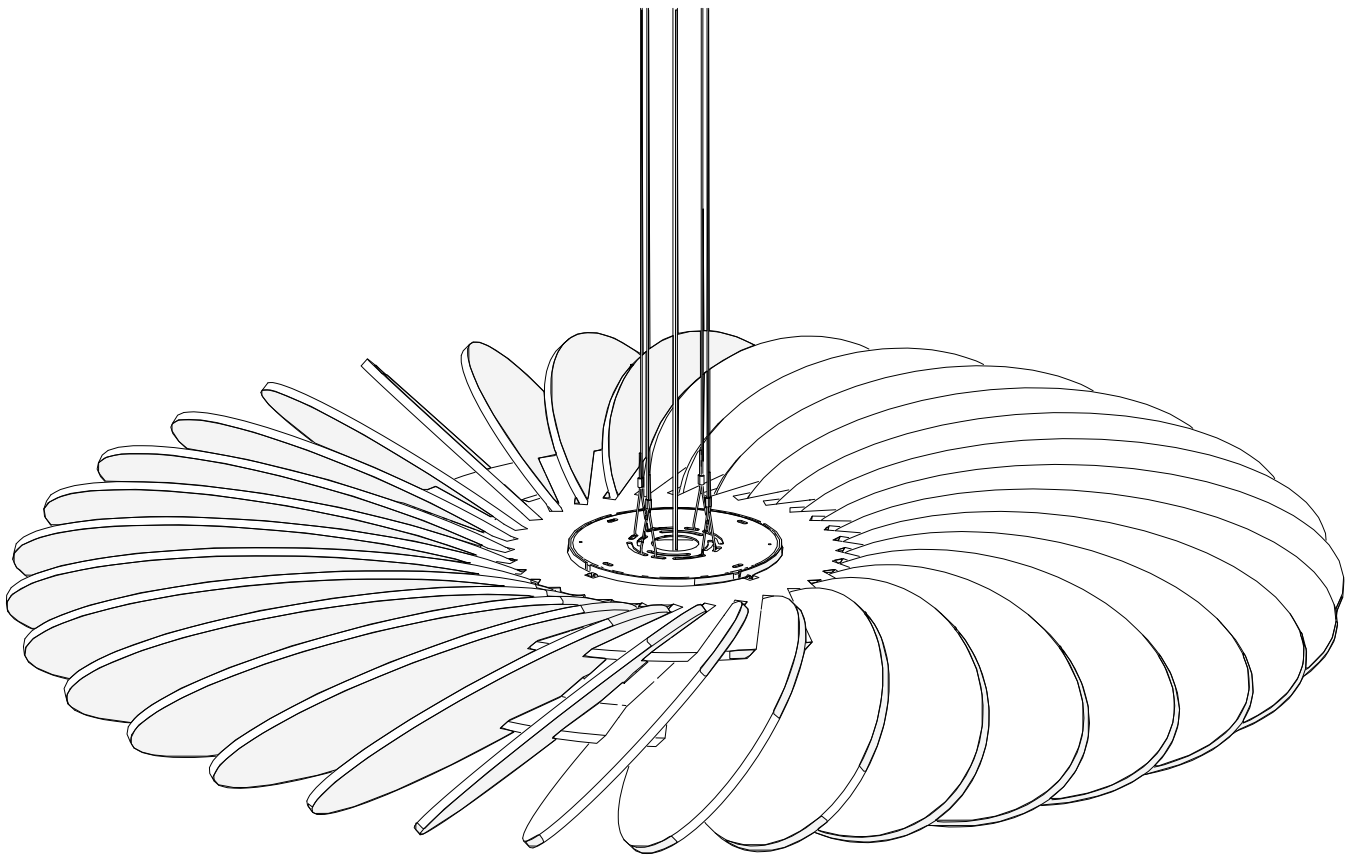


## BLOOM ZINNIA Installation

Acoustical Lighting

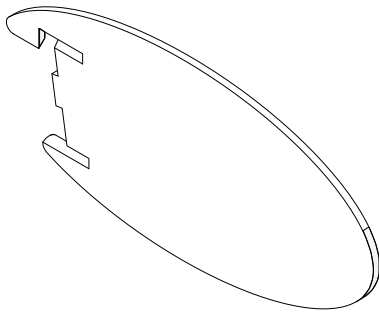
---



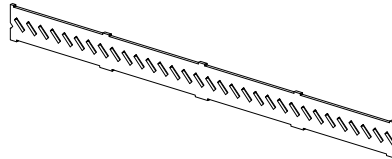
## BLOOM ZINNIA Installation

Acoustical Lighting

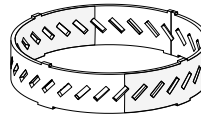
### INCLUDED COMPONENTS



Fin **x32**

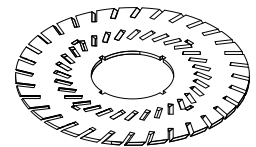


[flat]

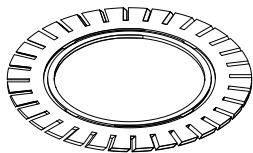


[folded]

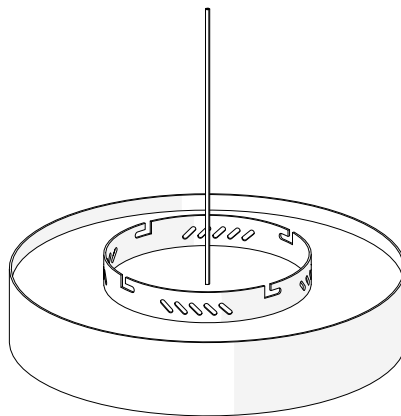
Ring Cover **x1**



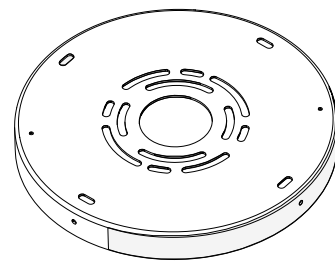
Disc Top **x1**



Disc Bottom **x1**



Light Fixture **x1**



Light Fixture Cover **x1**  
with Set Screws (4)

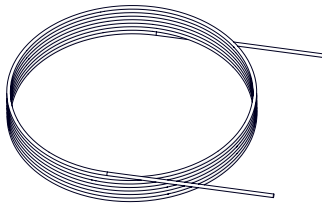


*Fixture shown has been wired by a professional electrician. Drop distance will be determined by length of the cord, and must be taken into account at time of wiring.*

## BLOOM ZINNIA Installation

Acoustical Lighting

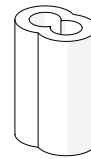
### INCLUDED HARDWARE



Aircraft Cable **15ft**

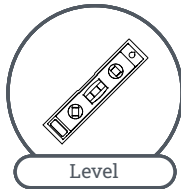


Double-Exit Gripper **x4**

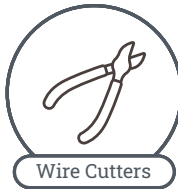


Cable Ferrule **x4**

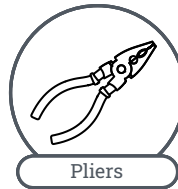
### REQUIRED TOOLS



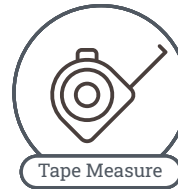
Level



Wire Cutters



Pliers

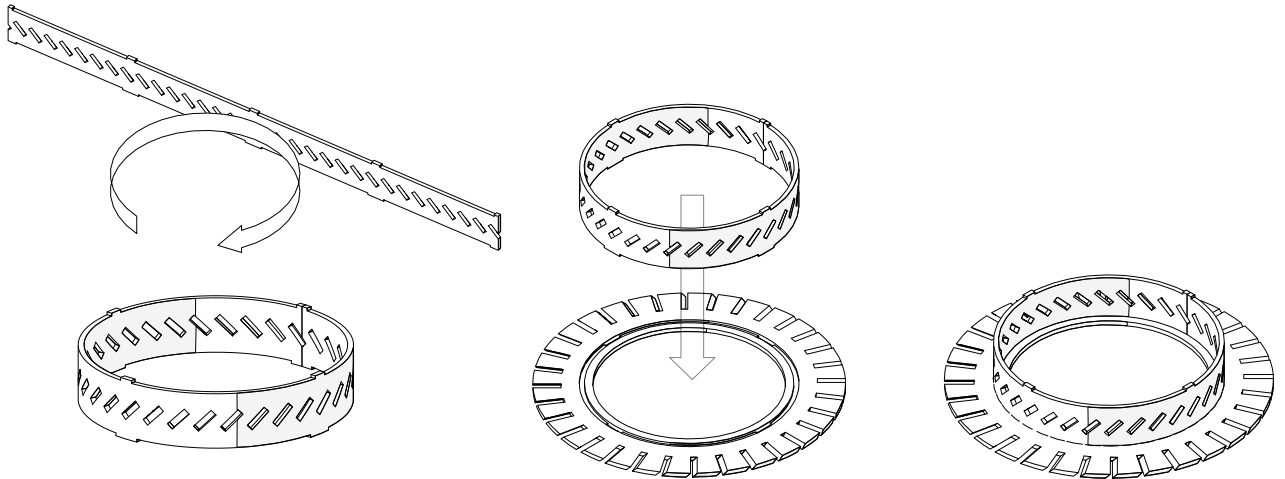


Tape Measure

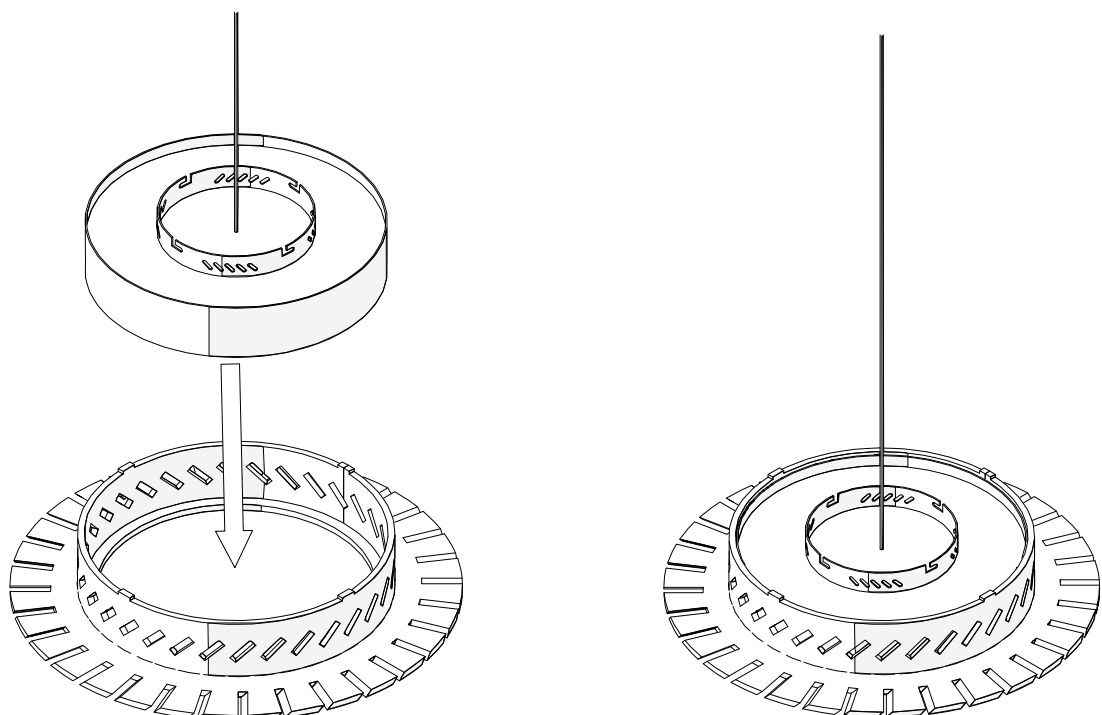
## BLOOM ZINNIA Installation

Acoustical Lighting

- 1 Fold the ring cover and insert it in the groove of the disc bottom.



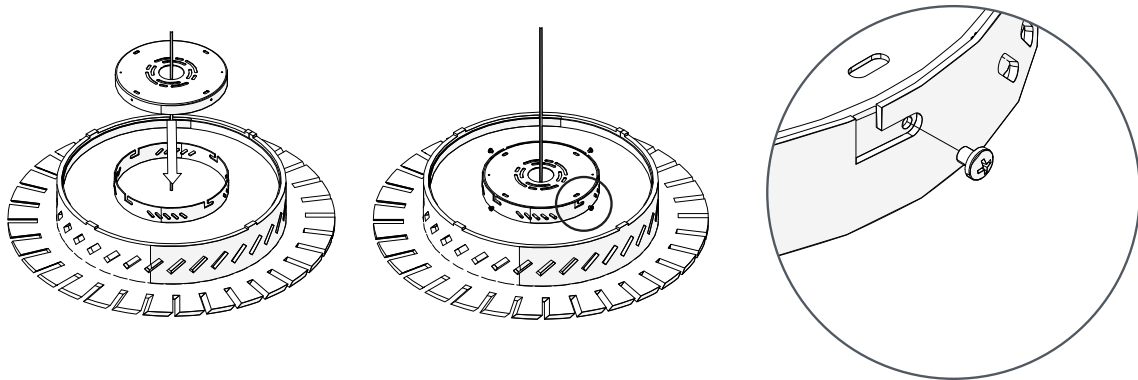
- 2 Drop the wired light fixture into the ring cover.



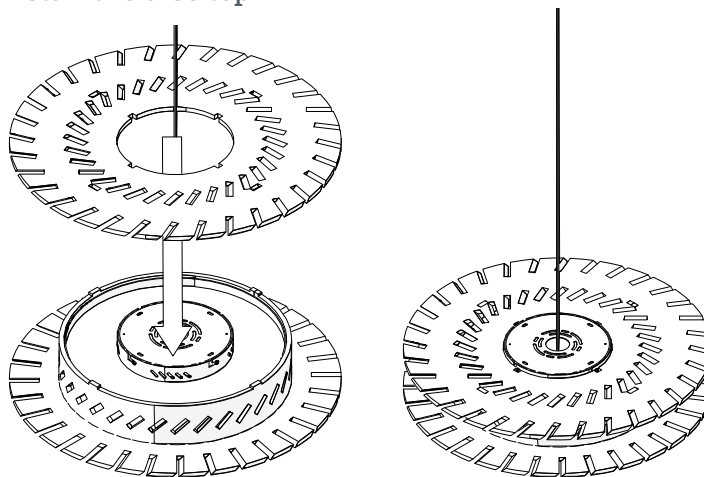
## BLOOM ZINNIA Installation

Acoustical Lighting

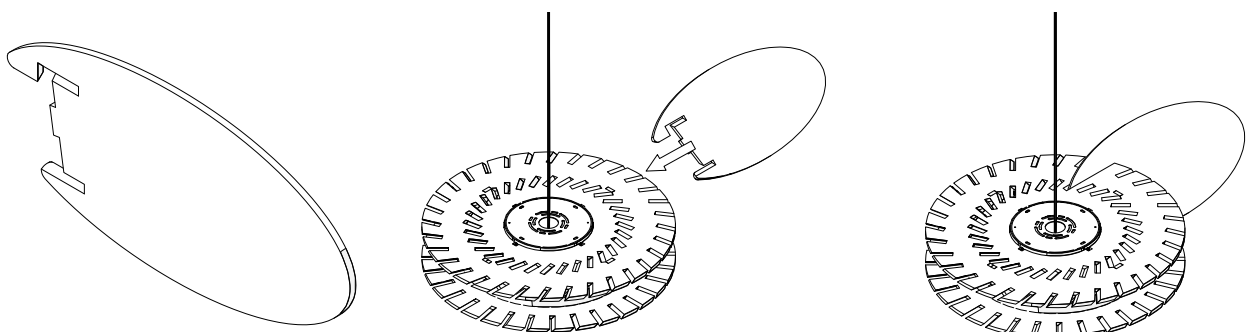
- 3** Install the light fixture cover using the 4 set screws provided, as shown.



- 4** Install the disc top.



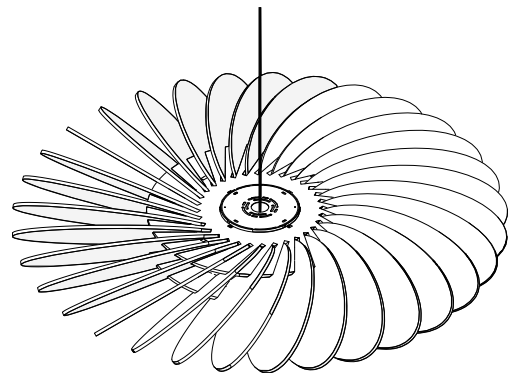
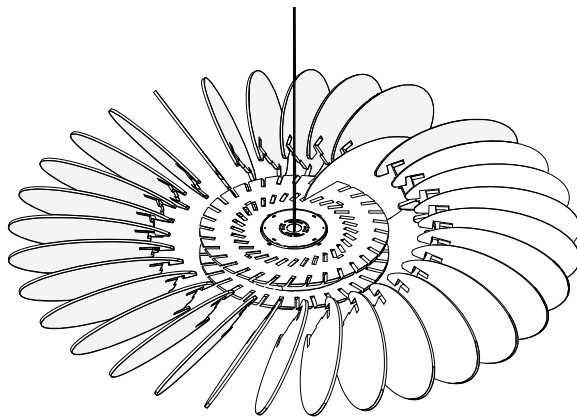
- 5** Insert one fin in the slots in the ring bottom and disc top.



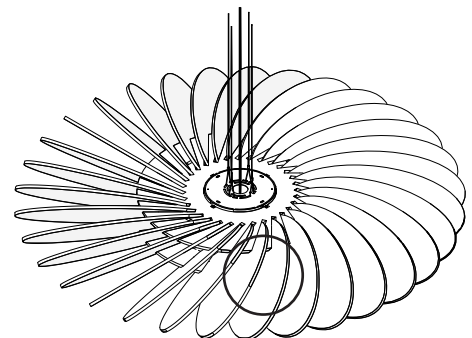
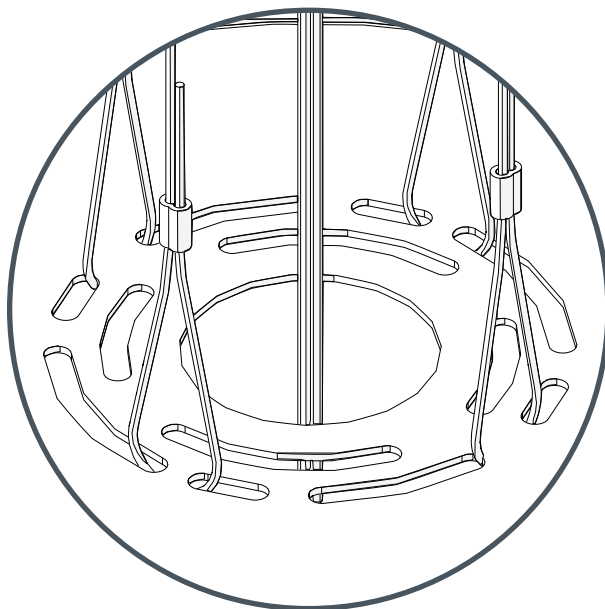
## BLOOM ZINNIA Installation

Acoustical Lighting

- 6** Insert the remaining fins into the remaining slots.



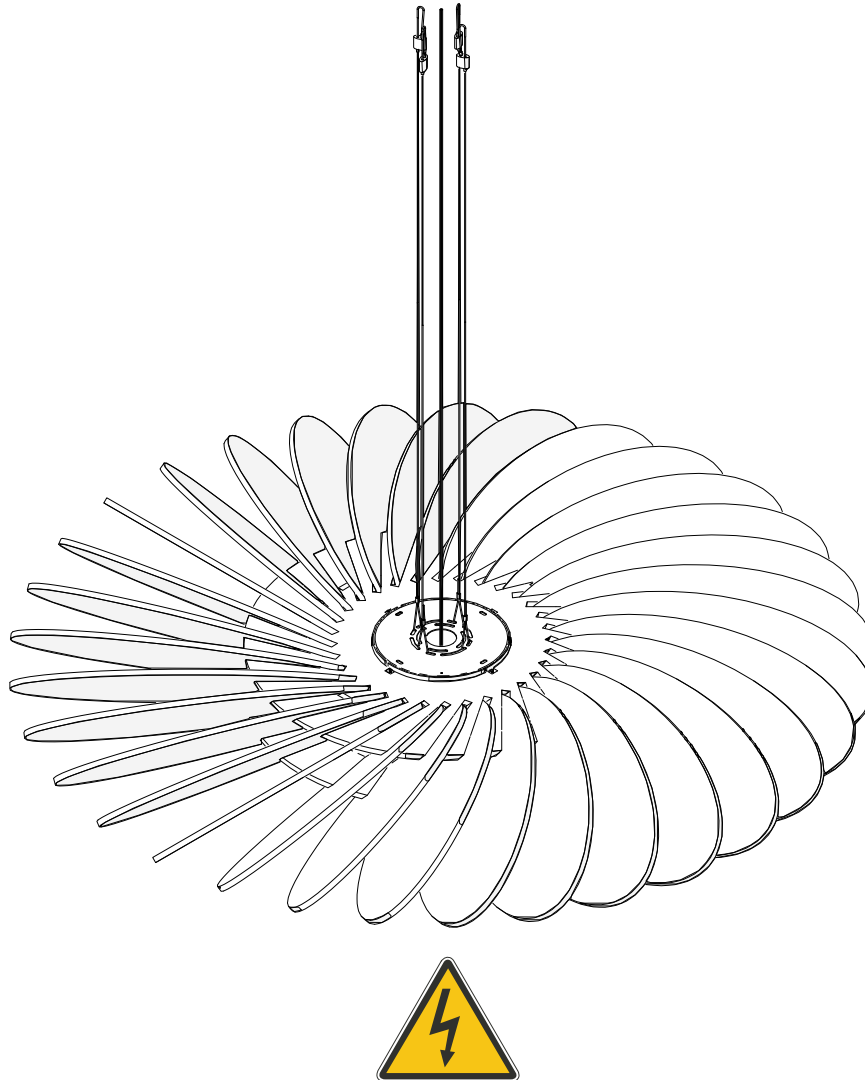
- 7** Place a cable ferrule on one end of the aircraft cable, and thread that end through one of the oblong holes in the light fixture. Thread the cable back through the cable ferrule, and crimp the ferrule with pliers. Trim the excess aircraft cable. Repeat 3 times so that the light fixture has 4 aircraft cables equally spaced on each side



## BLOOM ZINNIA Installation

Acoustical Lighting

- 8 Hang and level BLOOM ZINNIA using double-exit cable grippers, or according to your preferred method.



**NOTE:** To ensure the proper functioning and safety of your BLOOM ZINNIA, it is important to securely hang it with aircraft cable that can adequately support its weight. Please note that the electrical wire connected to the light source is not designed to bear the weight of the fully assembled fixture.

Neglecting this precautionary information may lead to a malfunction of the product. We highly recommend consulting a professional electrician to ensure the installation is carried out correctly and to guarantee your utmost satisfaction with the product.

### INSTALLATION COMPLETE.