

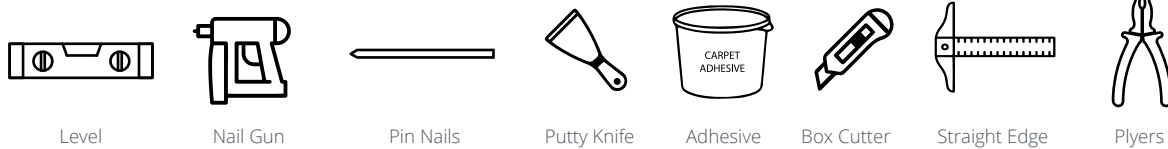
## BRİK Installation

### Acoustical Wall Panels

These installation suggestions consist of a common process for wall panel installation. Installers should rely upon their own professional experience and understanding of their unique requirements to ensure a successful install.

BRİK panels look best when installed with no gaps between ends or rows.

#### Tools Needed

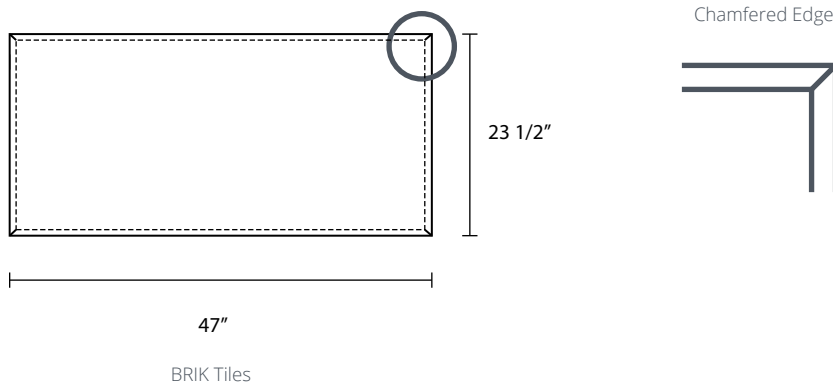


#### Optional Tools

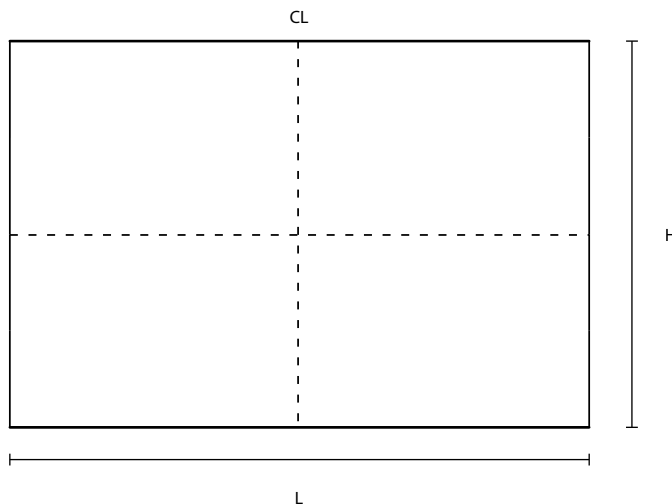


\*Recommended: Roberts 3095 Carpet Adhesive or Heavy duty Liquid Nail

#### Items Included



1. Measure the length and height of the wall. Find center of the wall.

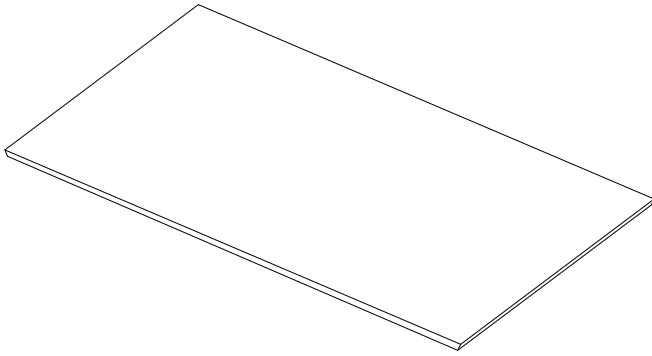


## BRIK Installation

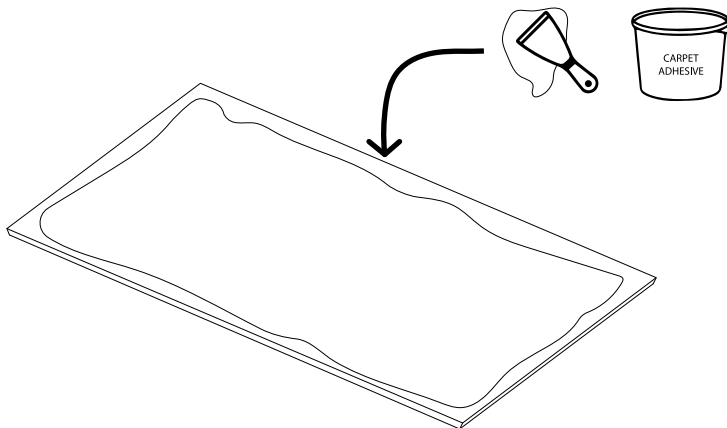
Acoustical Wall Panels

---

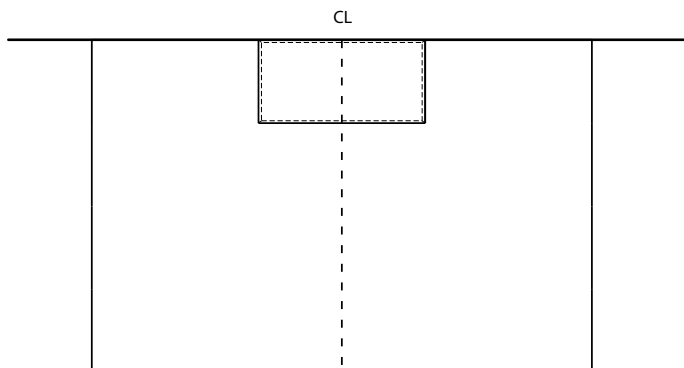
2. Lay down the BRIKs on the ground and flip the chamfered edge down.



3. Use the putty knife to place the carpet adhesive to one BRIK at a time. Use the putty knife to apply the carpet adhesive to the back of each BRIK one at a time. Adhesive has 20-25 minutes of working time.



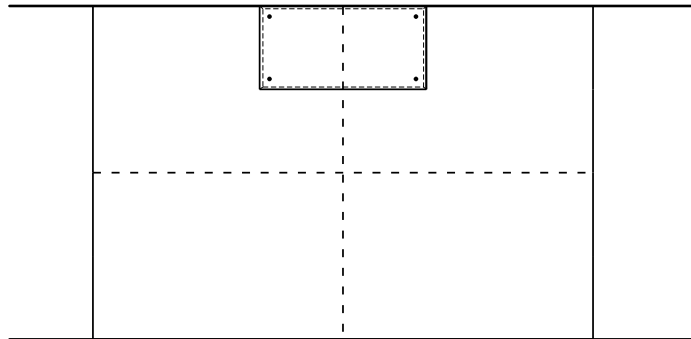
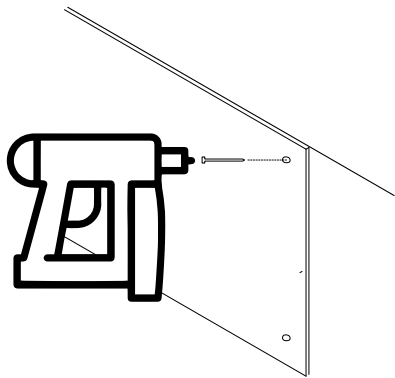
4. Position the BRIK on the wall.



## BRİK Installation

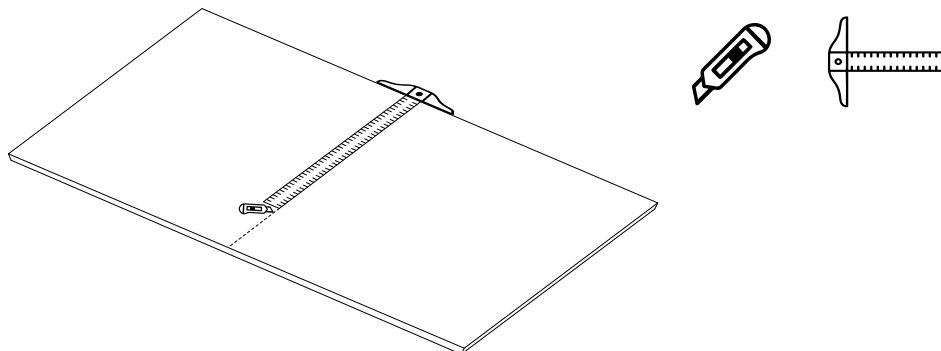
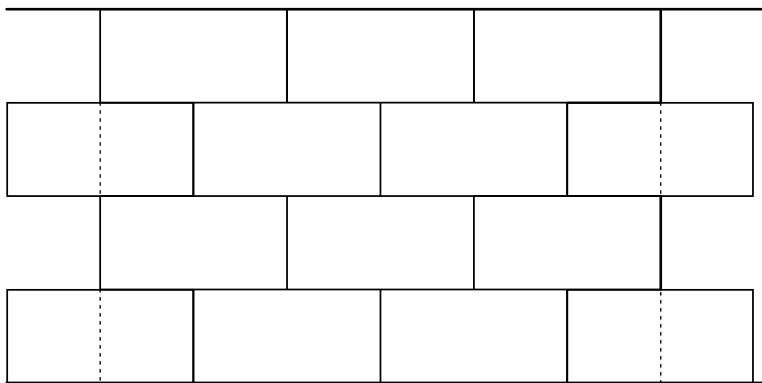
Acoustical Wall Panels

5. Use nail gun to put finishing nails on the four corners to hold the BRİK until the adhesive is dry.



6. Use a box cutter and metal ruler to make cuts to fit the wall.

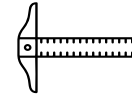
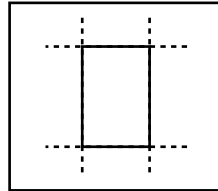
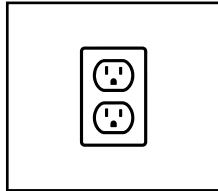
Tip for clean edges: Use smooth continued motion to cut through half the thickness of the material; using the edge of the ruler as your guide. Go over the same line again to complete the cut.



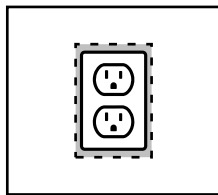
## BRIK Installation

### Acoustical Wall Panels

6a. Follow instructions in step #6. for cuts around outlets, etc.



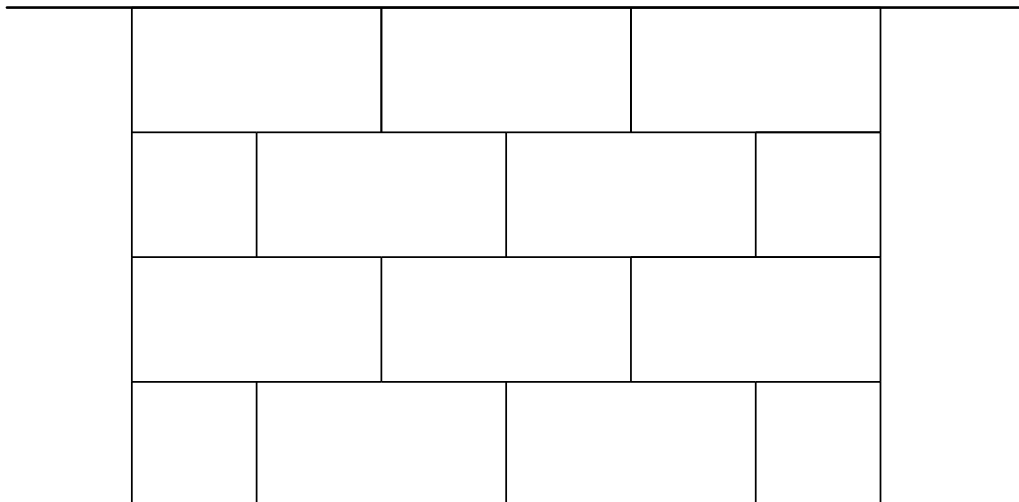
Tip: Matching paint color can be used on the wall around outlets or anywhere where BRIK tiles are not fitting snugly to each other. This can happen when doing complex cuts or when your wall has imperfections or is not at a perfect 90 degree angle. This small trick will stop any white wall peeking through.



7. Once adhesive has dried, use pliers to remove the fine nails.



8. BRIK wall is complete.



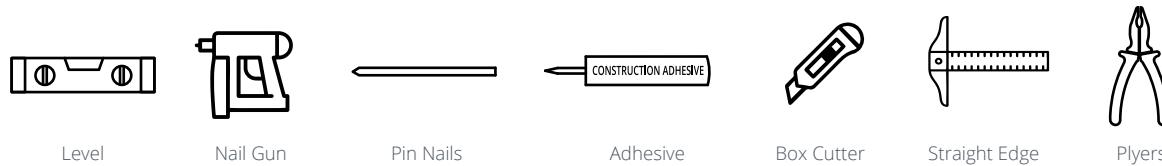
## BRIK Installation with Furring Strips

### Acoustical Wall Panels

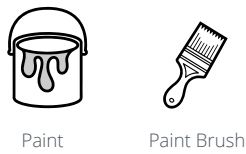
These installation suggestions consist of a common process for wall panel installation. Installers should rely upon their own professional experience and understanding of their unique requirements to ensure a successful install.

BRIK panels look best when installed with no gaps between ends or rows.

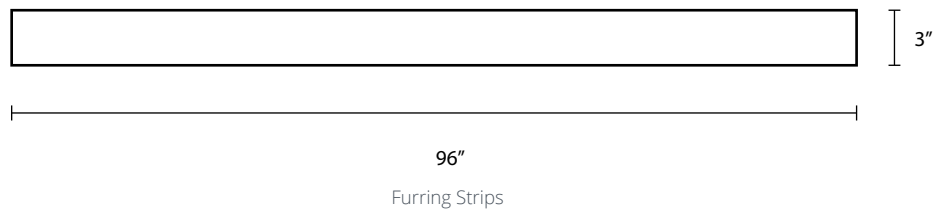
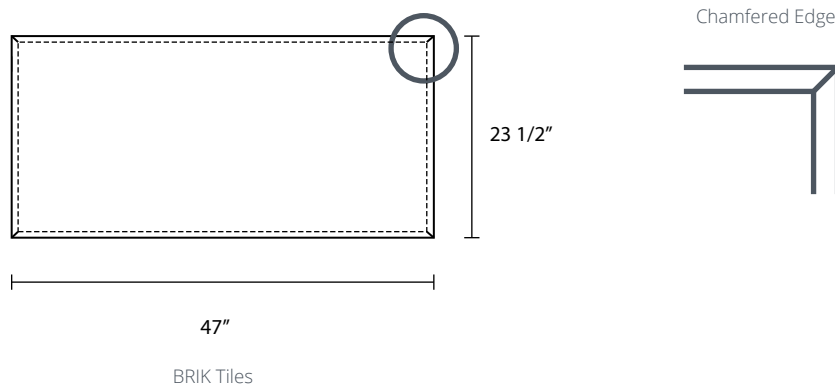
### Tools Needed



### Optional Tools



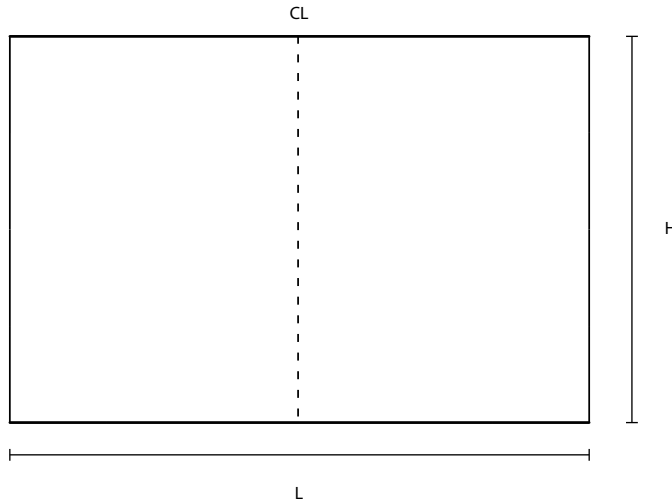
### Items Included



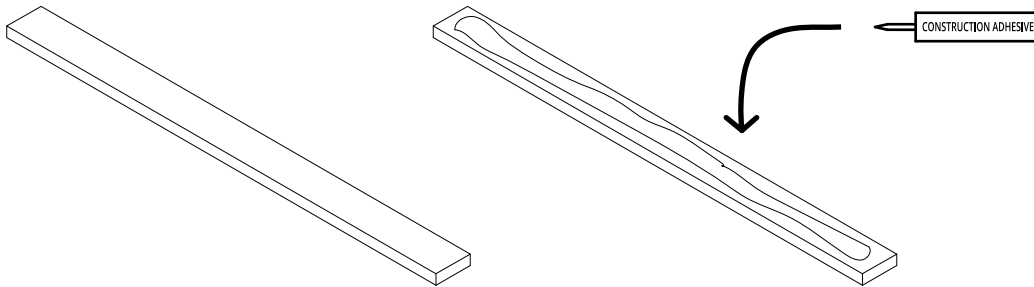
## BRİK Installation with Furring Strips

Acoustical Wall Panels

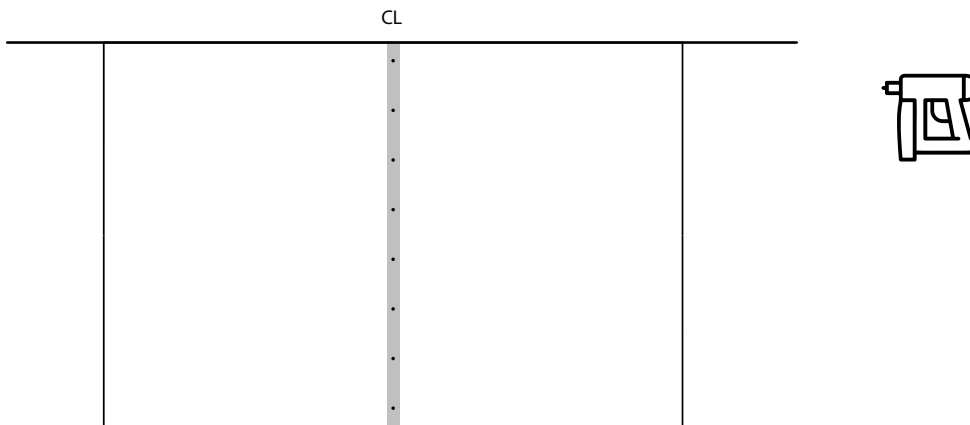
1. Measure the length and height of the wall.



2. Lay down the furring strips on the ground and apply adhesive to the back.



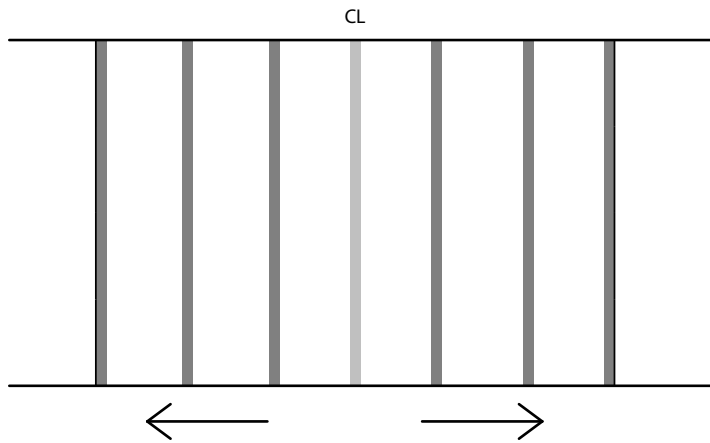
3. Place the first vertical furring strip on the center of the wall. Use nail gun to attach furring strip.



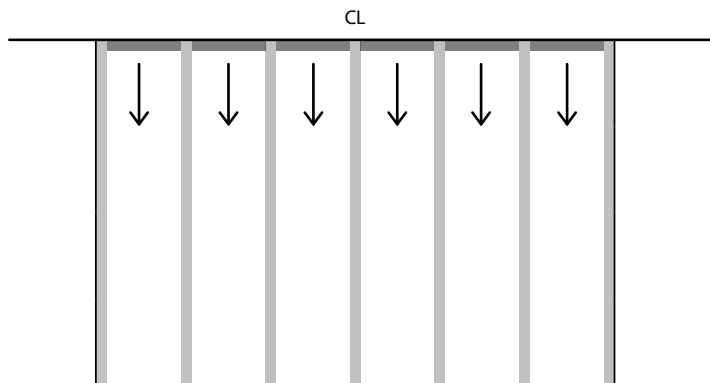
## BRIK Installation with Furring Strips

### Acoustical Wall Panels

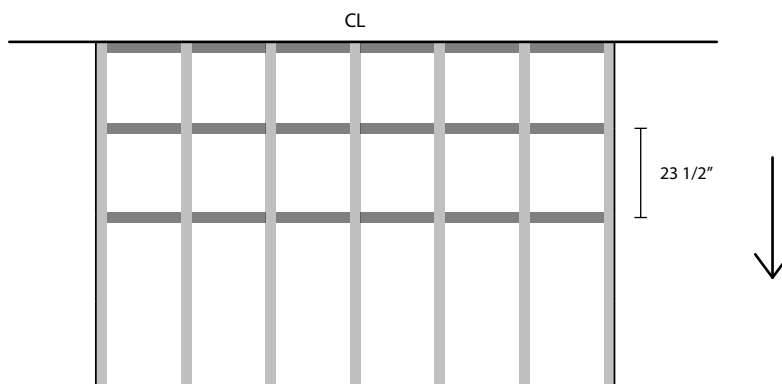
4. Place vertical furring strips 23 1/2" apart starting in the center and working outward. Cut the material to match the height of the wall.



5. Place the first row of horizontal furring strips flush with the top of the wall.



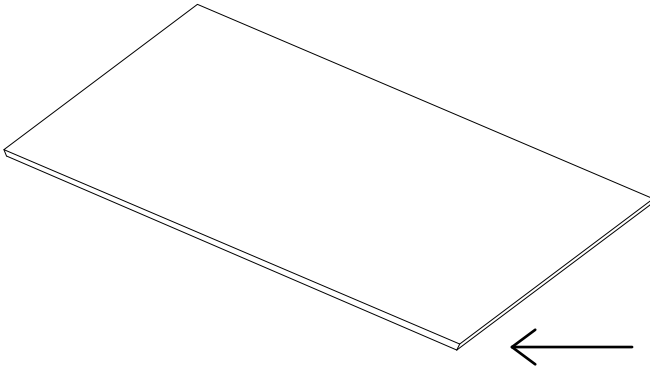
6. Place horizontal furring strips 23 1/2" apart starting at the top of the wall working downward.



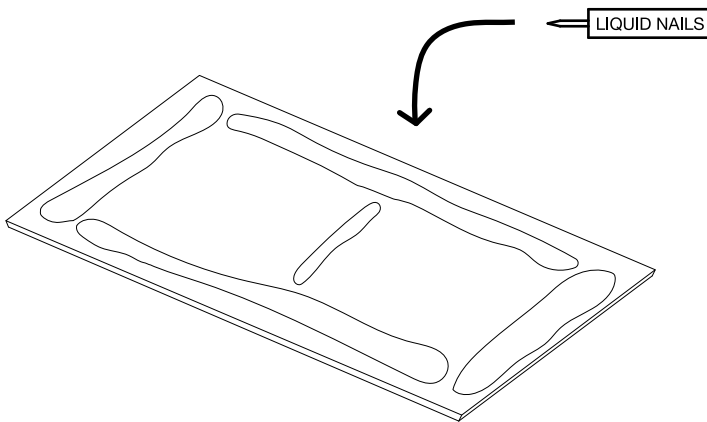
## BRIK Installation with Furring Strips

Acoustical Wall Panels

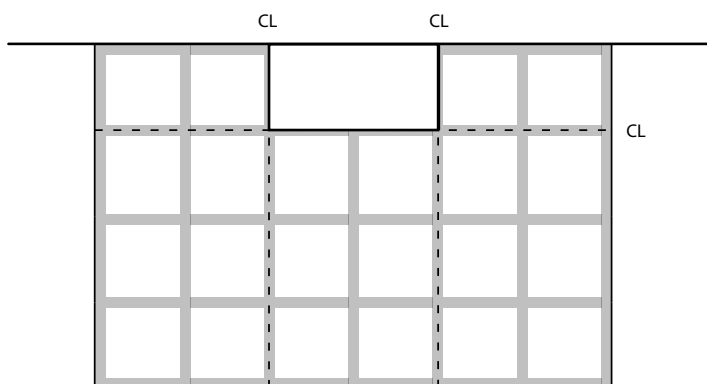
- Lay down the BRIKs on the ground and flip the chamfered edge down.



- Apply liquid nail adhesive at the location of the furring strips.



- Take the first BRIK and align it properly on the furring strip. Use construction adhesive at the location of the furring strip.

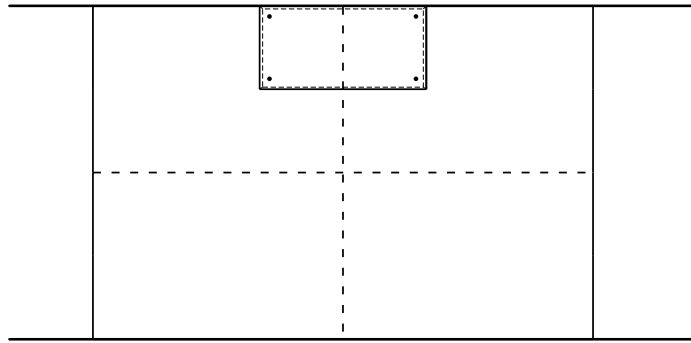
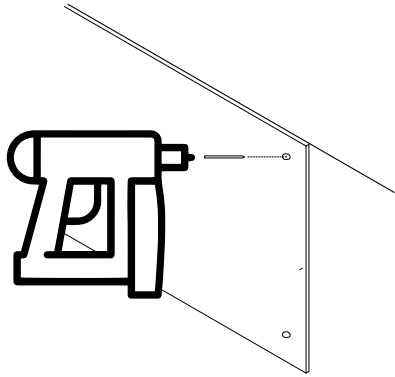




## BRIK Installation with Furring Strips

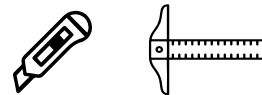
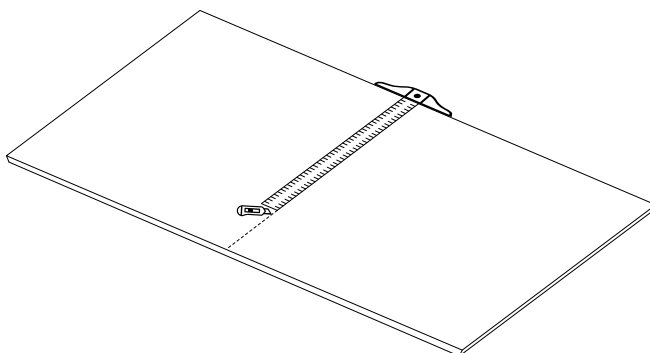
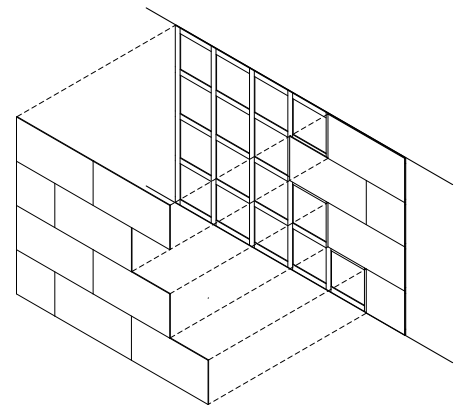
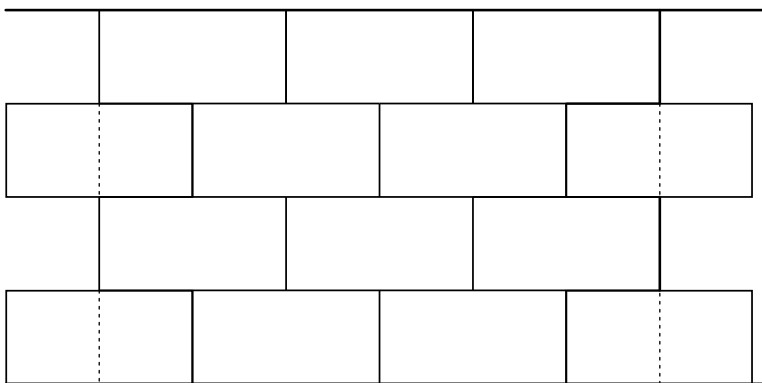
Acoustical Wall Panels

10. You may secure your BRIK to the furring strips with pin nails while adhesive is drying. Make sure to use thin pin nails only; so no marks are left in the material after their removal.



11. Use a box cutter and metal ruler to make cuts to fit the wall.

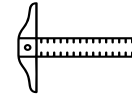
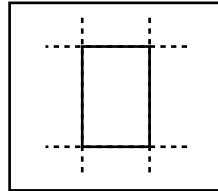
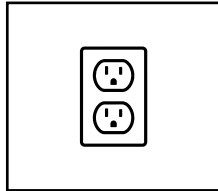
Tip for clean edges: Use smooth continued motion to cut through half the thickness of the material; using the edge of the ruler as your guide. Go over the same line again to complete the cut.



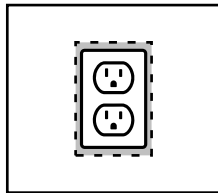
## BRIK Installation with Furring Strips

Acoustical Wall Panels

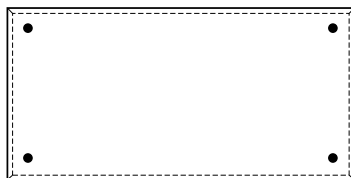
12. Follow instructions in step #11. for cuts around outlets, etc.



Tip: Matching paint color can be used on the wall around outlets or anywhere where BRIK tiles are not fitting snugly to each other. This can happen when doing complex cuts or when your wall has imperfections or is not at perfect 90 degrees. This small trick will stop any white wall peeking through.



14. Once all BRIKs are dried, use pliers to remove the pin nails.



## BRIK Installation with Furring Strips

Acoustical Wall Panels

---

15. BRIK wall is complete.

