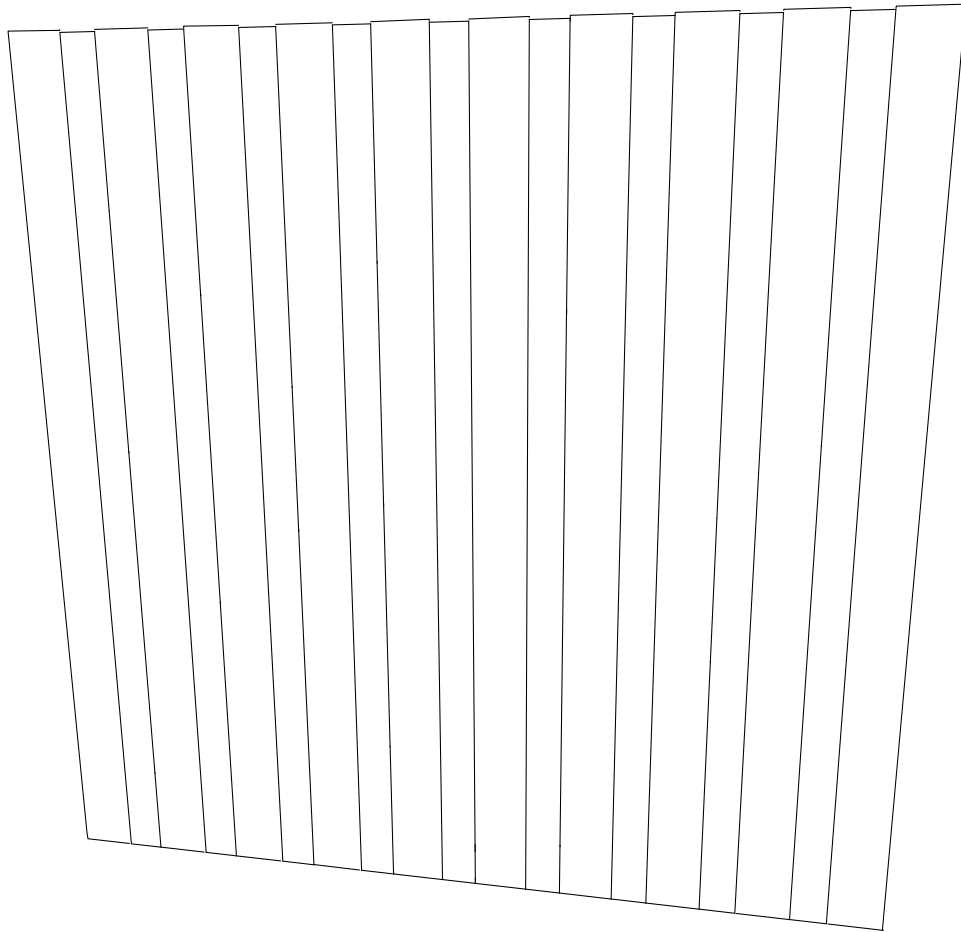


FAZR WALL

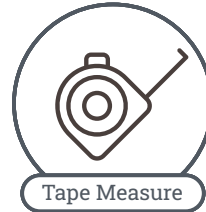
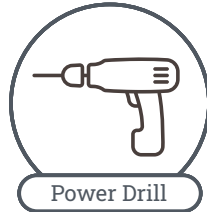
INSTALLATION INSTRUCTIONS



FAZR

PART 1: INSTALL ROCKFON® CARRIERS

REQUIRED TOOLS



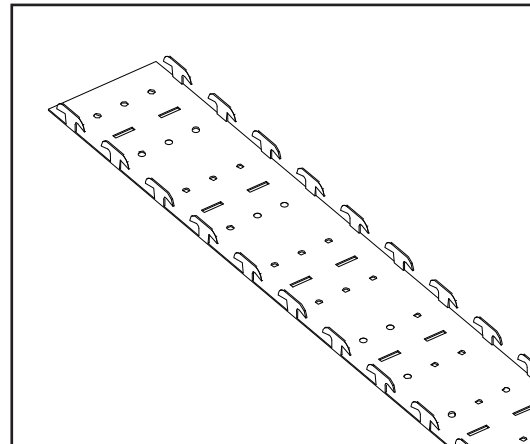
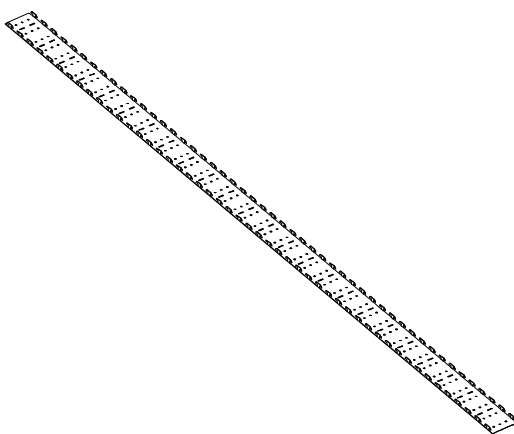
REQUIRED HARDWARE



Screws (based on wall type)

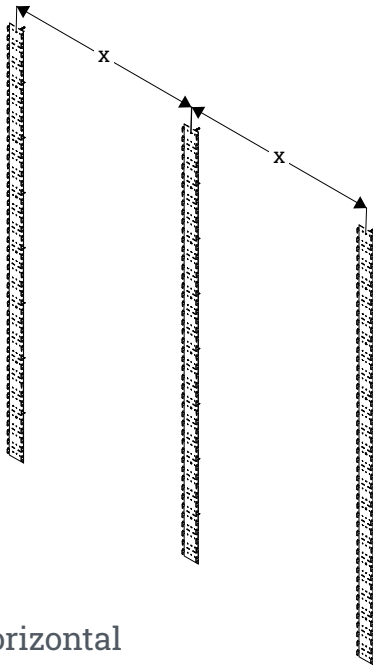
INCLUDED COMPONENTS

Carriers come in 98" length and can be cut in field. The quantities provided will depend on the quantity ordered.

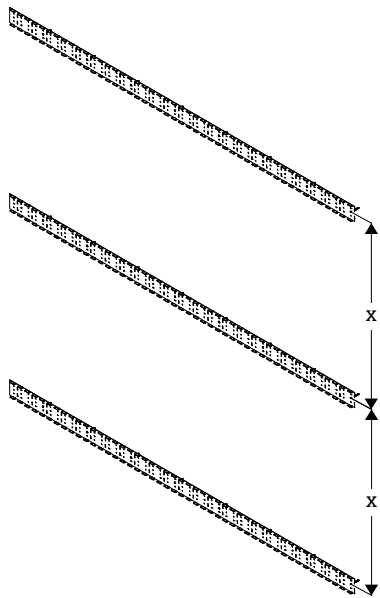
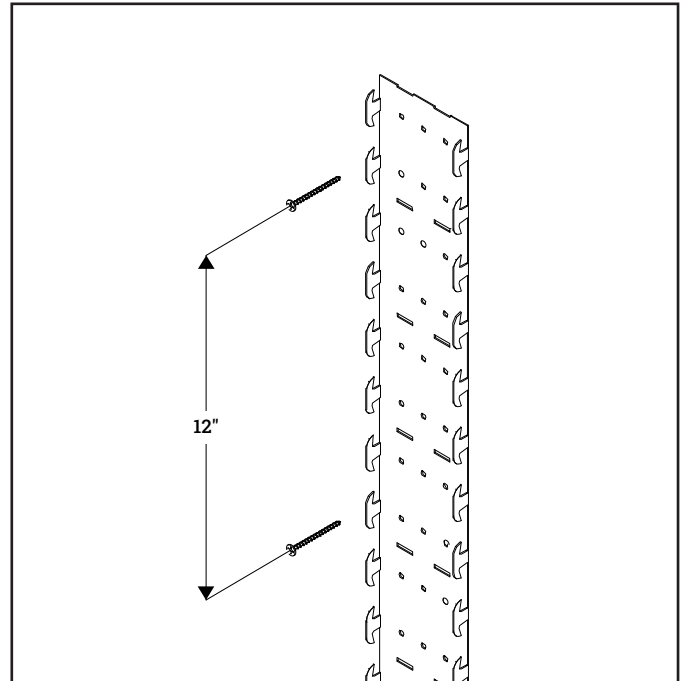


FAZR | PART 1: INSTALL ROCKFON® CARRIERS

- 1 Determine the location and orientation of the carriers. Carriers must be installed perpendicular to the FAZR. Carriers should be equally spaced. Screws should be installed 12" apart, through the holes in the carriers.



FAZR Horizontal



FAZR Vertical

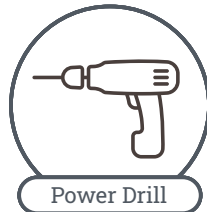
FAZR

PART 2: INSTALL FAZR TRAPEZOIDS

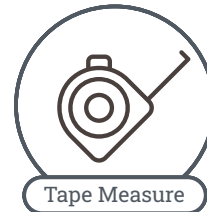
REQUIRED TOOLS



Utility Knife

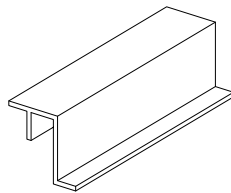


Power Drill

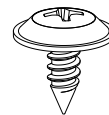


Tape Measure

INCLUDED HARDWARE



PVC Extrusion

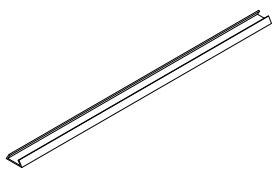


Sheet metal screws

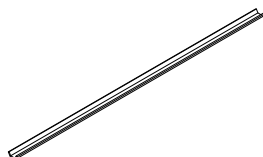
INCLUDED COMPONENTS

Trapezoids come in 95" length and are cut in field. Configuration ordered determines width of trapezoids. The quantities provided will depend on the quantity ordered.

[Config 1]

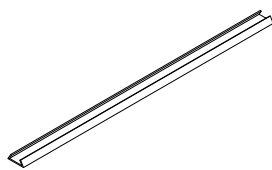


Trapezoid
[Type 1]

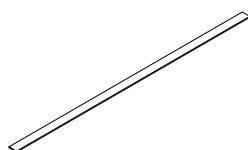


Trapezoid
[Type 2] (filler)

[Config 2]

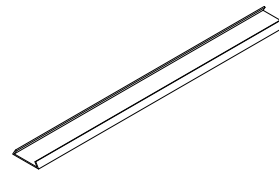


Trapezoid
[Type 1]

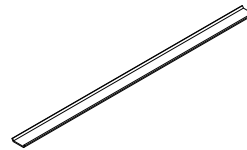


Flat Filler

[Config 3]

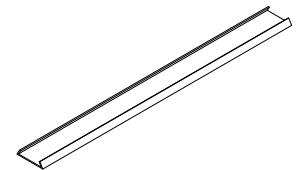


Trapezoid
[Type 3]

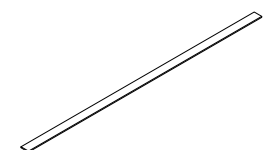


Trapezoid
[Type 4] (filler)

[Config 4]



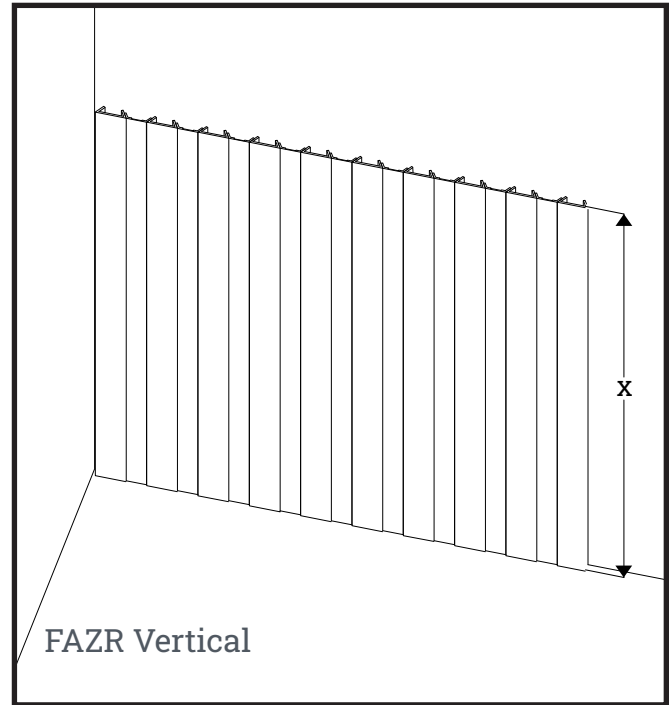
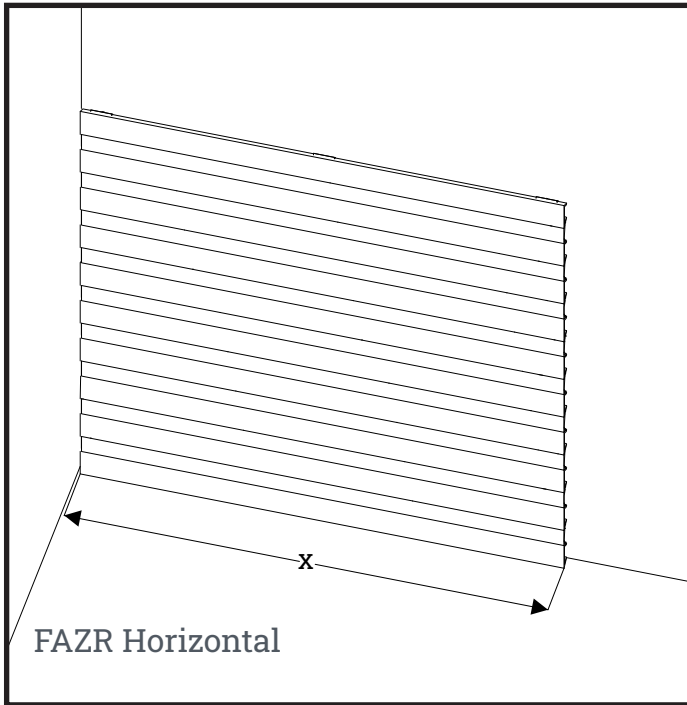
Trapezoid
[Type 3]



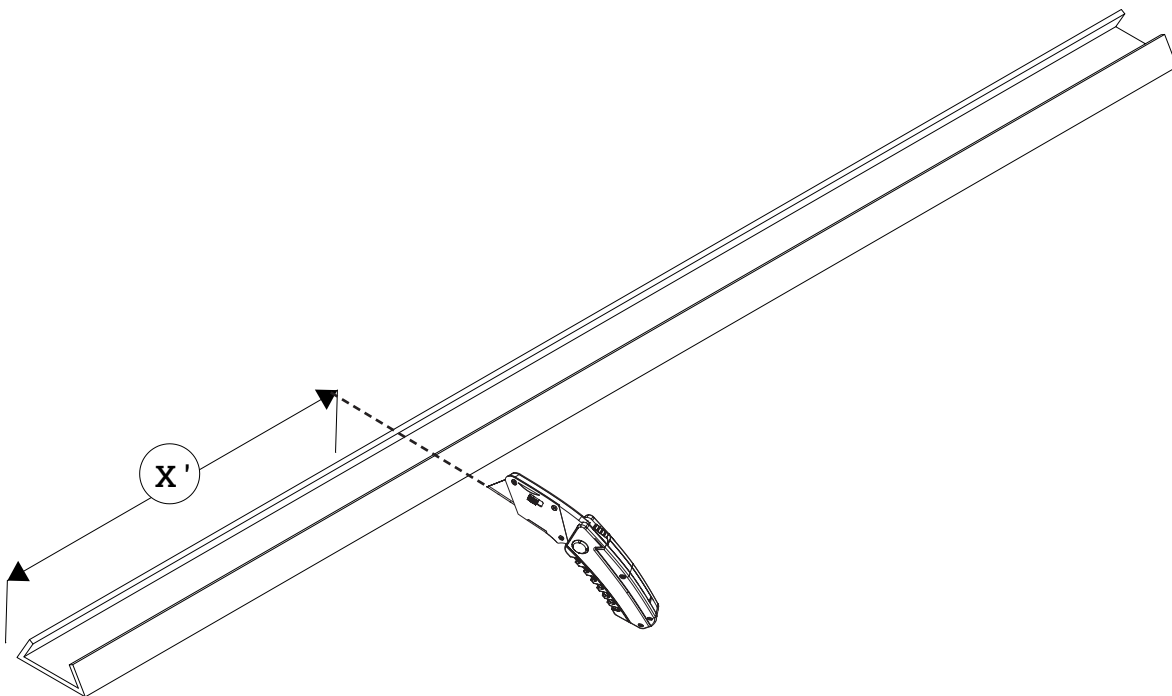
Flat Filler

FAZR | PART 2: INSTALL FAZR TRAPEZOIDS

- 1 Determine the finished length and the amount to be cut and discarded from each trapezoid to accomplish the desired layout.

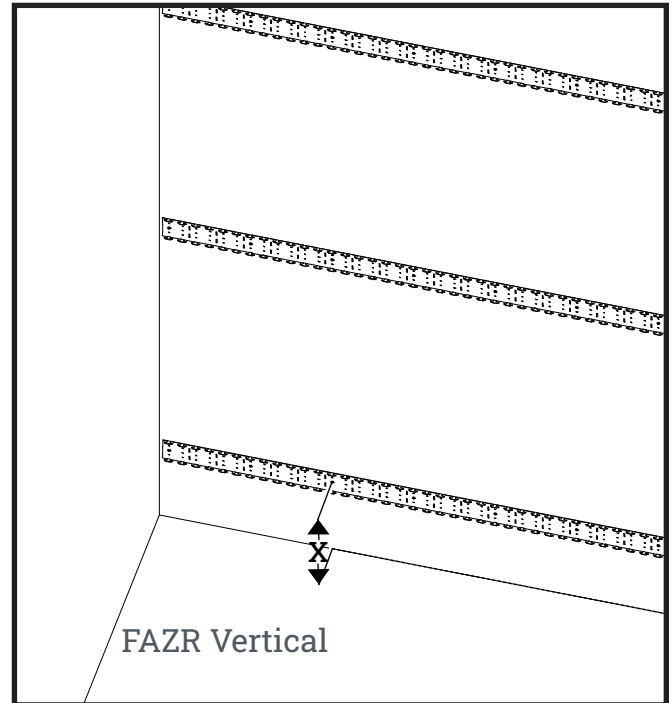
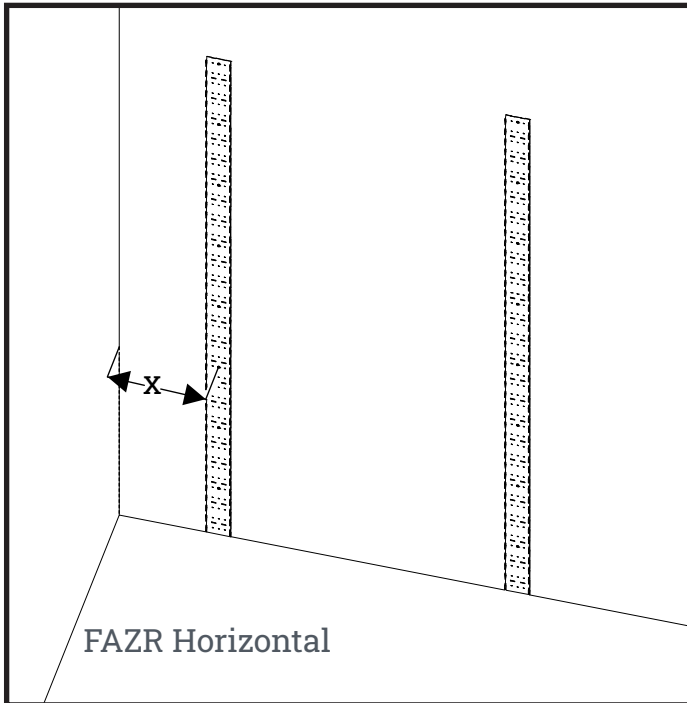


- 2 Cut the determined amount using a utility knife and a straight edge. Repeat for remaining trapezoids, including the fillers [Type 2 and Type 4].

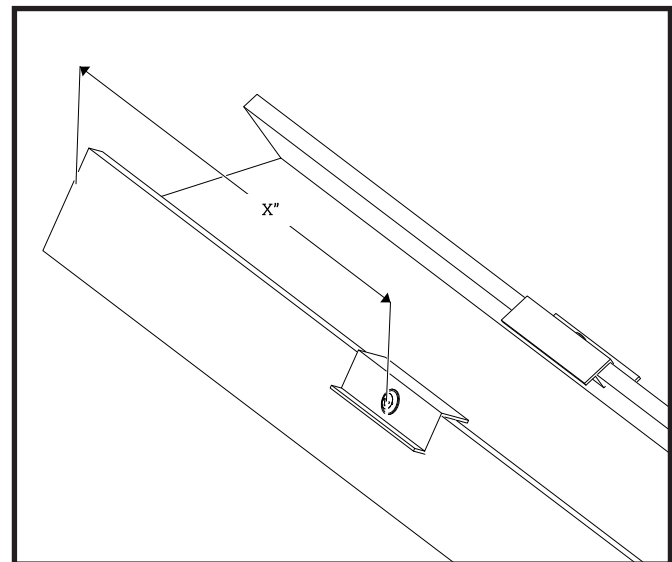
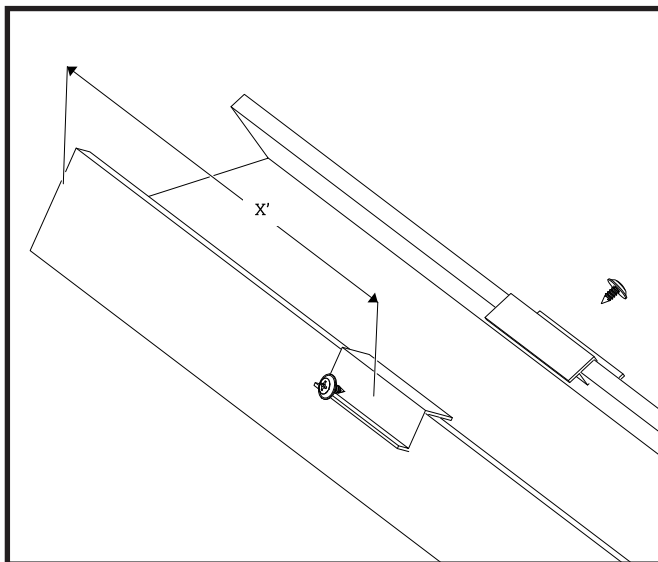


FAZR | PART 2: INSTALL FAZR TRAPEZOIDS

- 3** Measure the distance between the end point and the center of first carrier.

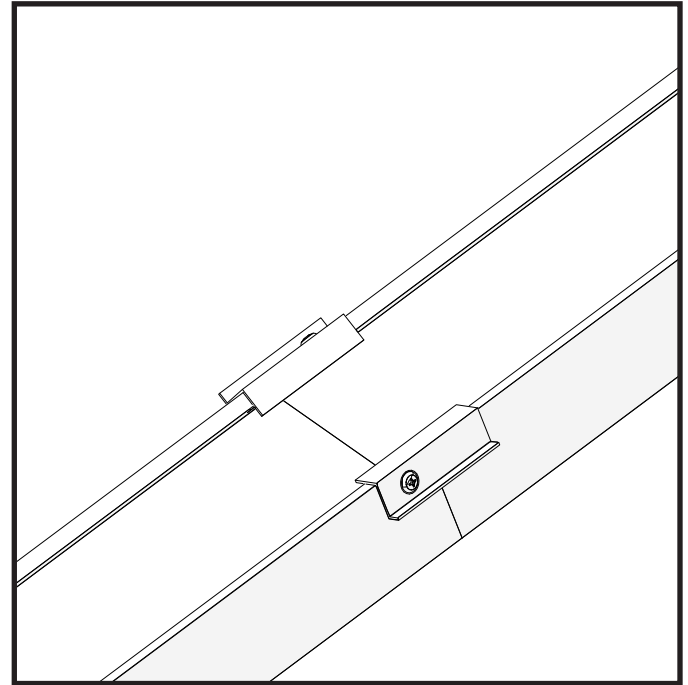
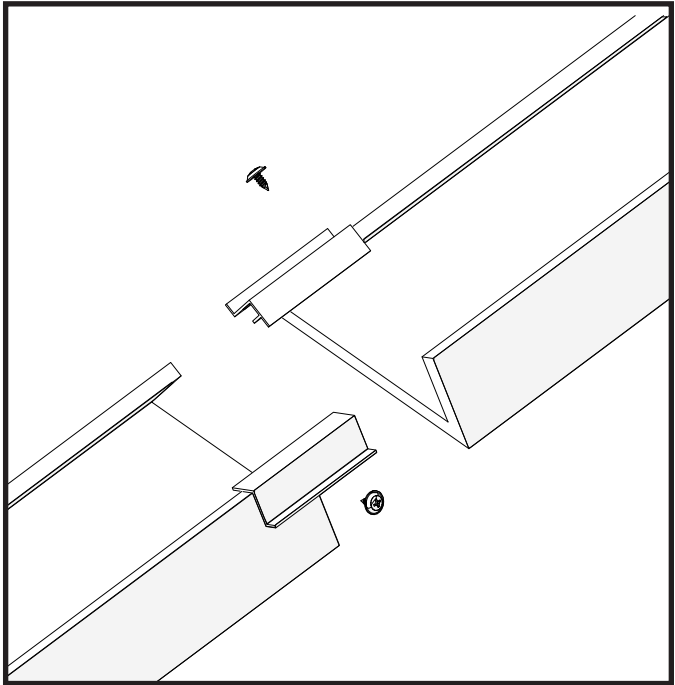


- 4** Place 2 PVC extrusions on the Trapezoid [Type 1/3] as shown. The center of the extrusion should be at the distance determined in the previous step. Screw the self-tapping sheet metal screws in the the sides of the extrusions until tight. Do not overtighten!

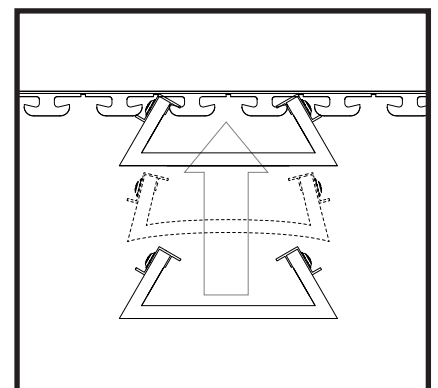
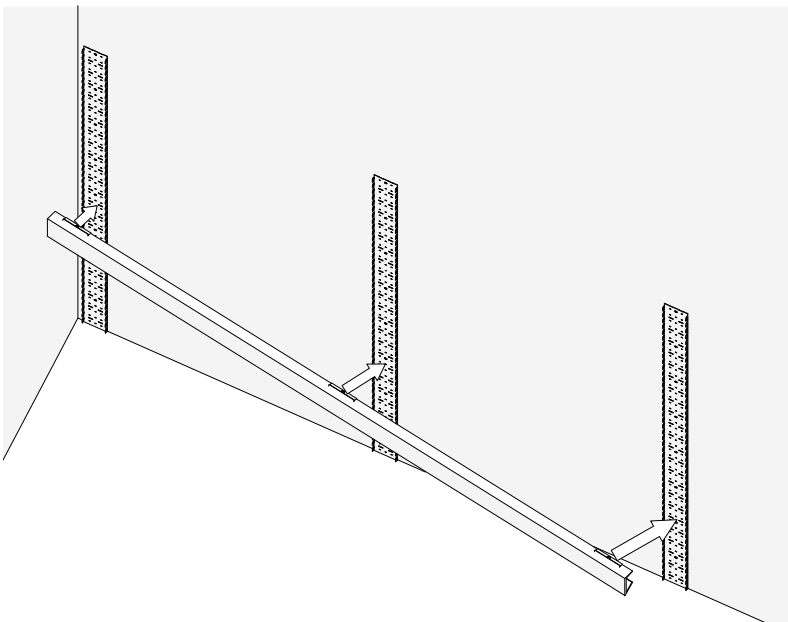


FAZR | PART 2: INSTALL FAZR TRAPEZOIDS

- 5** Joining split Trapezoids can be done as shown, by fastening one extrusion on each Trapezoid, one on each side, with the middle of the extrusion falling on the end of the Trapezoid. The two Trapezoids can then be joined together using friction.

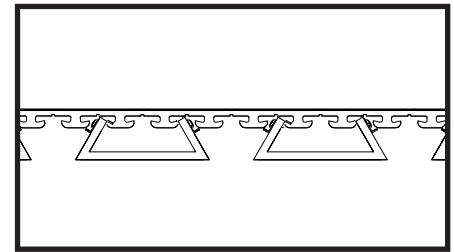
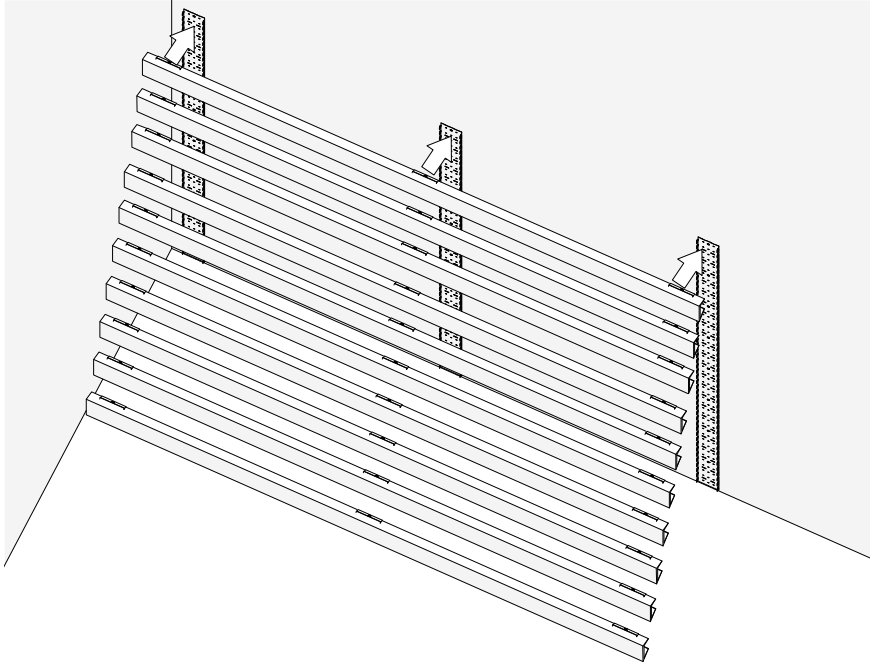


- 6** Insert one end of the Trapezoid [Type 1/3] into the carrier, hooking the PVC extrusion on either side of the metal hooks. Work down the length of the Trapezoid [Type 1/3] until it is fully seated in the metal carrier. Repeat for the remaining Trapezoids [Type 1/3].
Helpful Tip: the PET is flexible and can be flexed to fit the PVC extrusions into the metal hooks.

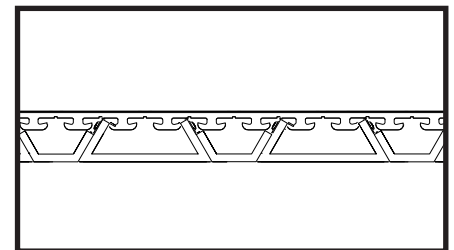
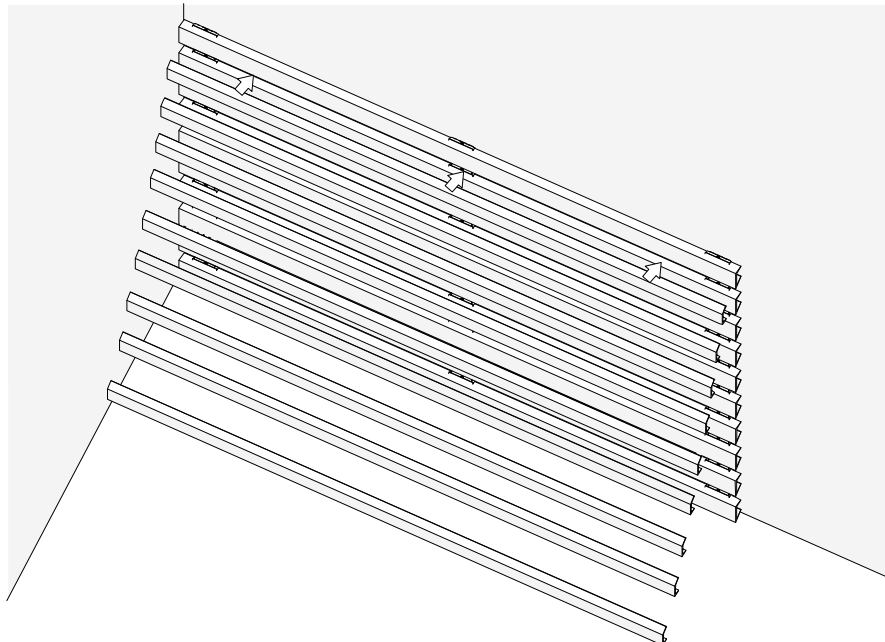


FAZR | PART 2: INSTALL FAZR TRAPEZOIDS

7 Repeat for the remaining Trapezoids [Type 1/3].



8 Filler Trapezoids [Type 2/4] or Flat Fillers can now be installed. Push in the legs of the filler Trapezoids [Type 2/4] and fit it between the installed Trapezoids [Type 1/3]. Work down the length until the filler Trapezoids [Type 2/4] are properly seated. Repeat for the remaining filler Trapezoids [Type 2/4].



PART 2 INSTALLATION COMPLETE.