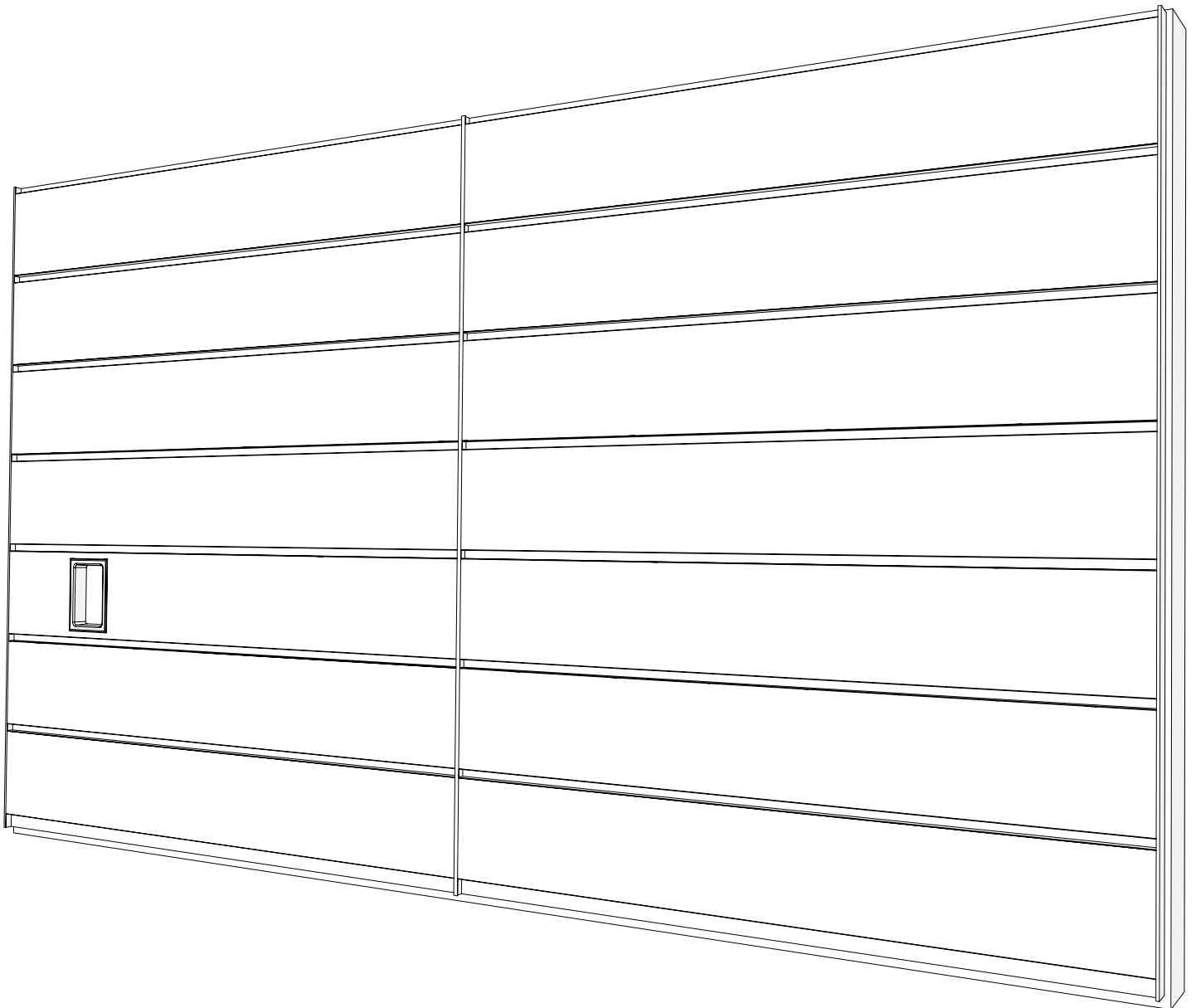


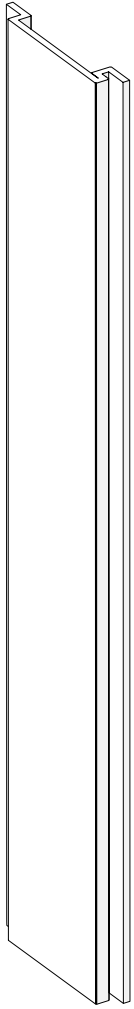
FELTLAP

INSTALLATION INSTRUCTIONS

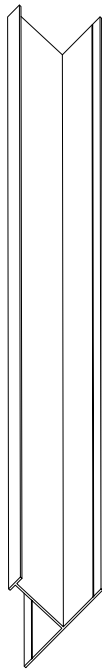


FELTLAP - INCLUDED COMPONENTS

Quantities based on order specifications



FELTLAP Panel



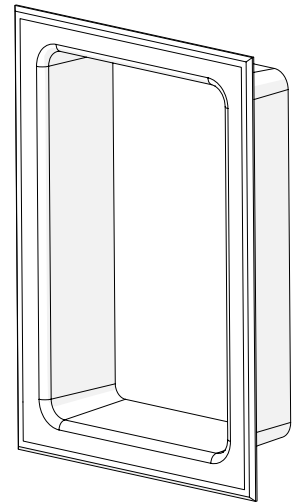
Flannery
[Optional]



Starter Strip



End Strip



Outlet Trim
[Optional]

FELTLAP: INSTALLATION INSTRUCTIONS

REQUIRED TOOLS



Tape Measure



Utility Knife



Jig Saw

If you opt to cut FELTLAP panels with a table saw, Fräsch highly recommends the Rockwell brand BladeRunner model.

Saw blades should be "Knife Edge" and not serrated. We Recommend Bosch "soft material" specialty blades.



Power Drill

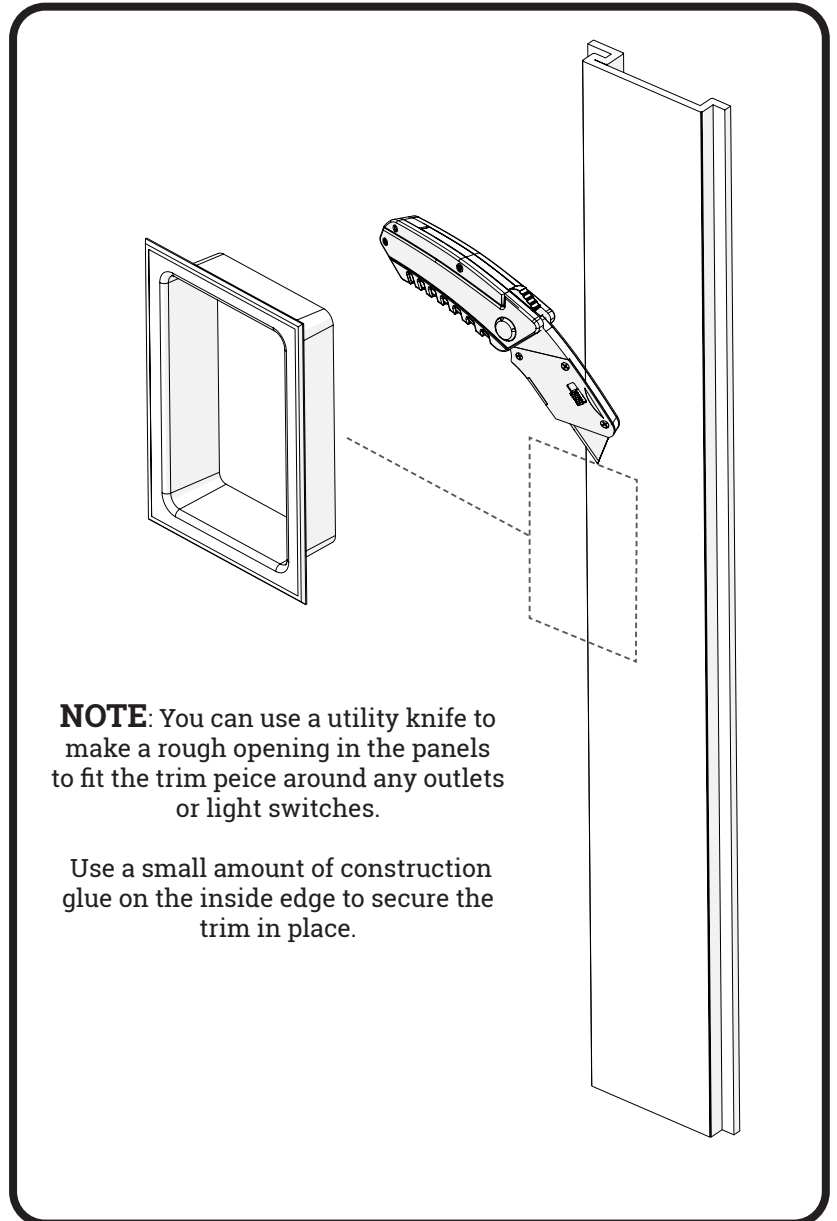
FELTLAP panels can be mounted to the installation surface with brad nails, staples or screws.

A power drill with the appropriate bit is required to drill through holes in flannery extrusions.



Adhesive

Fräsch highly recommends Liquid Nail or other comparable construction grade adhesive for gluing PET support strips to FELTLAP panels.

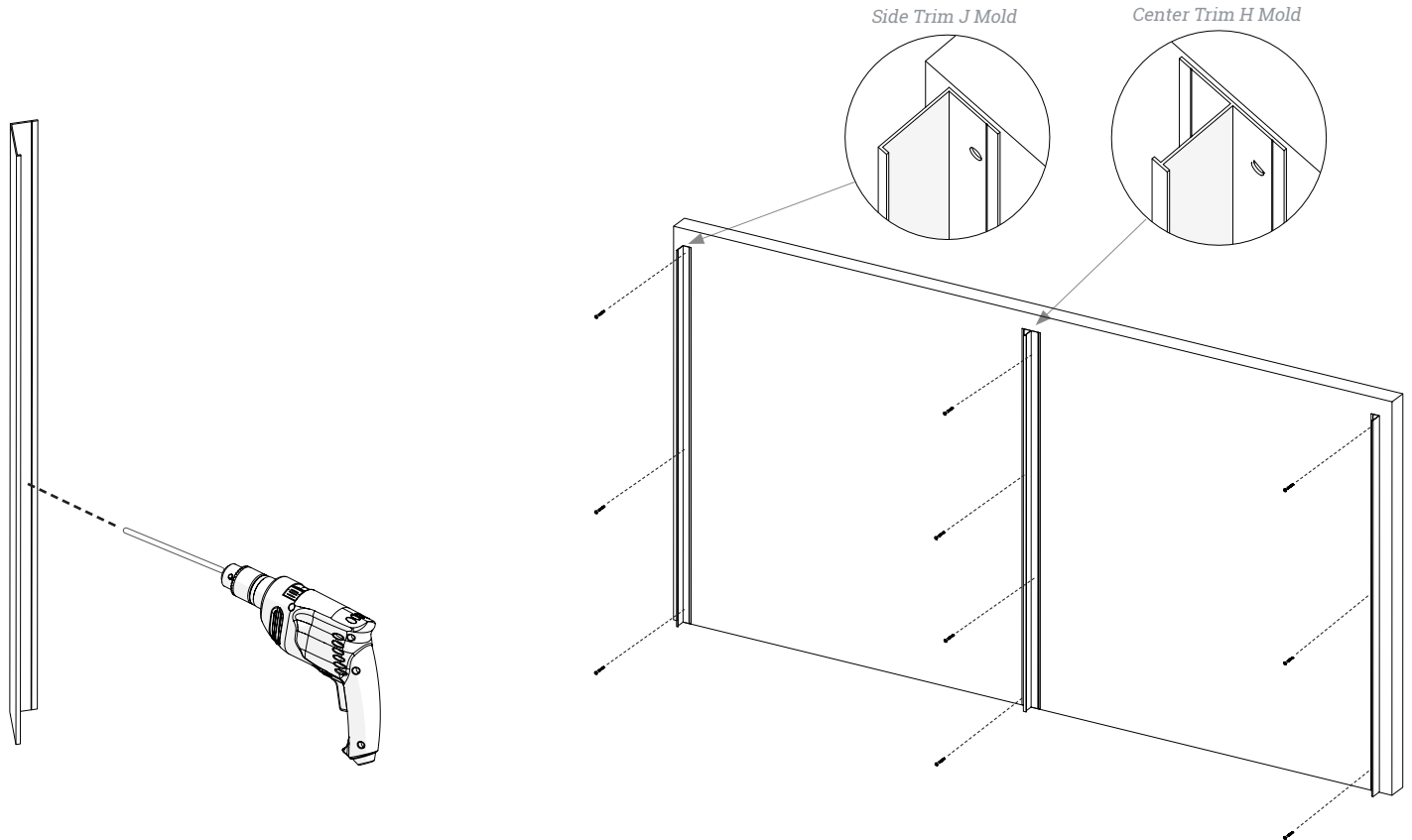


NOTE: You can use a utility knife to make a rough opening in the panels to fit the trim piece around any outlets or light switches.

Use a small amount of construction glue on the inside edge to secure the trim in place.

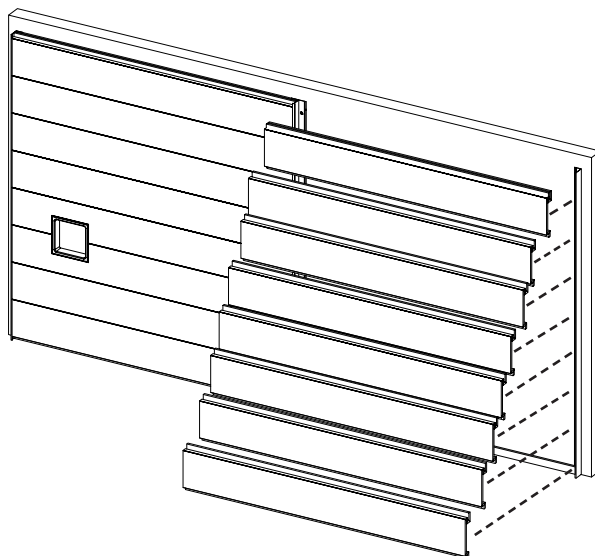
FELTLAP: INSTALLATION INSTRUCTIONS - FLANNERY INSTALLATION

FELTLAP is compatible with aluminum flannery to dress the seams of each panel row. Follow the instructions on this page if your installation includes flannery, or skip to the next page.



A Cut the flannery extrusion to size and drill through holes according to your chosen fastener size.

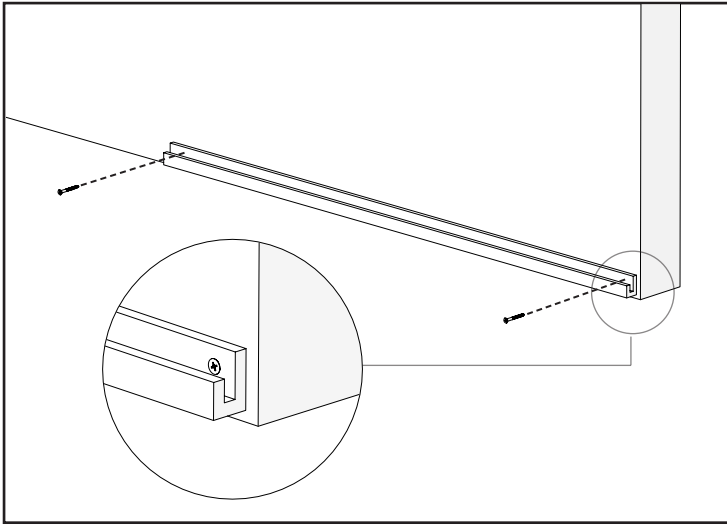
B Take careful measurements according to your installation surface and chosen panel size, and mount the flannery pieces directly to the wall.



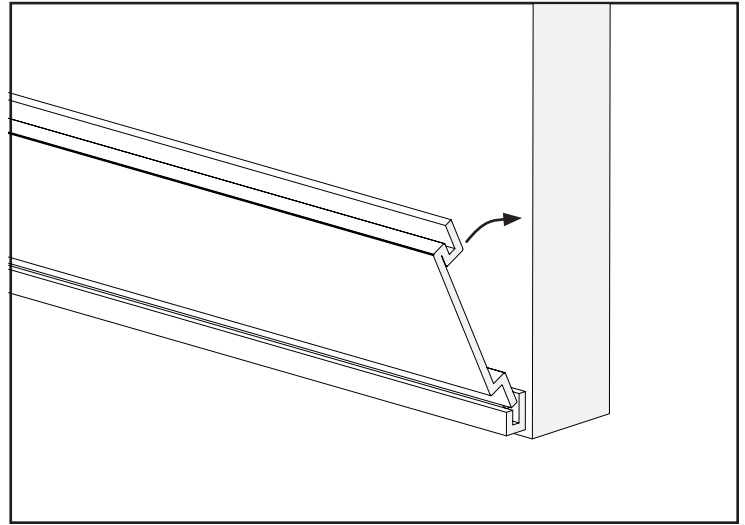
Continue to the next page for details on FELTLAP panel installation in between the flannery.

FELTLAP: INSTALLATION INSTRUCTIONS

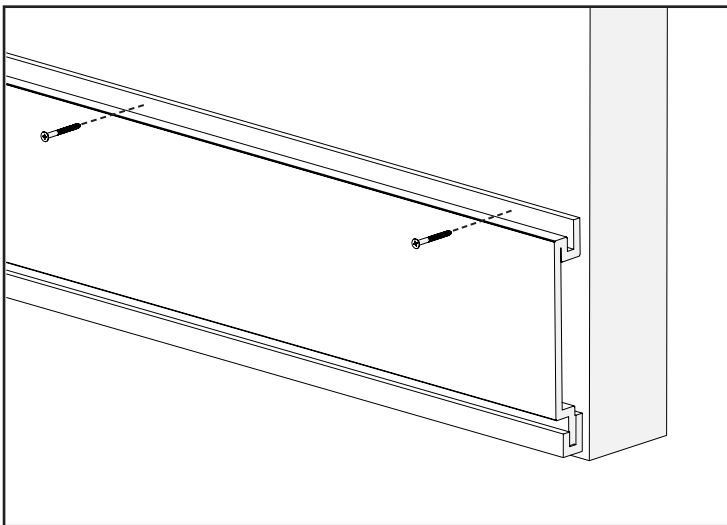
Optional flannery hidden for clarity.



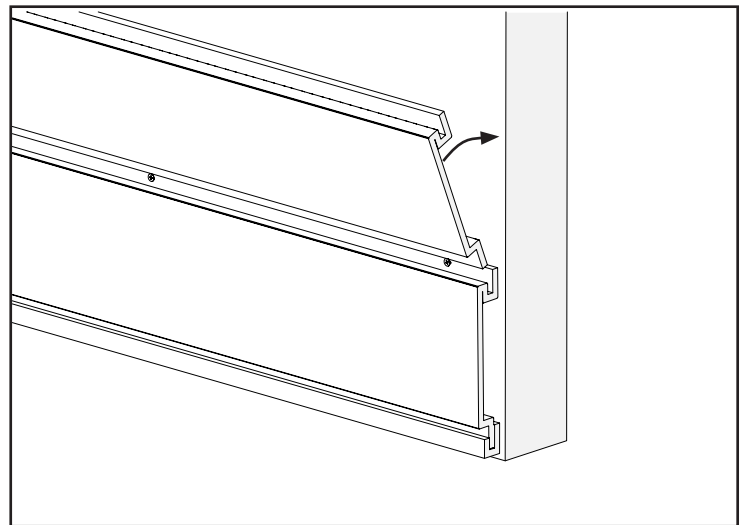
A Install the starter strip along the edge where the first panel is to be installed, using your preferred choice of fastener.



B Tilt in the first panel to join the male edge with the female groove of the starter strip.



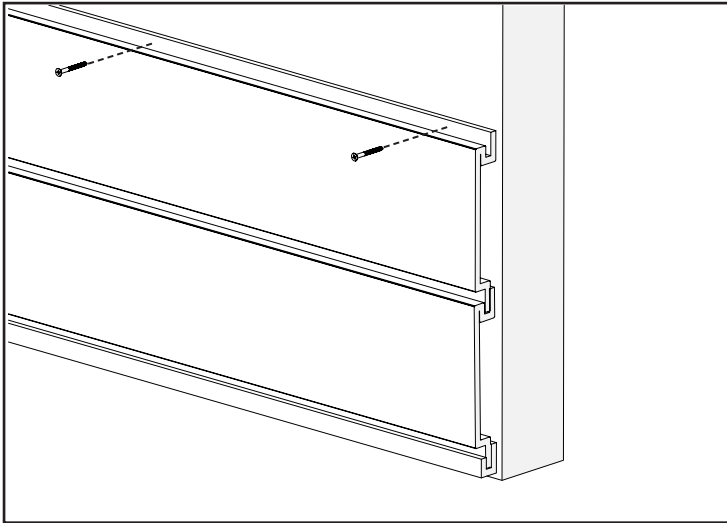
C Fasten the female groove edge to the wall.



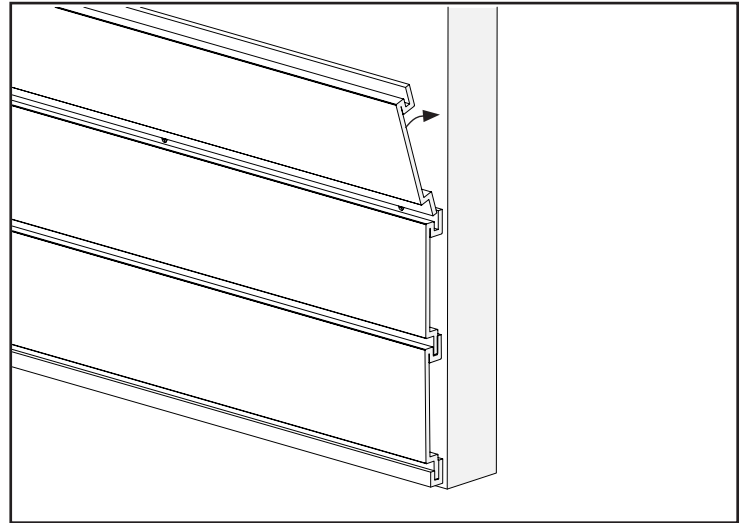
D Tilt in the next panel to join the male edge with the female groove of the first panel.

FELTLAP: INSTALLATION INSTRUCTIONS

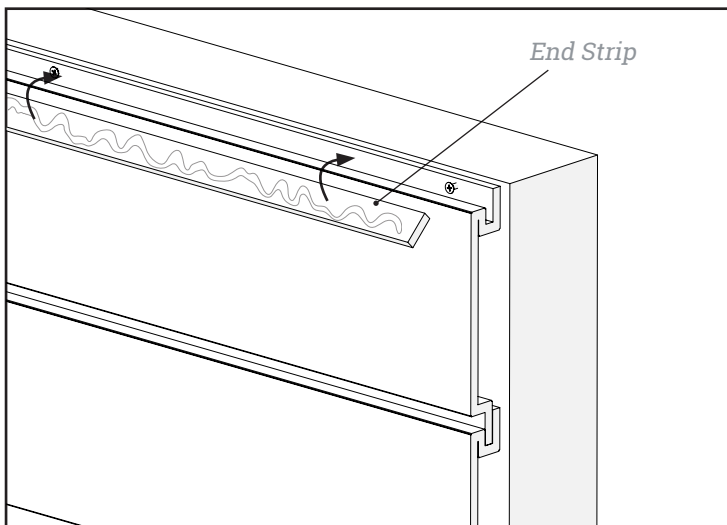
Optional flannery hidden for clarity.



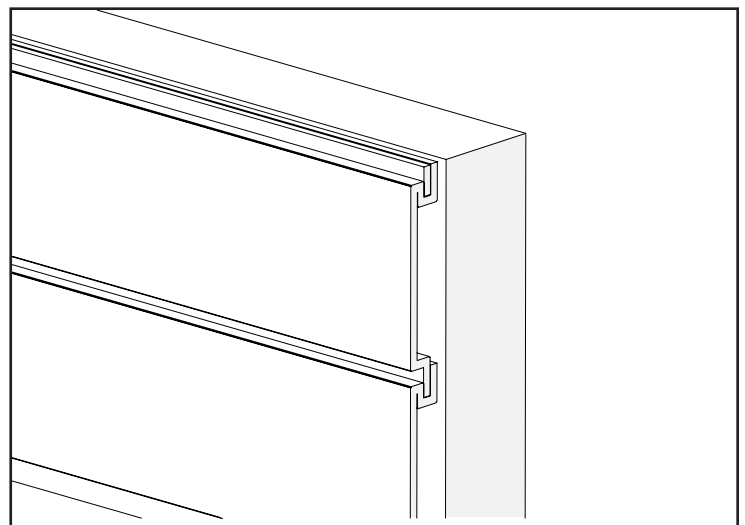
E Fasten the female groove edge of the second panel to the wall.



F Continue installing panels as shown in previous steps, until you reach the final edge.

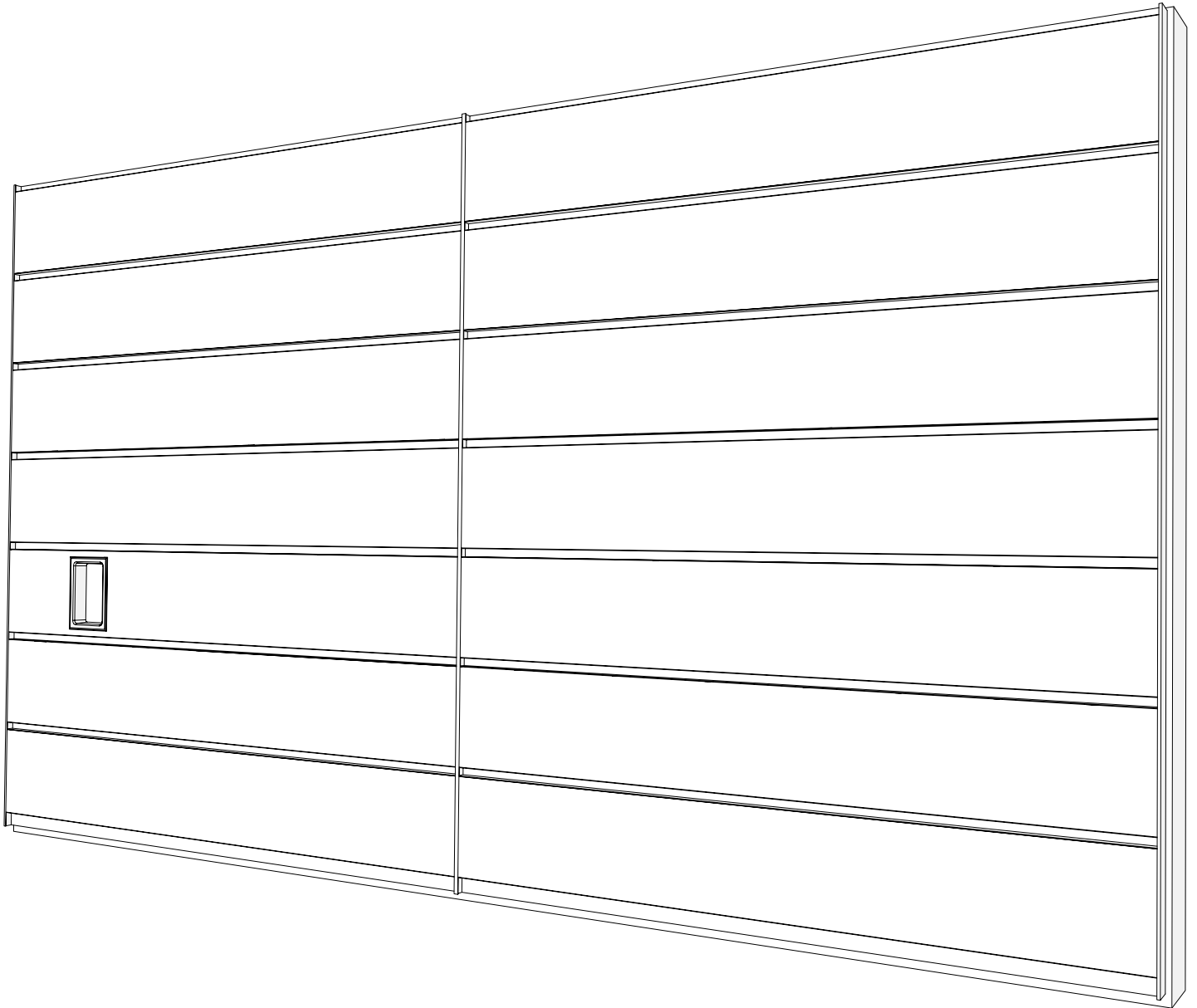


G When the last panel is installed, apply a generous amount of glue to the end strip.



H Insert the end strip into the female groove of the last panel to cover the fastened edge.

FELTLAP: INSTALLATION INSTRUCTIONS



Installation Complete.