

GEAR WALL Installation

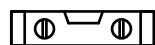
Acoustical Wall Tiles

These installation suggestions consist of a common process for GEAR WALL installation. Installers should rely upon their own professional experience and understanding of their unique requirements to ensure a successful install.

Tools Needed

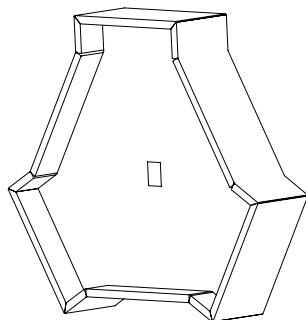


Drill

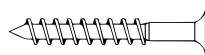


Level

Items Included

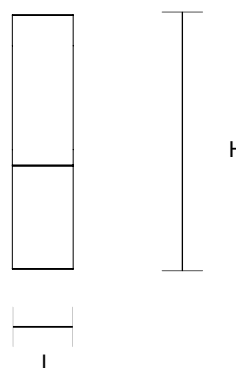
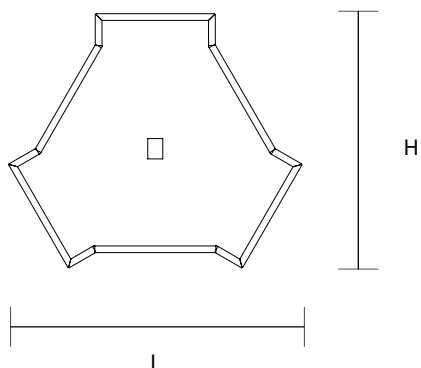


GEAR WALL Tiles



Screws

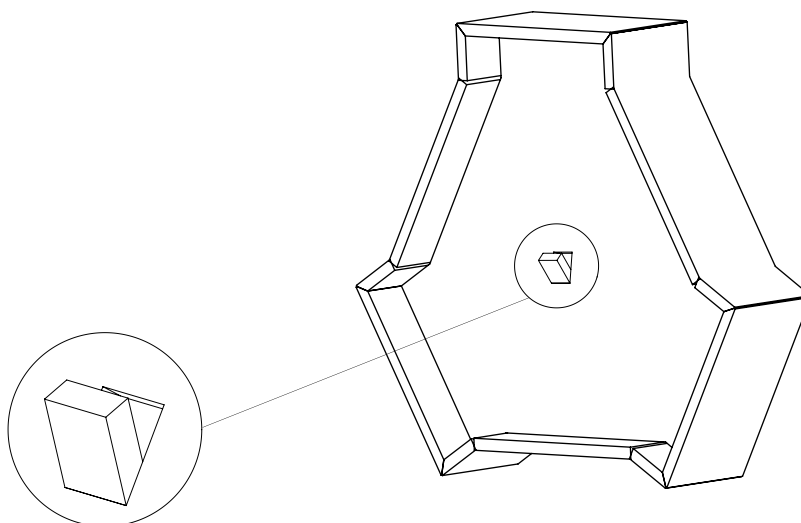
1. Unwrap tiles from plastic wrap. Confirm tile dimensions match your needs.



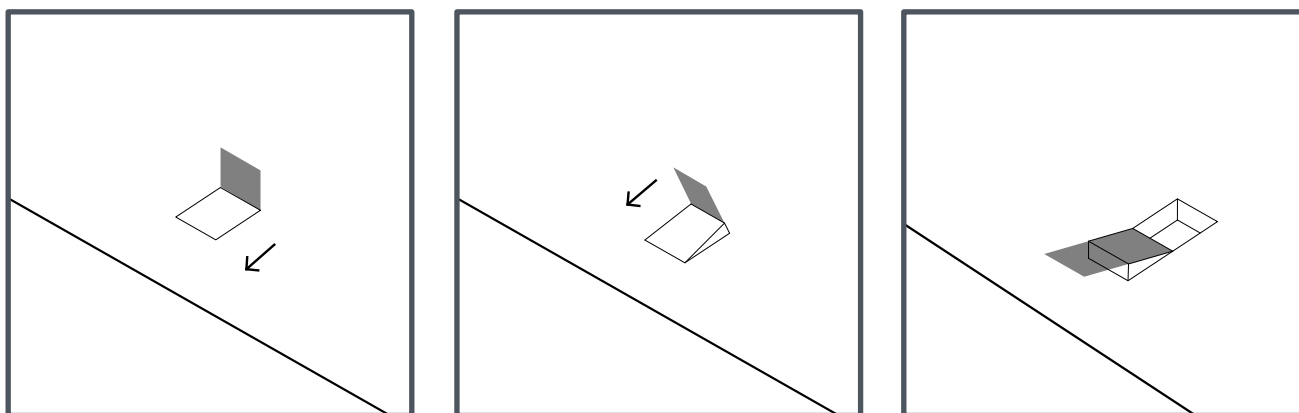
GEAR WALL Installation

Acoustical Wall Tiles

2. Locate the STD strip (Secret Trap Door) at all corners and carefully pull it to open the trap door.



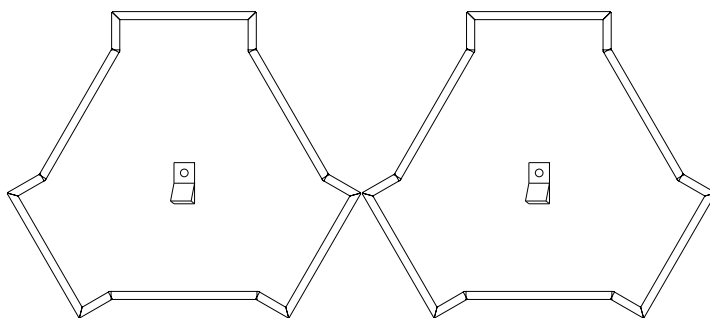
3. Pull the STD (Secret Trap Door) strip to open the trap door - use caution to not tear the hinge off.



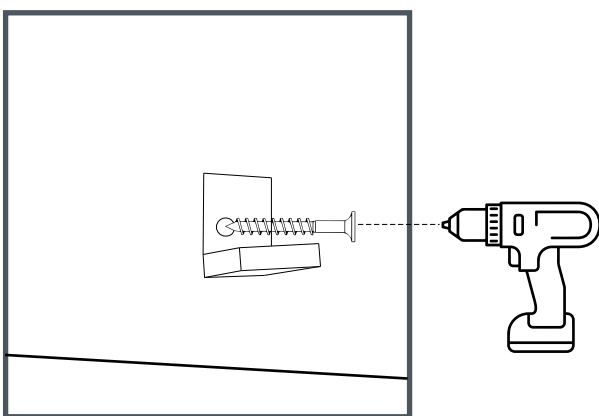
GEAR WALL Installation

Acoustical Wall Tiles

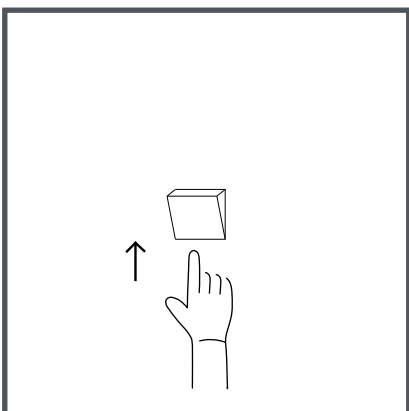
- Pull all the trap doors open before installing.



- Use the drywall screw to mount.



- Close the door to finish installation.



GEAR WALL Installation

Acoustical Wall Tiles

7. Example layout:

