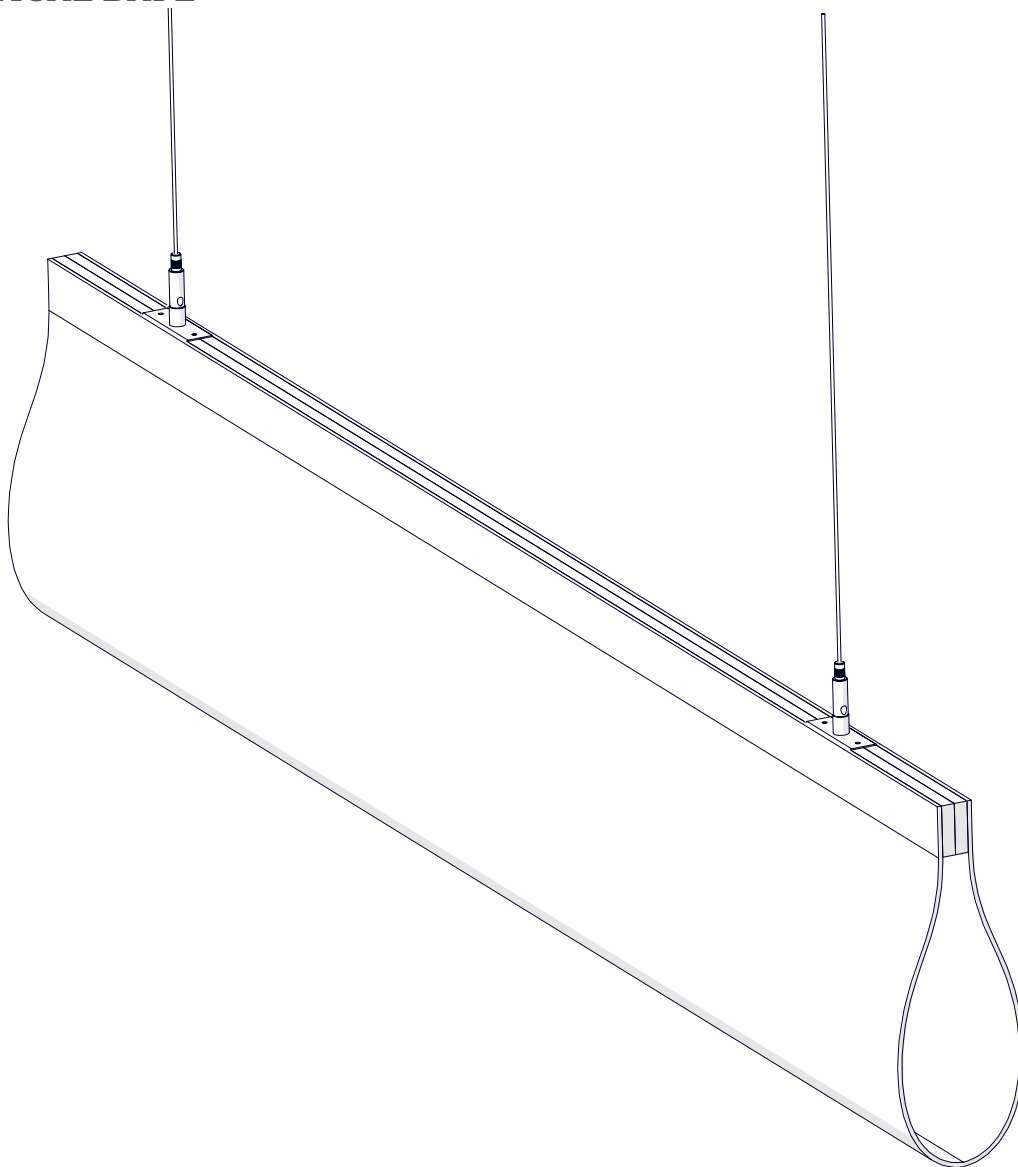
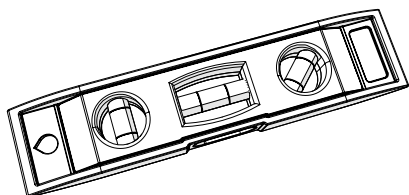


LOOP BAFL: INSTALLATION INSTRUCTIONS

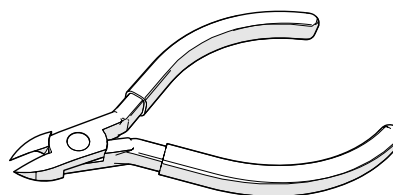
ACOUSTICAL BAFL



REQUIRED TOOLS



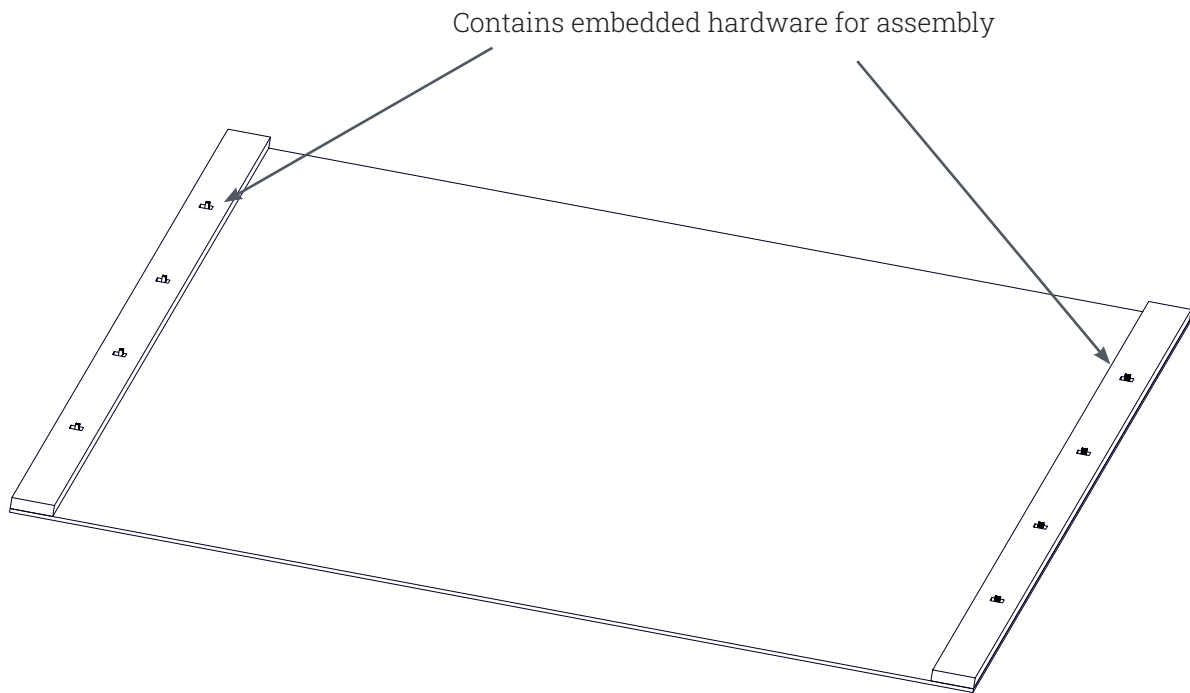
Level



Wire Cutters

LOOP BAFL: INCLUDED COMPONENTS

*****CHECK THE CONTENTS OF YOUR SHIPMENT TO ENSURE ALL COMPONENTS ARE INCLUDED AT TIME OF DELIVERY*****

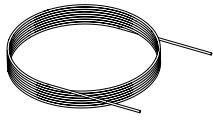


LOOP Sheet Assembly [x1]

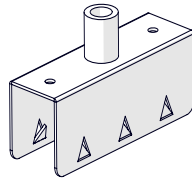
LOOP BAFL: HARDWARE OPTIONS

HARDWARE KIT #LP-BAFL [18MM STANDARD SPIKE BRACKET]

PAGE 7



Aircraft Cable [3ft]



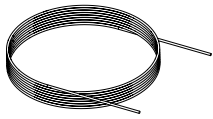
18mm Spike Bracket [x2]



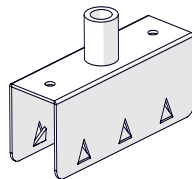
Standard Griplock [x2]

HARDWARE KIT #LP-BAFL + #37 [UNISTRUT]

PAGE 8



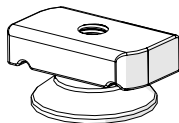
Aircraft Cable [3ft]



18mm Spike Bracket [x2]



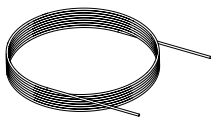
Standard Griplock [x4]



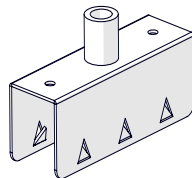
Nylon Cone Nut [x2]

HARDWARE KIT #LP-BAFL + #40 [T-GRID / DROP CEILING]

PAGE 9



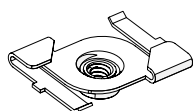
Aircraft Cable [3ft]



18mm Spike Bracket [x4]



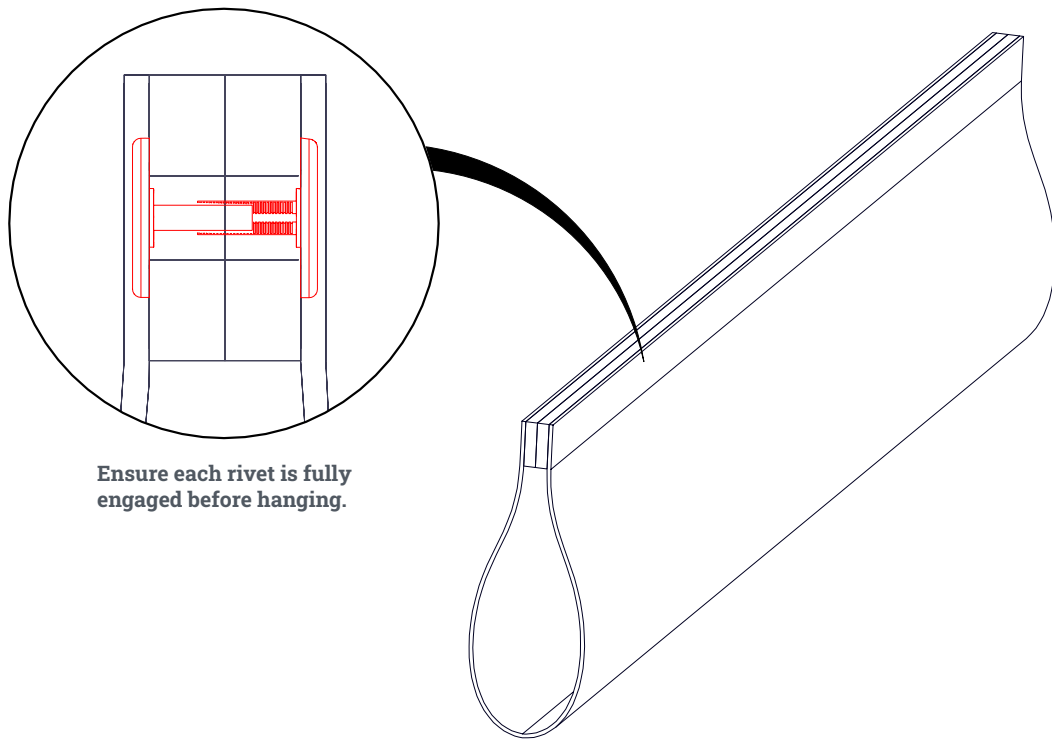
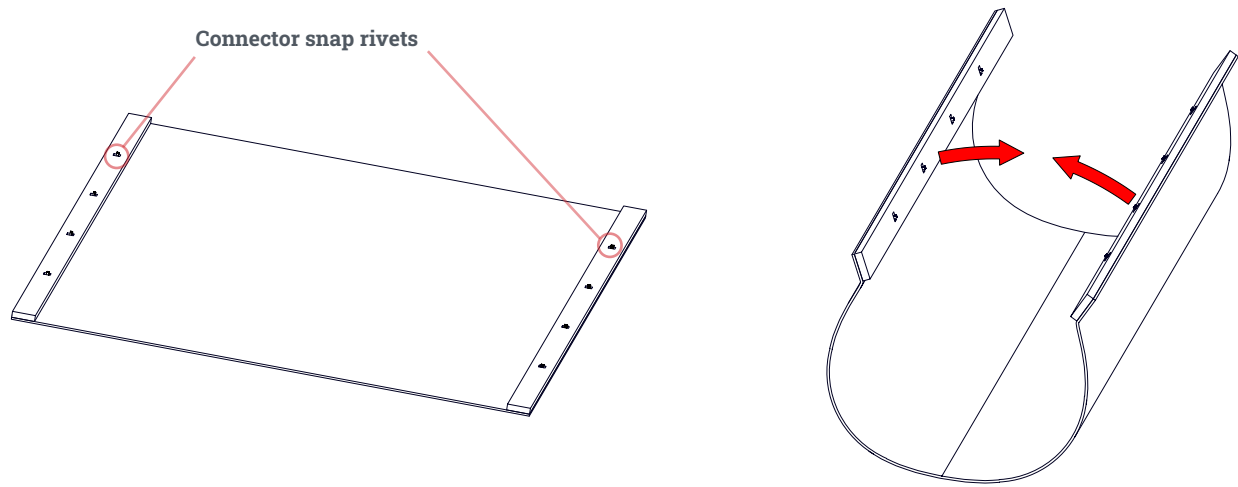
Standard Griplock [x4]



T-Bar Clip [x2]

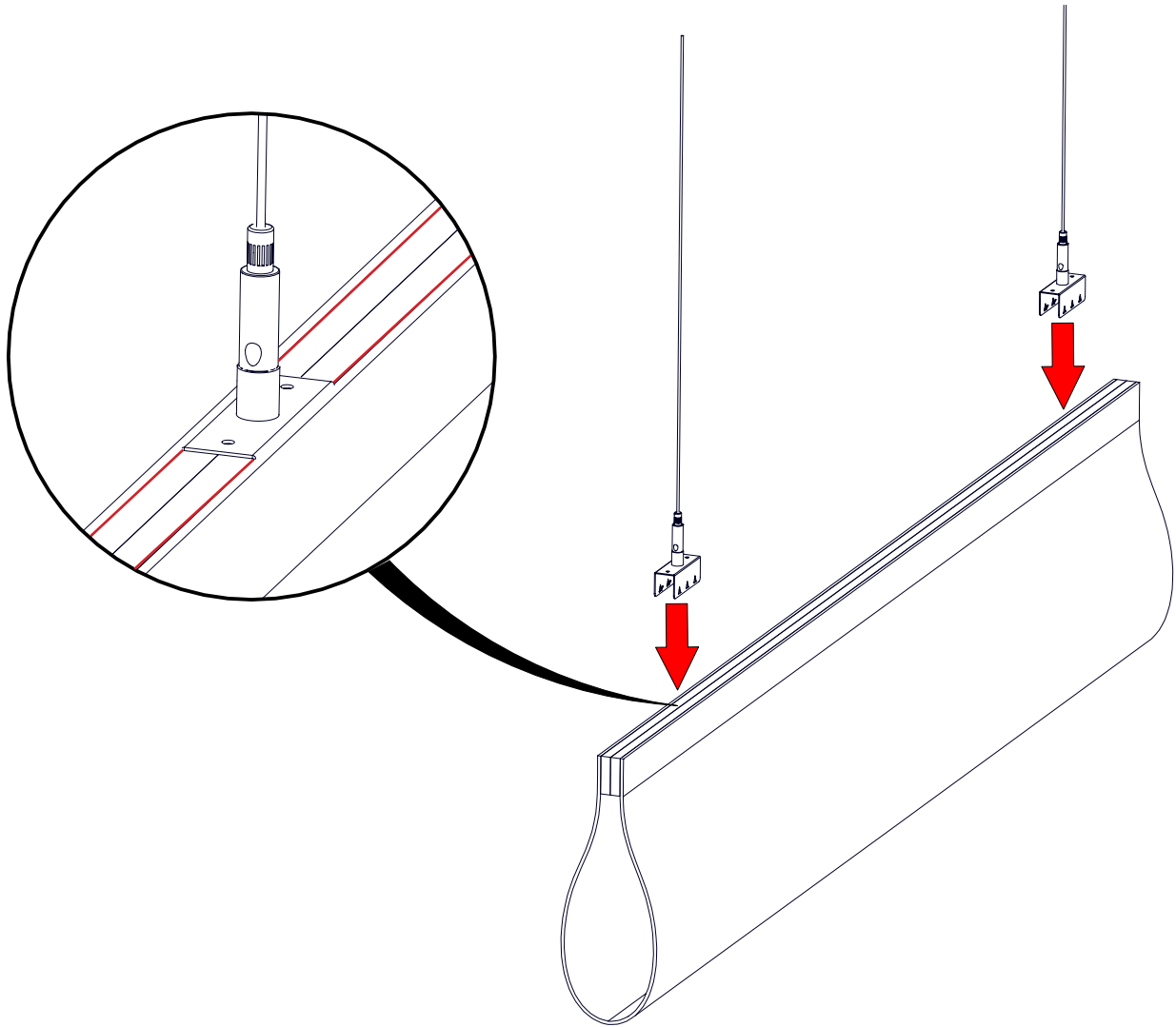
LOOP BAFL: INSTALLATION INSTRUCTIONS

Step 1: Fold the LOOP sheet assembly and connect the snap rivets.



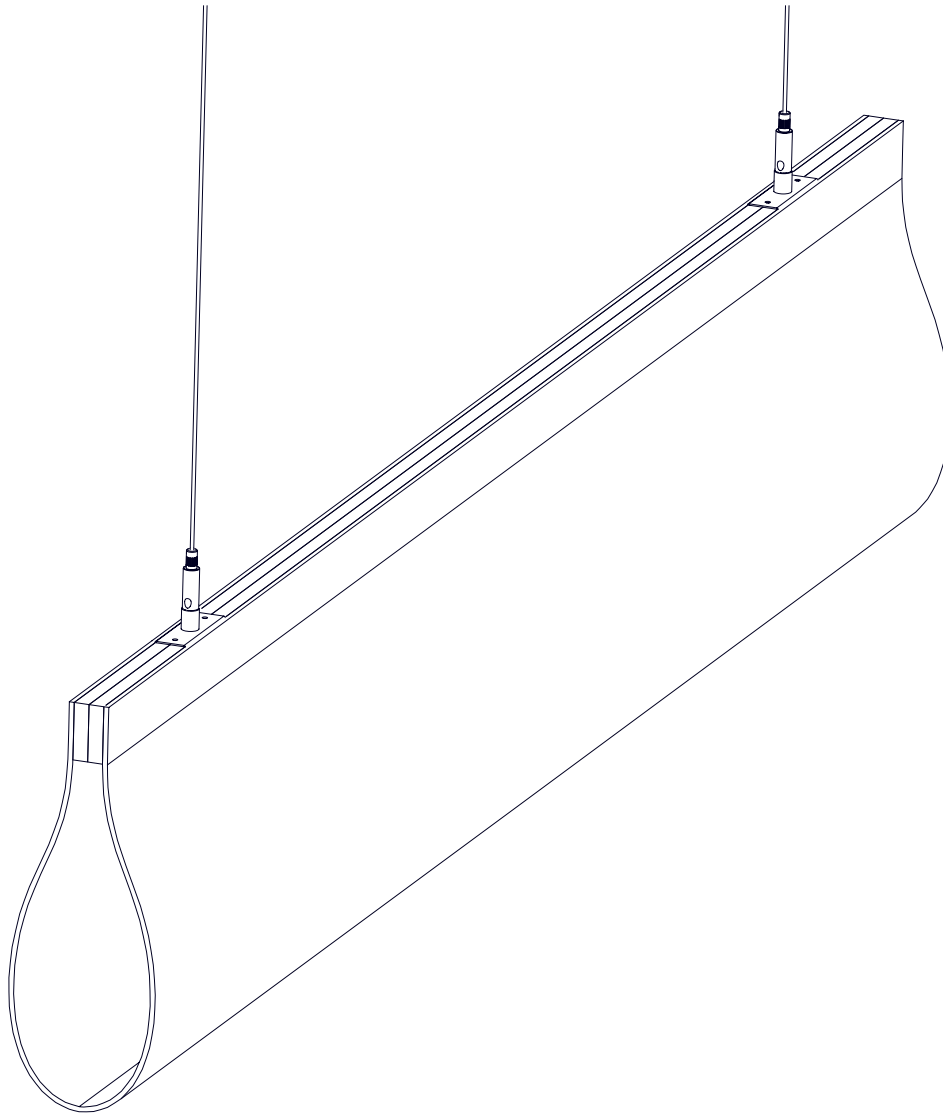
LOOP BAFL: INSTALLATION INSTRUCTIONS

Step 2: Install the spike brackets around the center spines. The outer skin of the LOOP should conceal the edges of the bracket.



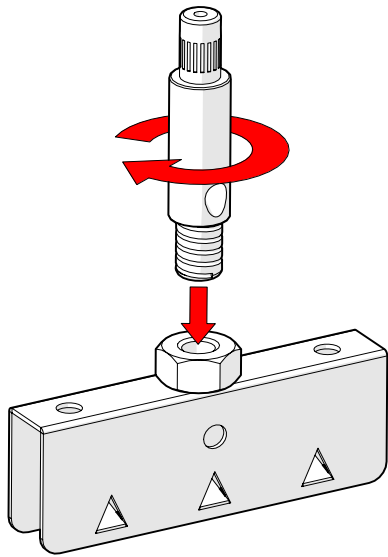
LOOP BAFL: INSTALLATION INSTRUCTIONS

Installation complete.

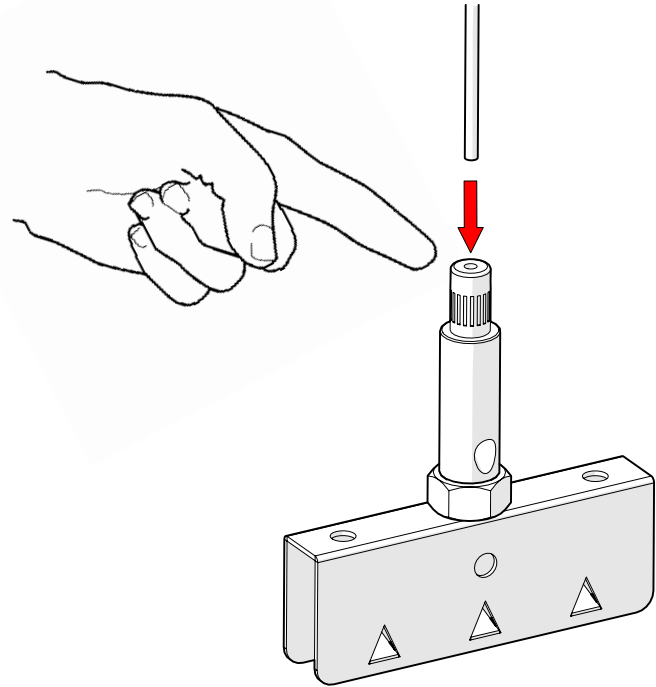


HARDWARE KIT #LP-BAFL: [18MM SPIKE BRACKET]

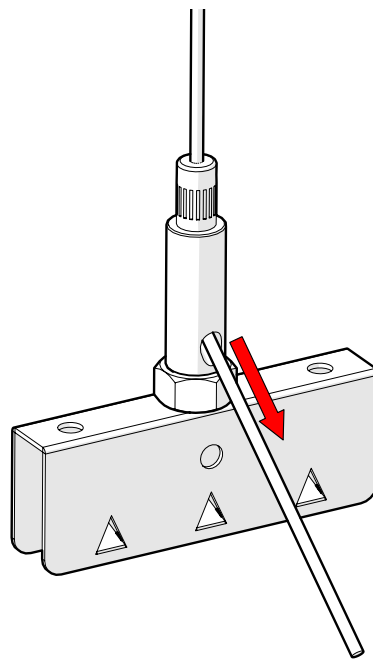
ASSEMBLY INSTRUCTIONS



A - Screw grip lock into the hex nut welded to the spike bracket.



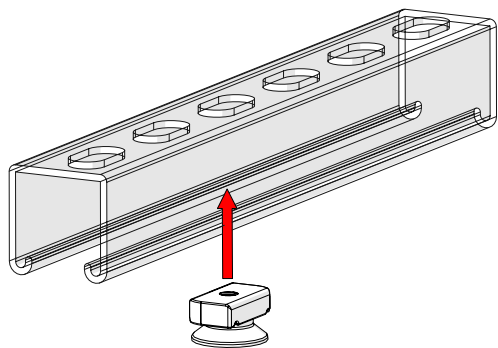
B - To insert the aircraft cable into the grip lock, press firmly on the nipple while threading the cable through the channel. Release the nipple to lock the cable in place.



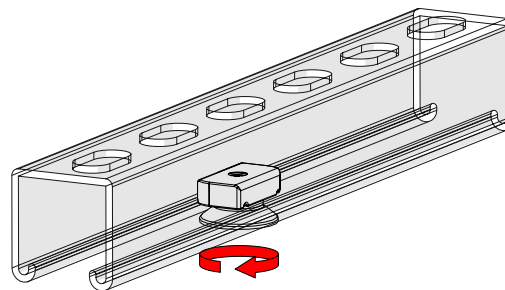
Cut any excess cable with wire cutters.

HARDWARE KIT #37: [UNISTRUT]

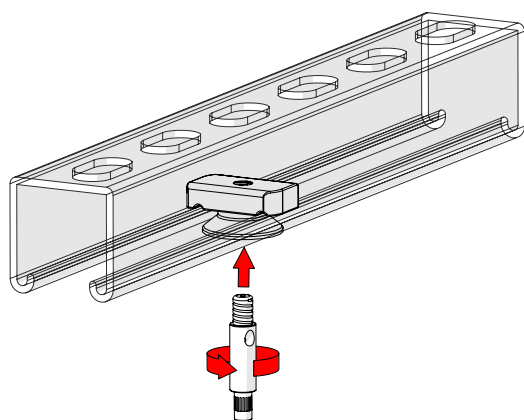
ASSEMBLY INSTRUCTIONS



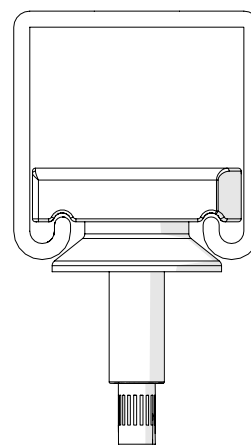
A - Insert the nylon cone nut into the unistrut lengthwise as shown above.



B - Once inserted, rotate counterclockwise to lock firmly in place.



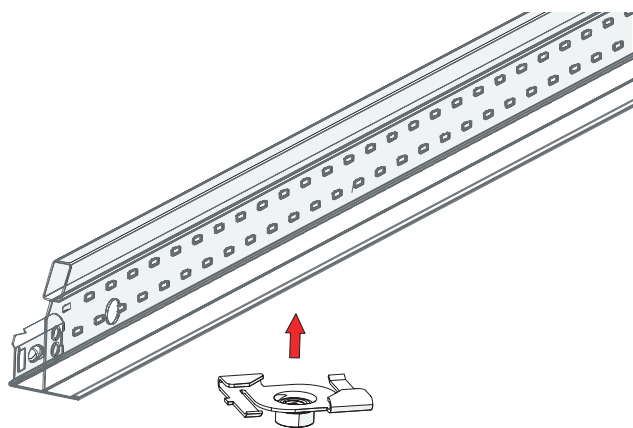
C - Screw in the grip lock.



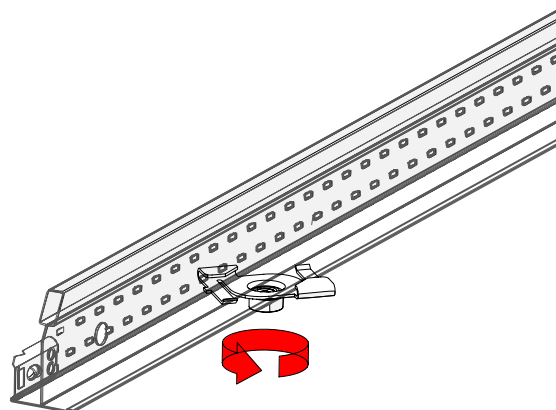
D - Ensure the nylon nut is firmly seated.

HARDWARE KIT #40: [T-GRID]

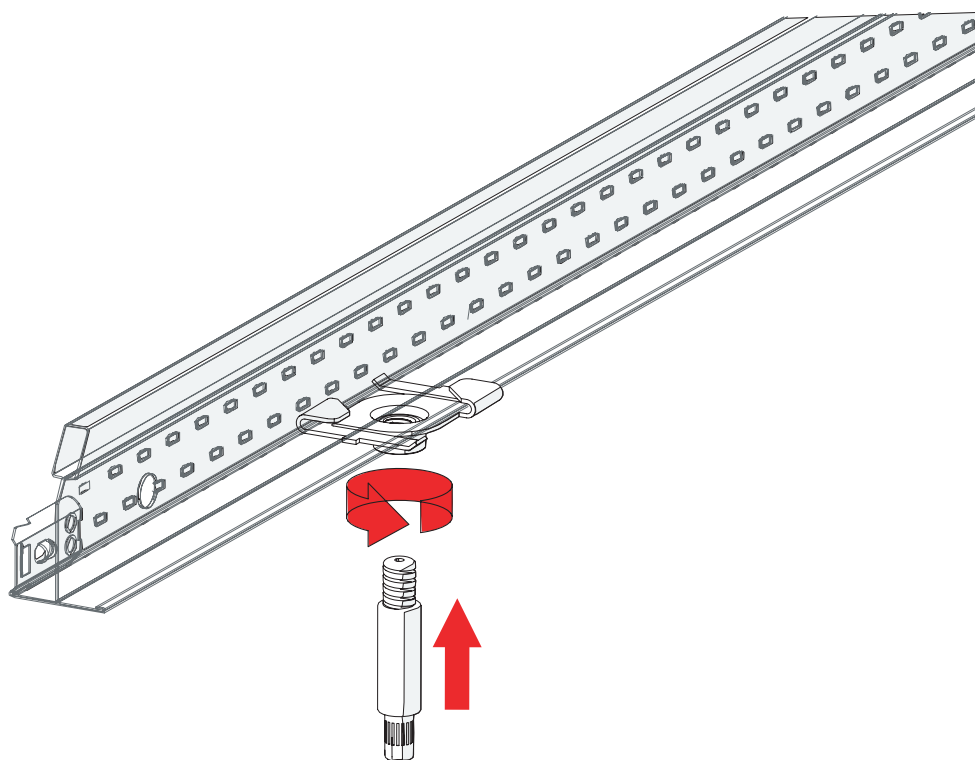
ASSEMBLY INSTRUCTIONS



A - Align the T-bar clip at a diagonal angle with your existing T-grid.



B - Press the clip against the base of the T-grid and turn counter-clockwise to lock in place.



C - Attach the gripper to the T-bar clip.