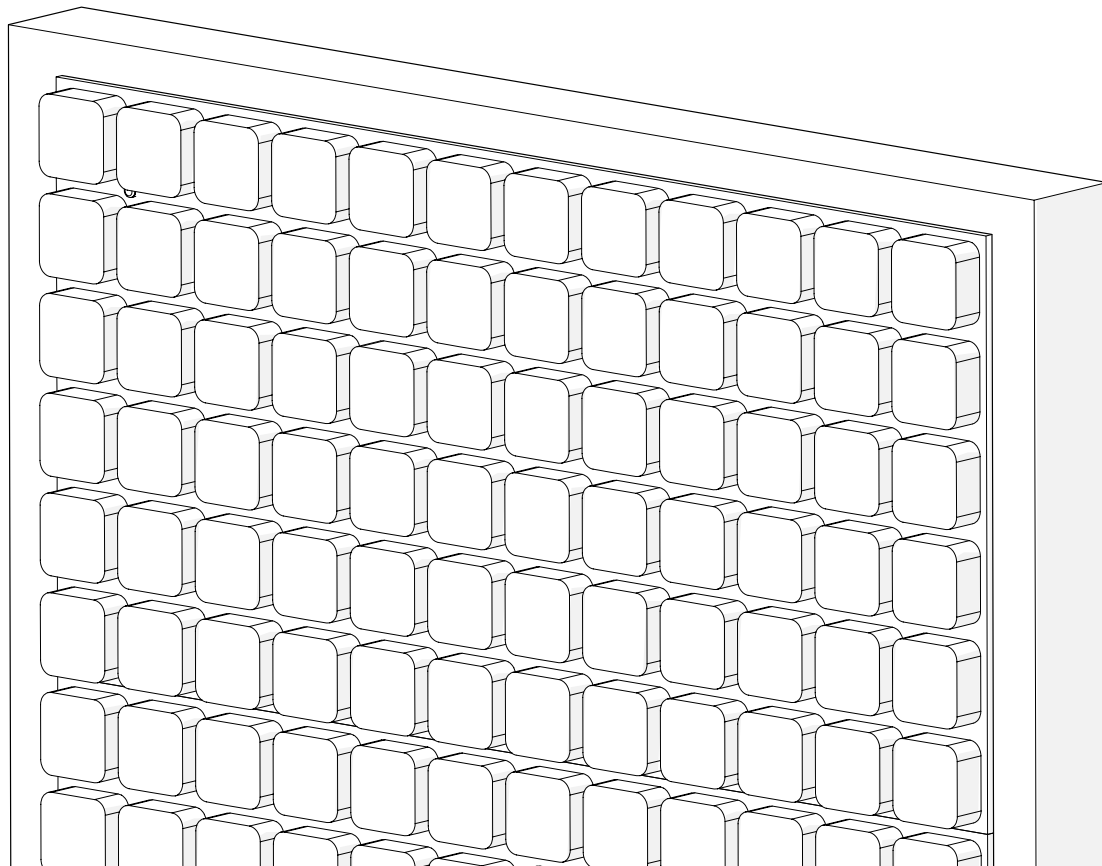
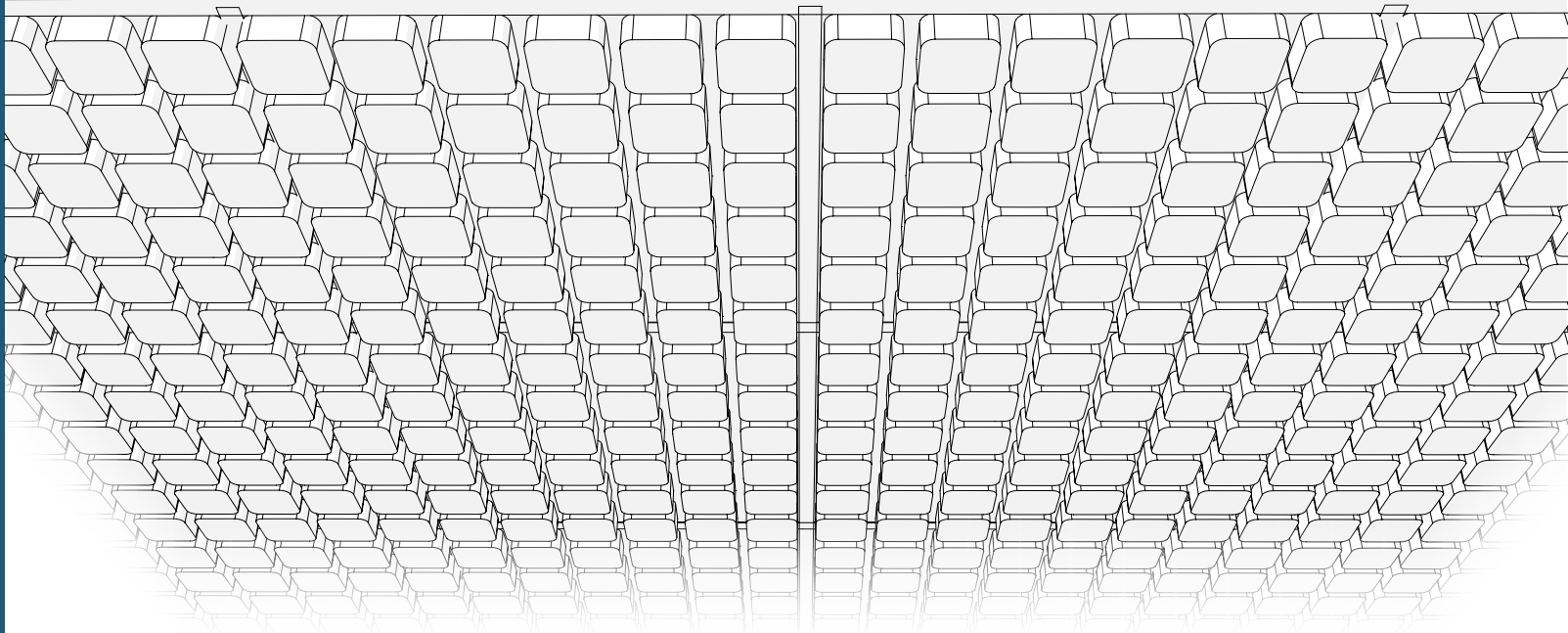
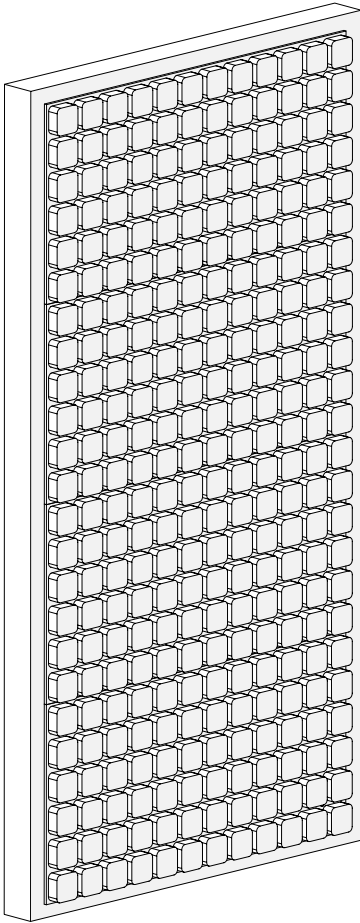


PIXL

INSTALLATION INSTRUCTIONS

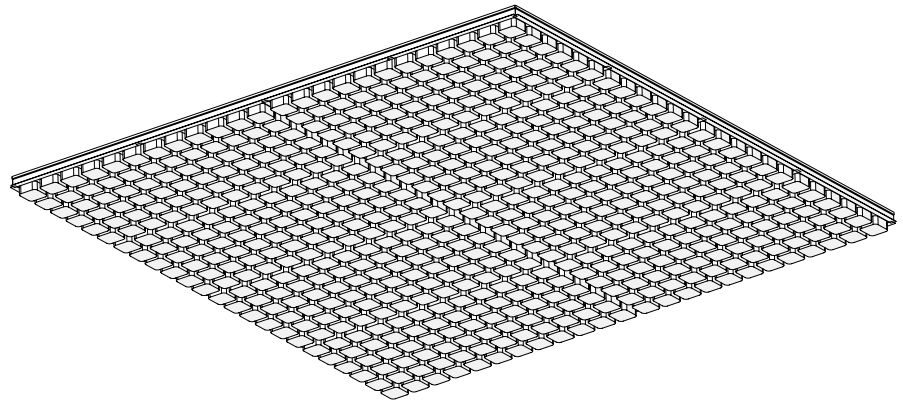


MOUNTING OPTIONS



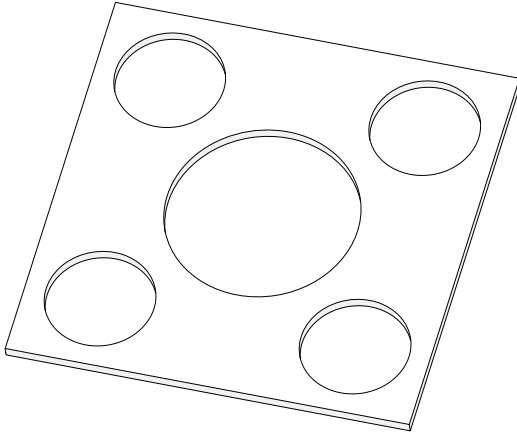
Direct Install with Adhesive [Pg. 3]

Direct Install with Screws [Pg. 7]

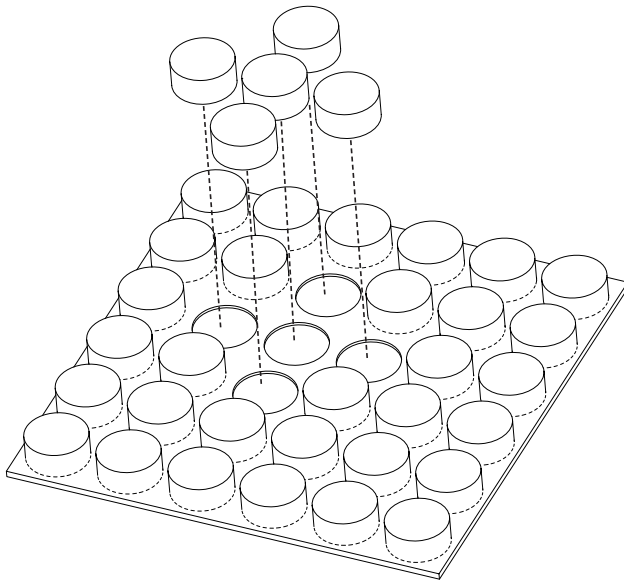


T-Grid [Drop Ceilings] [Pg.11]

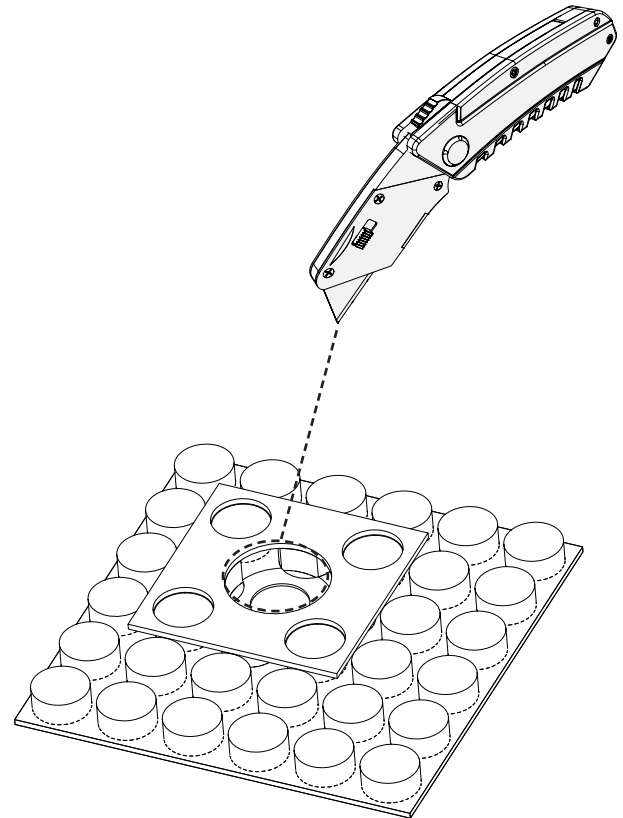
OPTIONAL ACCESSORIES



PIXL can easily be modified to fit lighting or other elements using a custom template and utility knife.



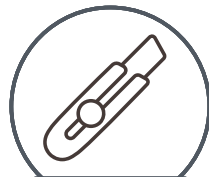
A *Peel away the 5 cells as shown*



B *Center the template and cut away PIXL from the center opening of the template*

PIXL: DIRECT INSTALL WITH ADHESIVE

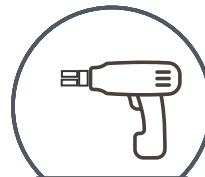
REQUIRED TOOLS



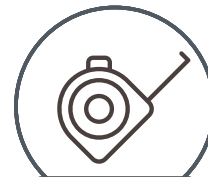
Utility Knife



Putty Knife



Nail Gun



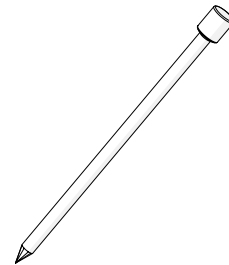
Tape Measure

RECOMMENDED HARDWARE/ADHESIVES

Not included in shipment.



Commercial Adhesive

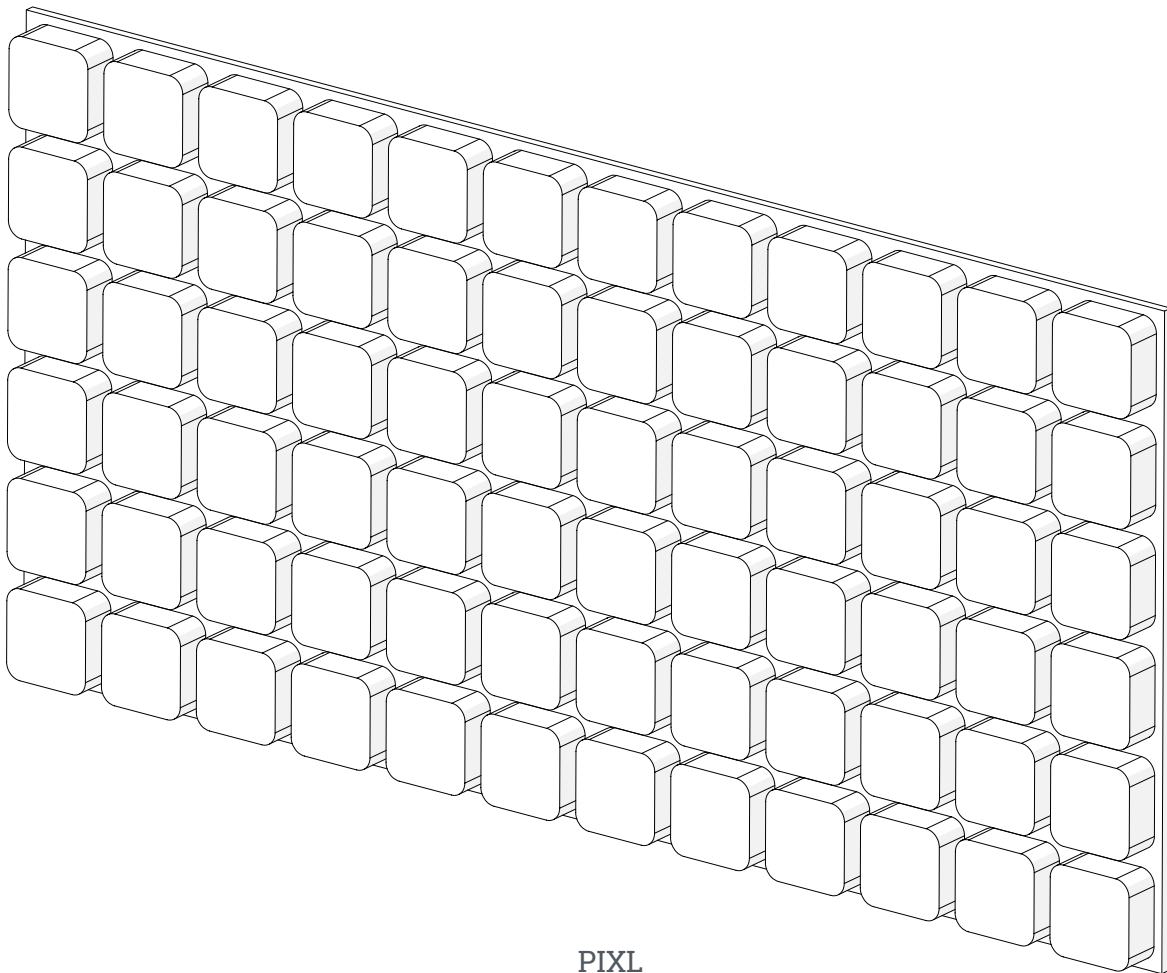


1/8" nail or smaller

PIXL: DIRECT INSTALL WITH ADHESIVE

INCLUDED COMPONENTS

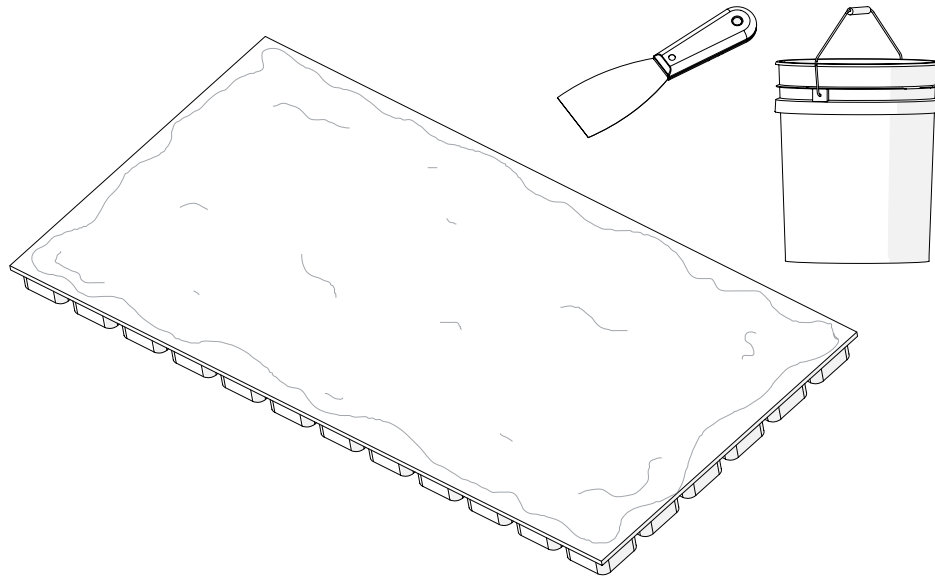
Sizes and quantities dependent on order specifications.



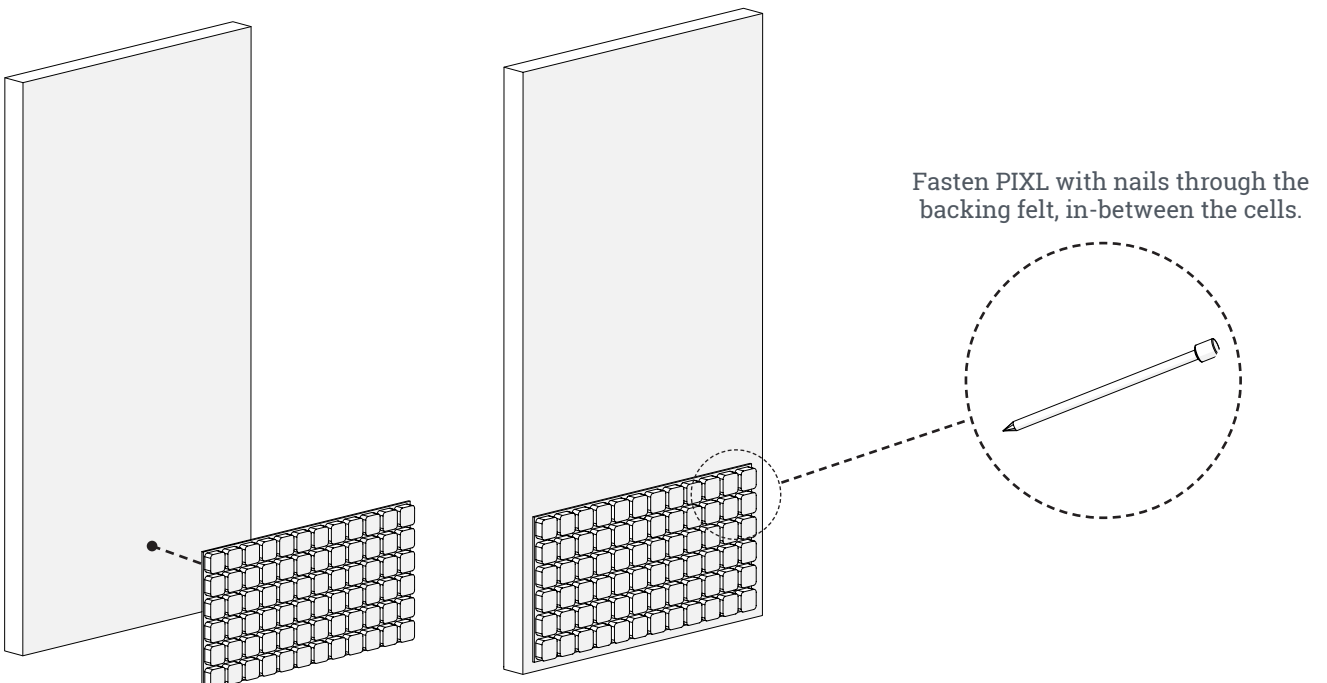
PIXL

PIXL: INSTALLATION INSTRUCTIONS

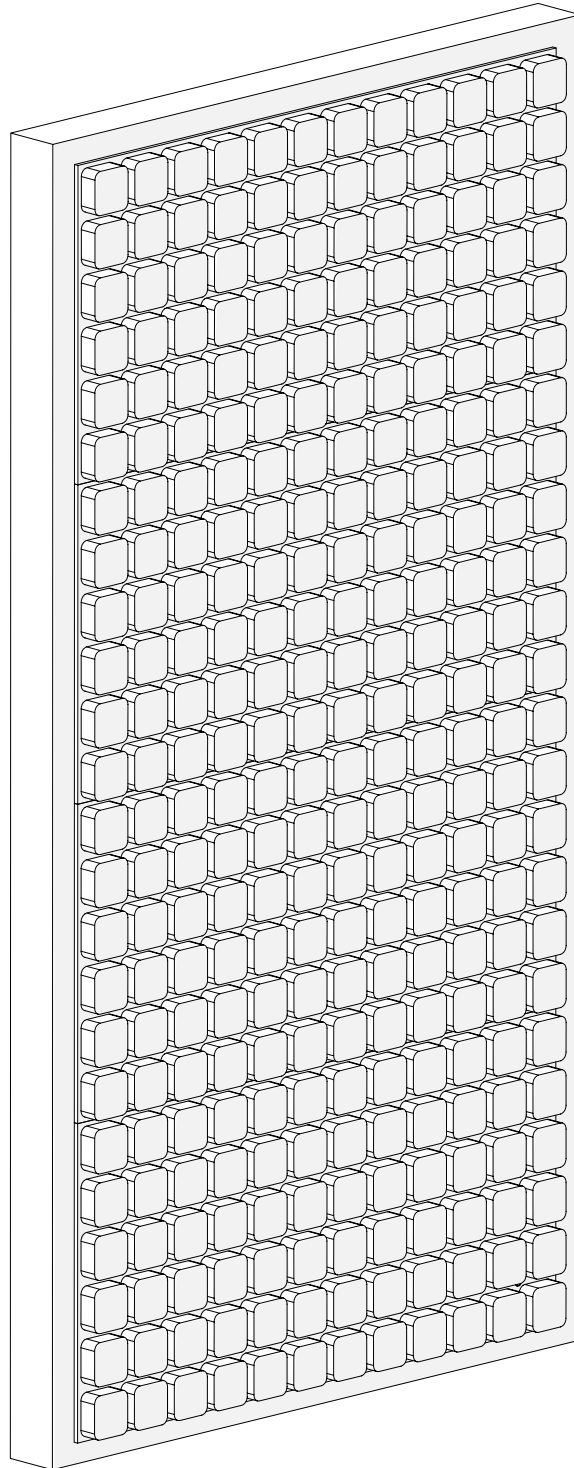
- 1** Using a putty knife, coat the backing side of PIXL with a generous layer of commercial adhesive.



- 2** Press PIXL against the installation surface and temporarily secure with nails.



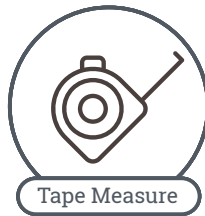
PIXL: INSTALLATION INSTRUCTIONS



INSTALLATION COMPLETE.

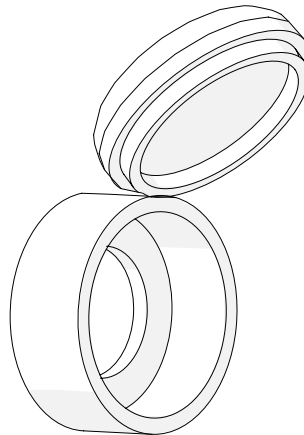
PIXL: DIRECT INSTALL WITH SCREWS

REQUIRED TOOLS



INCLUDED HARDWARE

*Quantities dependent on order specifications. Screws/Nails not included.
1/4"-20 screw size recommended.*

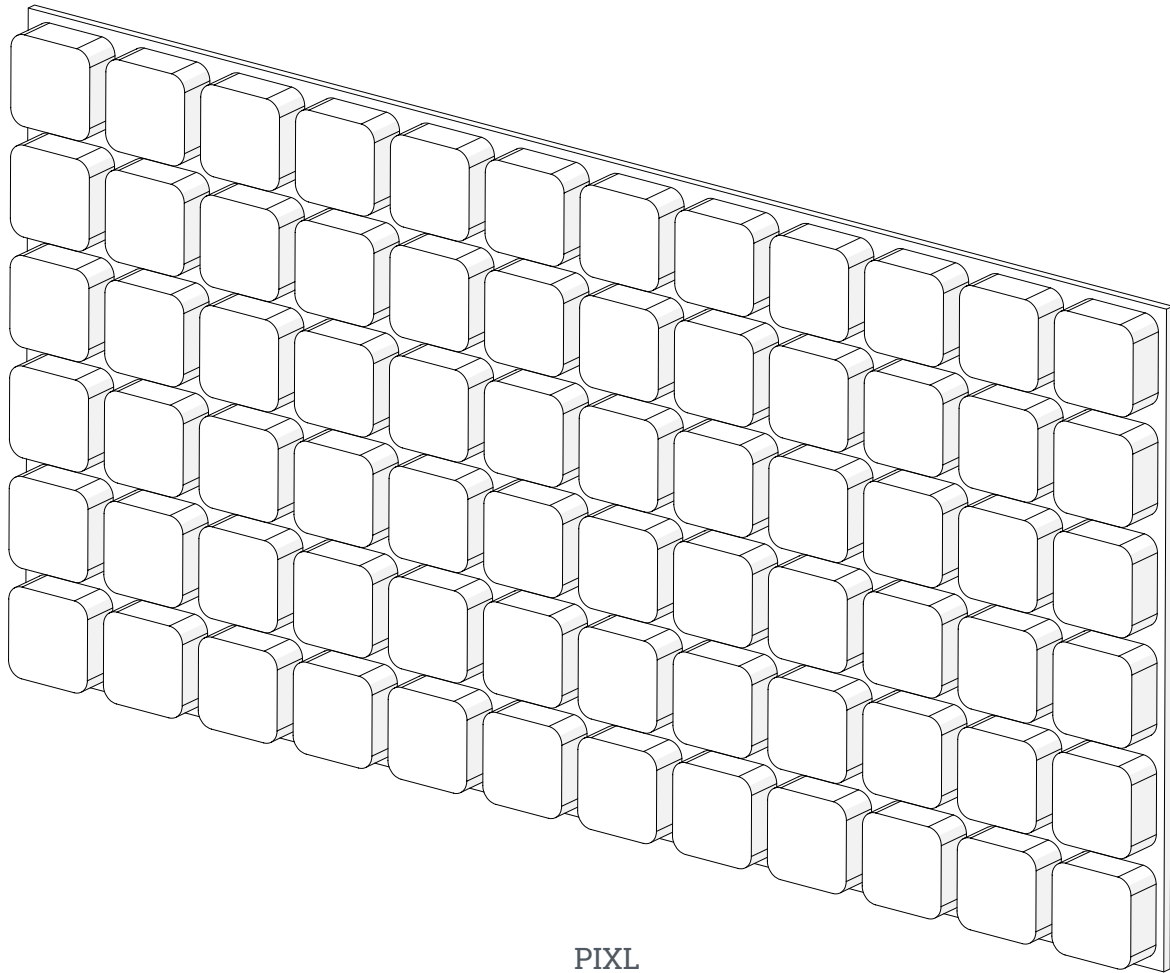


Screw Cap

PIXL: DIRECT INSTALL WITH SCREWS

INCLUDED COMPONENTS

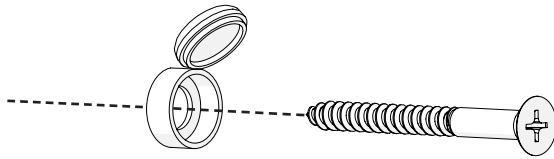
Sizes and quantities dependent on order specifications.



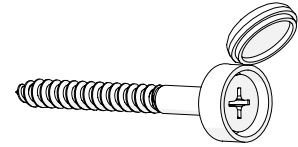
PIXL

PIXL: INSTALLATION INSTRUCTIONS

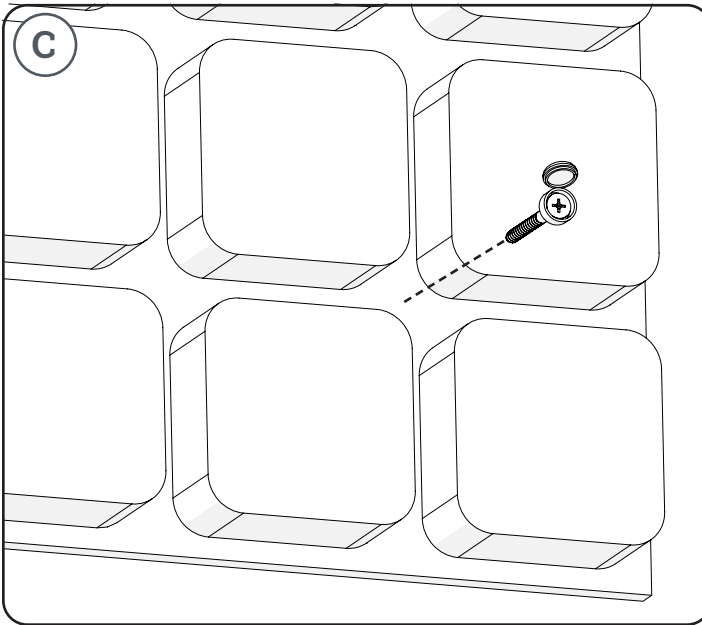
- 1 Slide the screw cap over your chosen fastener and drive it through the backing felt of PIXL as shown. .



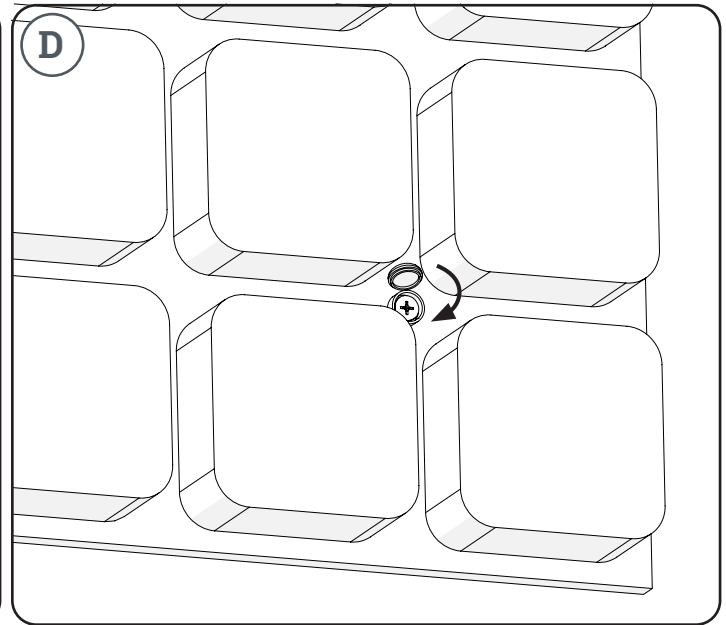
A



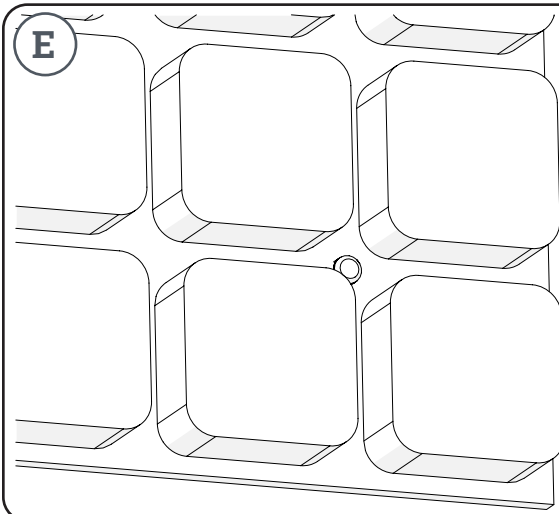
B



C



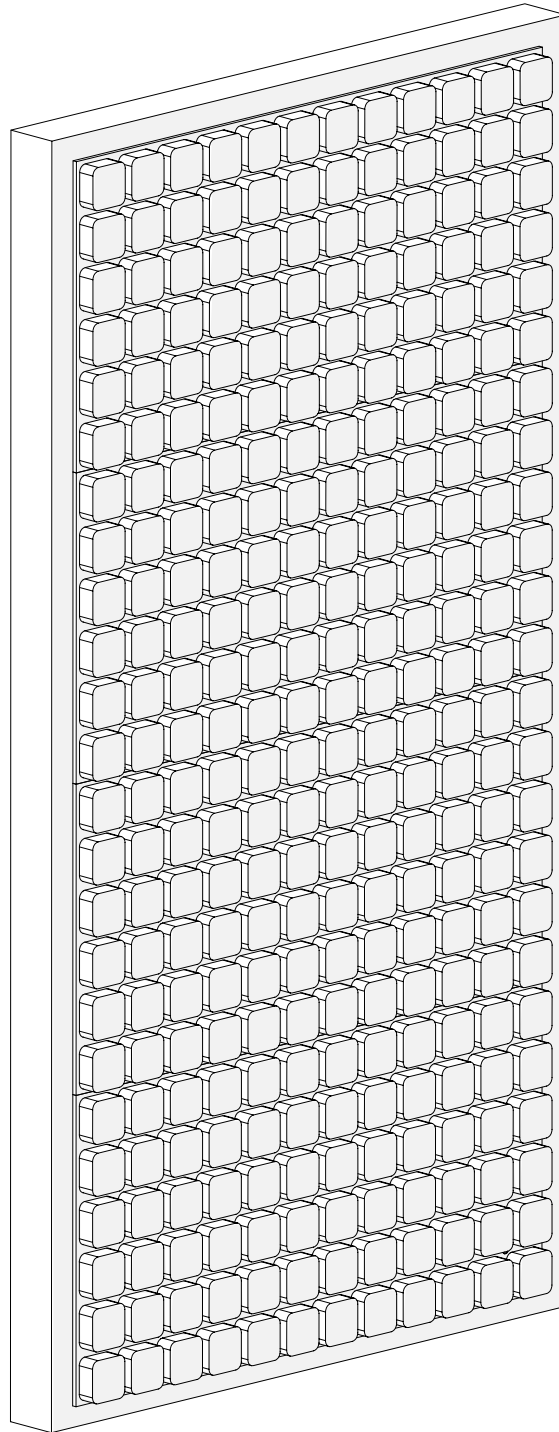
D



E

Snap the screw cap closed once the fastener is secured in place.

PIXL: INSTALLATION INSTRUCTIONS



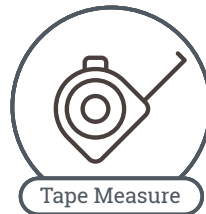
INSTALLATION COMPLETE.

PIXL: T-GRID [DROP CEILING]

REQUIRED TOOLS



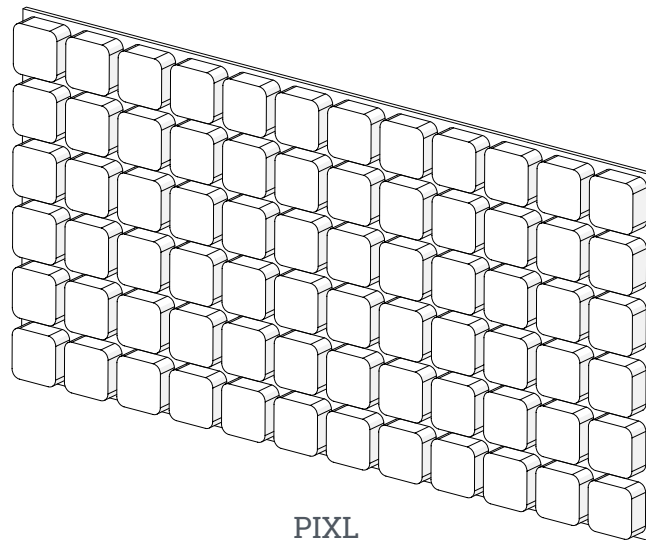
Utility Knife



Tape Measure

INCLUDED COMPONENTS

Sizes and quantities dependent on order specifications.



PIXL

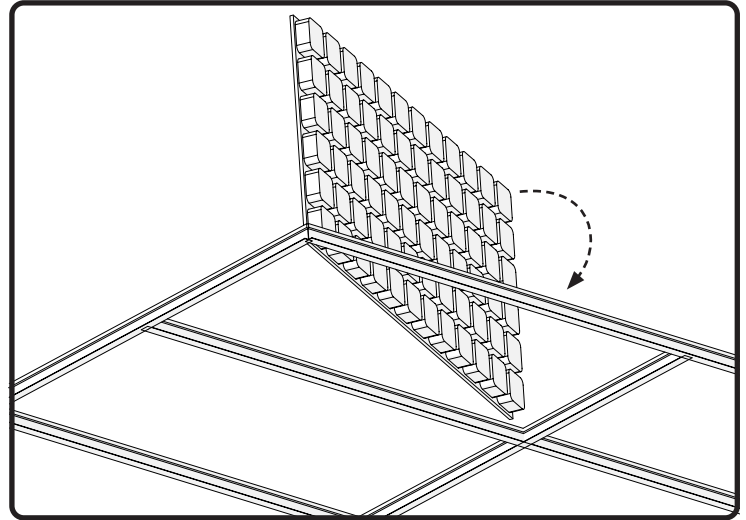
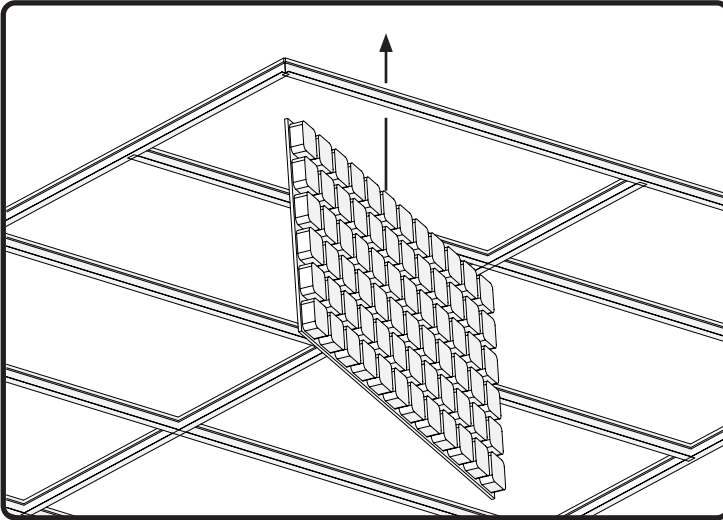
INCLUDED HARDWARE

No hardware required.

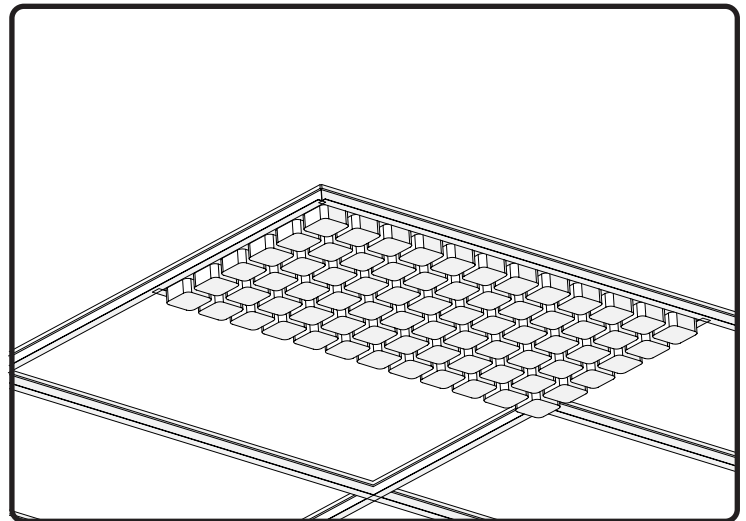
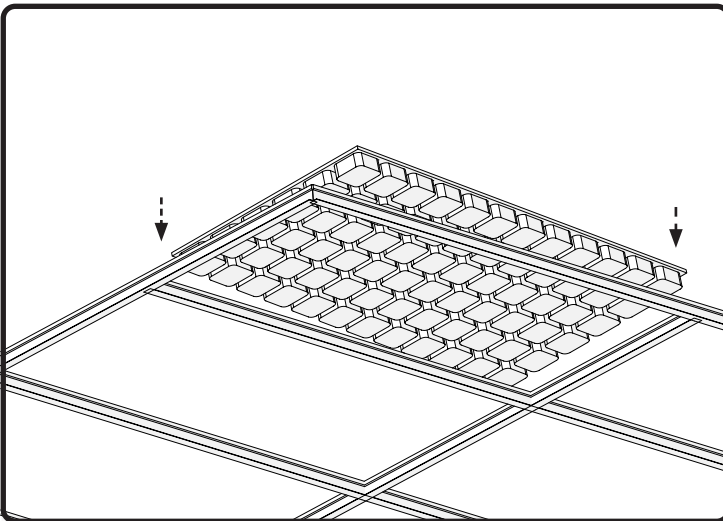
PIXL: INSTALLATION INSTRUCTIONS

1 Insert PIXL into your existing T-Grid ceiling framework.

PIXL panels fit in standard T-Grid style ceilings and can be cut to size, if required, using a jigsaw.



A Insert PIXL at a diagonal angle within the T-Grid cell opening.



B Once above the ceiling grid, rotate the panel downwards and into its final resting position.

INSTALLATION COMPLETE.