

PLANK Installation

Acoustical Wall Panels

These installation suggestions consist of a common process for tile installation. Installers should rely upon their own professional experience and understanding of their unique requirements to ensure a successful install.

Tools Needed

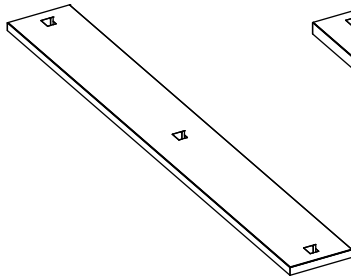


Drill

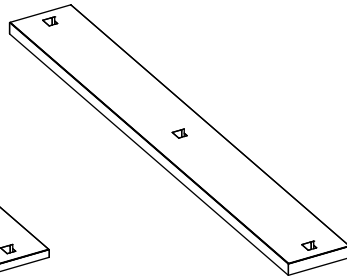


Blade

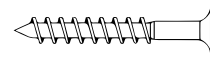
Items Included



Plank 18mm (height)

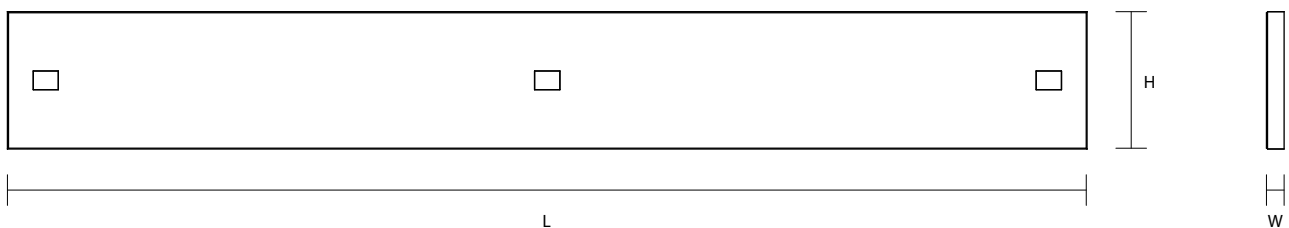


Plank 27mm (height)



Screws

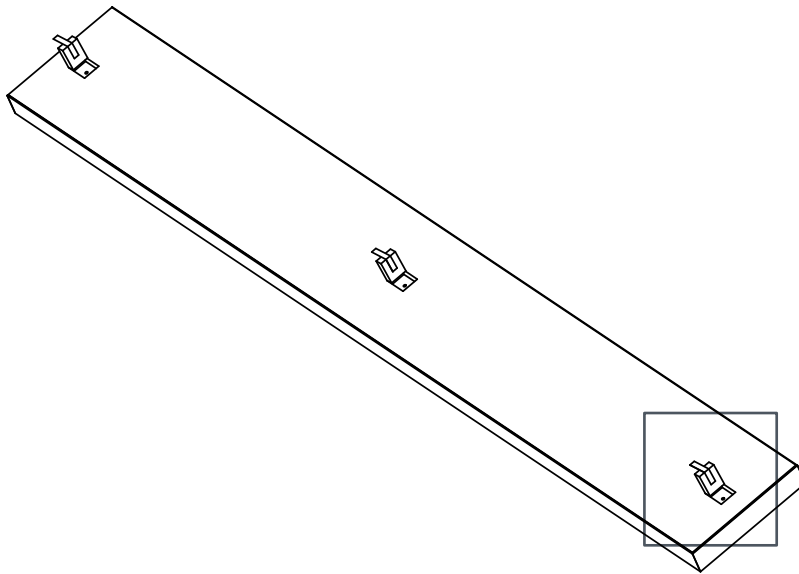
1. Unwrap Plank from plastic wrap. Confirm tile dimensions match your needs.



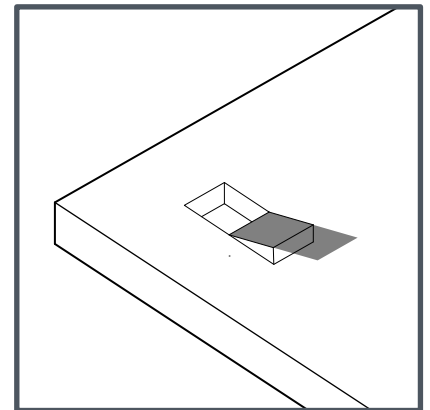
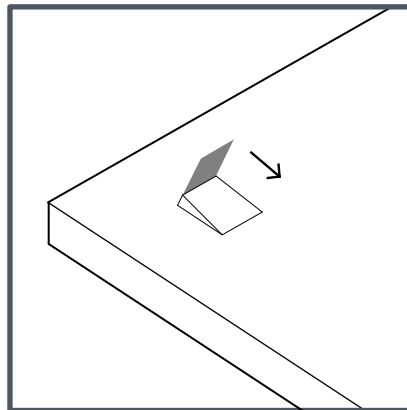
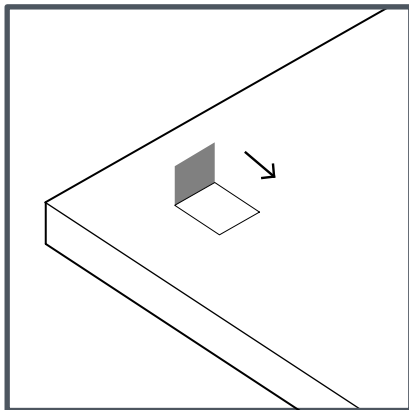
PLANK Installation

Acoustical Wall Panels

2. Locate STD strips at all three areas and pull it to open the STD. (Secret Trap Door)



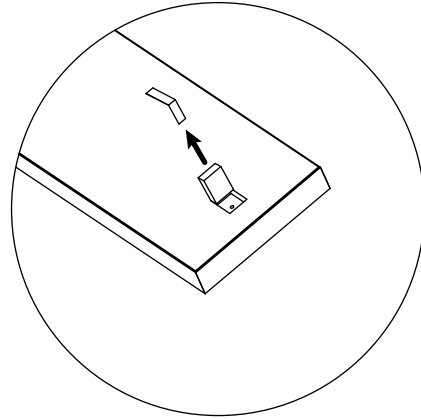
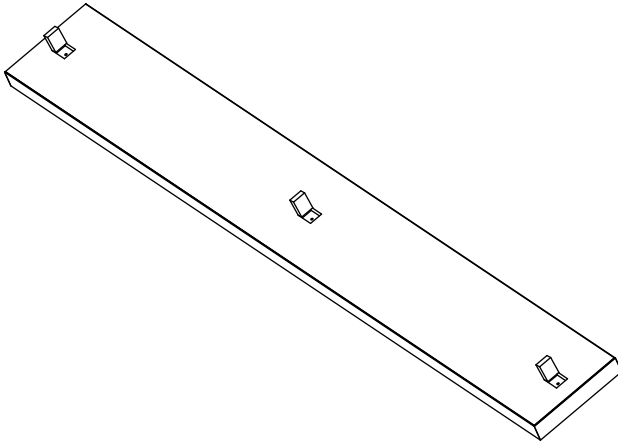
3. How to open the STD.



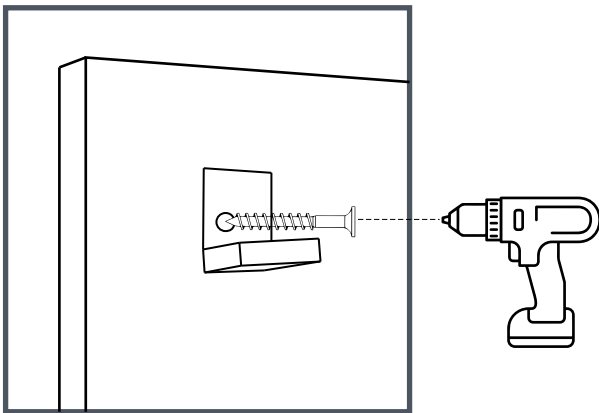
PLANK Installation

Acoustical Wall Panels

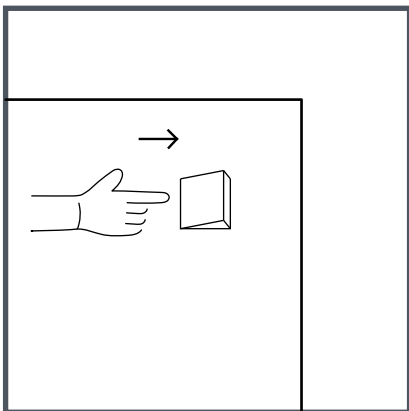
4. Remove all of the STD strips before installation.



5. Use the drywall screw to mount.



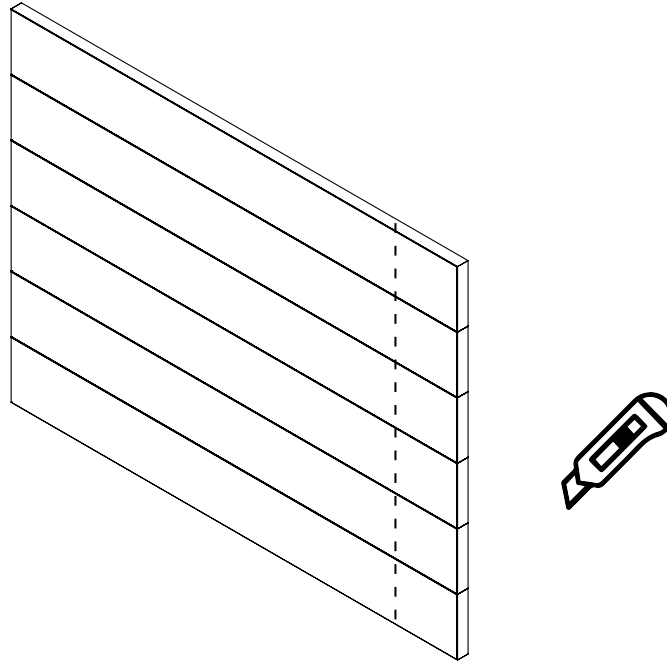
6. Close the door to finish installation



PLANK Installation

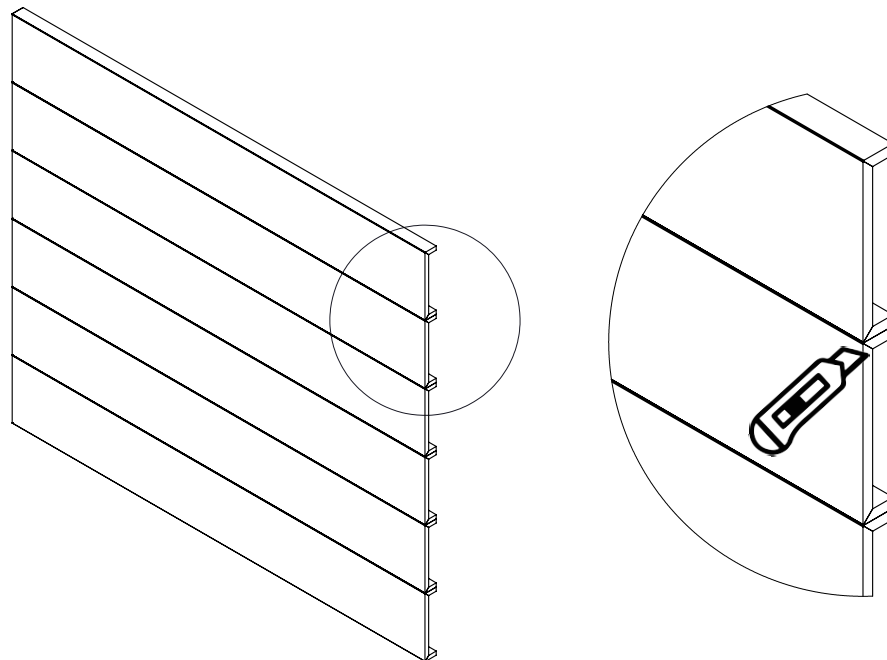
Acoustical Wall Panels

7. To cut excess PLANK on the desired wall, use a box cutter and metal ruler to cut off the excess material to fit on the wall.



8. **Tip for clean edges:** Use smooth continuous motion to cut through half the thickness of the material; using the edge of the ruler as your guide. Go over the same line again to complete the cut.

Use the extra material provided to cut strips to cover the hollowed interior after cutting the PLANK.



PLANK Installation

Acoustical Wall Panels

9. Sample Layout Views

