

SKINNY BAFL Installation - Hidden 9mm Bracket

These installation suggestions consist of a common process for SKINNY BAFL installation. Installers should rely upon their own professional experience and understanding of their unique requirements to ensure a successful install.

Tools You Will Need



Drill



Cable Cutter

Optional



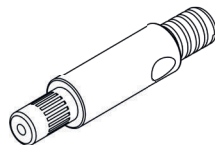
1/16" Aircraft Cable
Additional length required, if any, will be determined by site needs

Hardware to secure to ceiling appropriate for your ceiling type.
(For additional assistance reach out to your Fräsch rep.)

Items Included



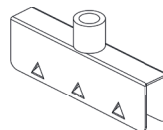
Skinny Baf



(2) Griplock



1/16" Aircraft Cable
3' per baffle included
Additional length required, if any, will be determined by site needs

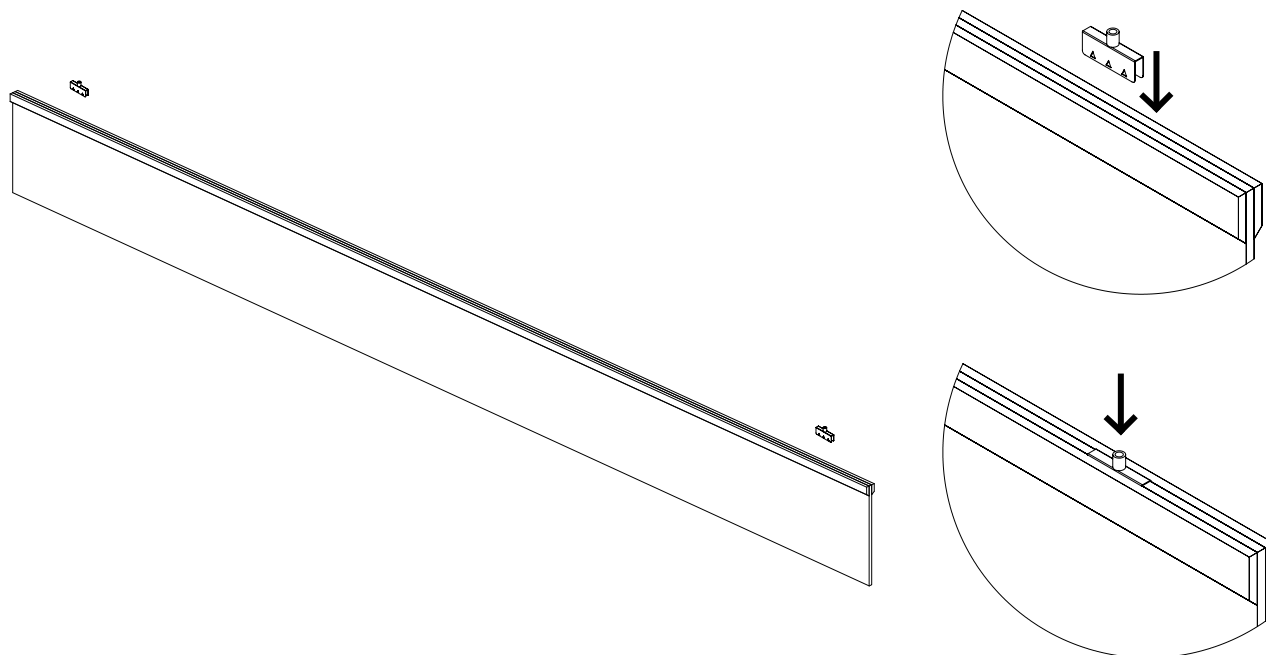


(2) 9mm Spike Bracket

SKINNY BAFL Installation Hidden 9mm Bracket

Acoustical Baffle

1. Locate where the two spike brackets need to be placed. Recommended 6in away from each side. Slide the spike bracket from the top, in between the layers and it will grip into the material.



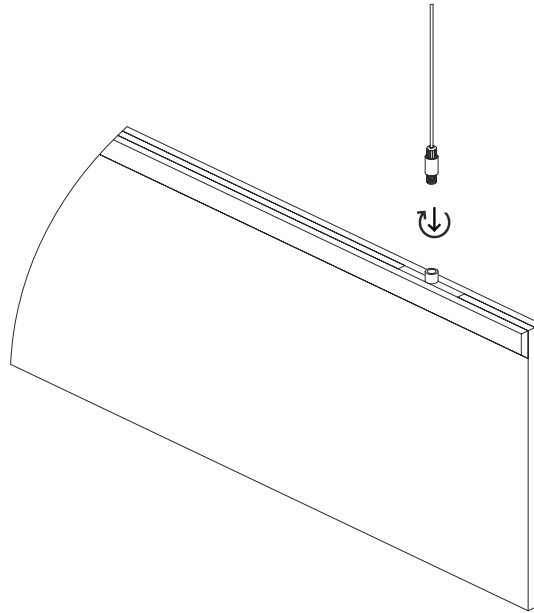
2. Insert the aircraft cable into the griplock. Cut the excess wire if needed.



SKINNY BAFL Installation Hidden 9mm Bracket

Acoustical Baffle

3. Insert and screw the griplock on the spike bracket.



4. Finish the installation.

