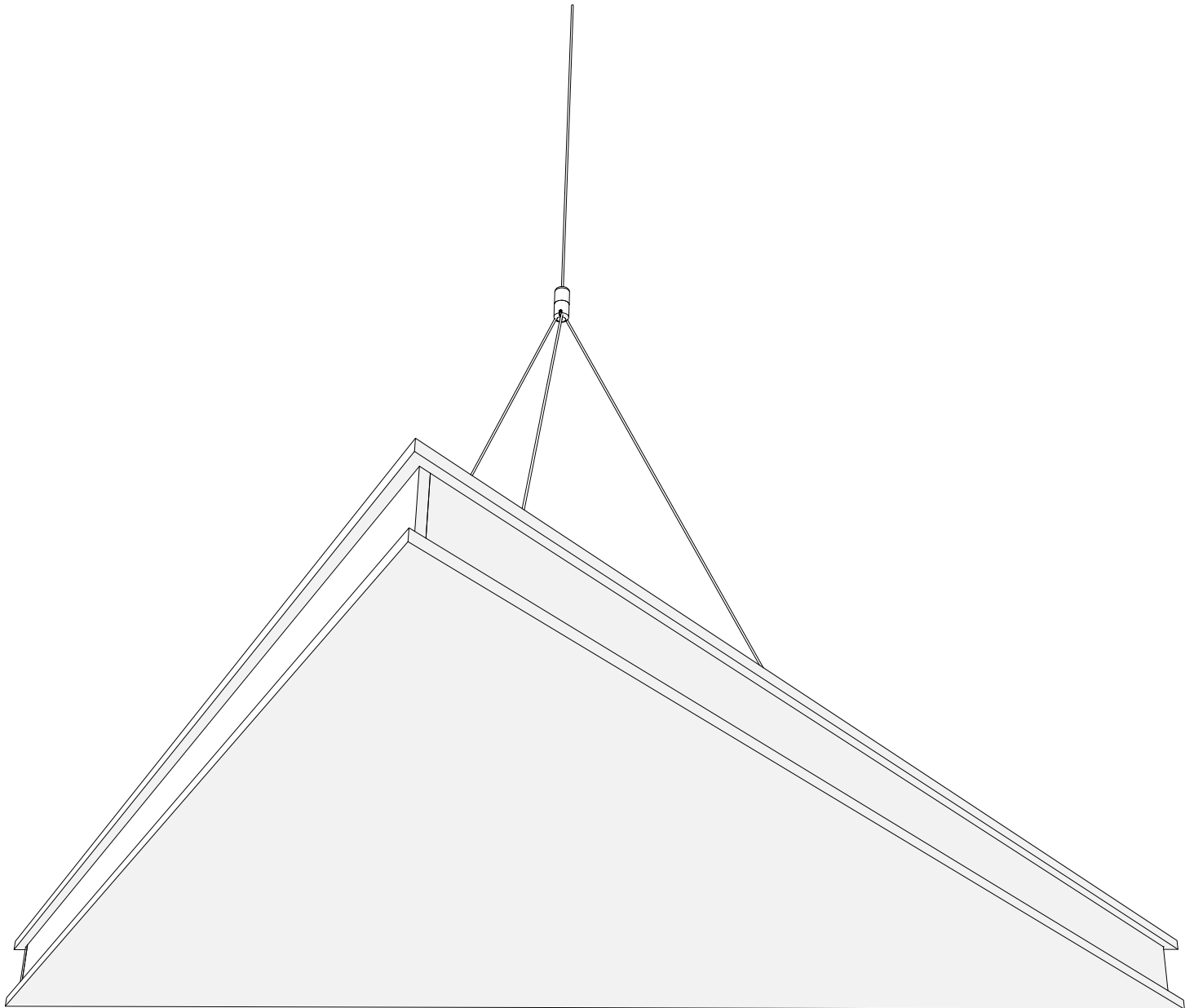
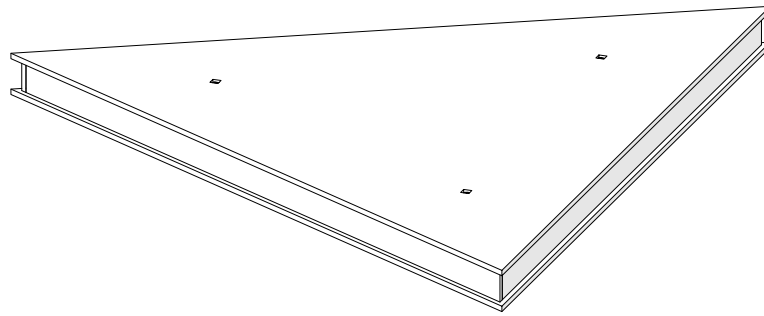


TRIANGLE CLOUD

INSTALLATION INSTRUCTIONS

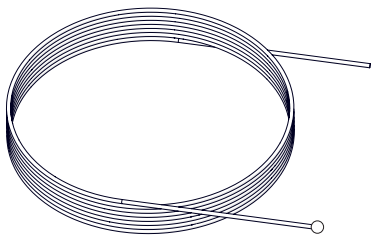


TRIANGLE CLOUD: INCLUDED COMPONENTS

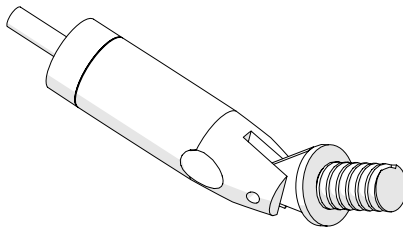


Triangle CLOUD **x1**

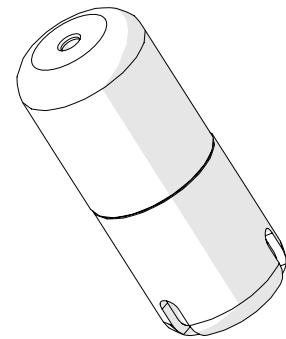
INCLUDED HARDWARE



Ball End Aircraft Cable [1.5'] **x4**



Jointed Grip Lock **x3**

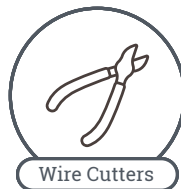


3-Way Sputnik **x1**

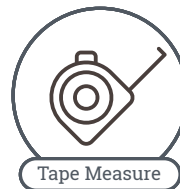
REQUIRED TOOLS



Level



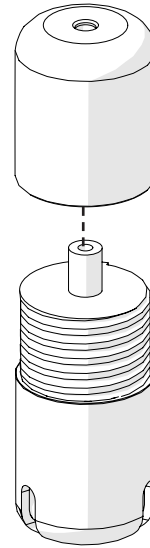
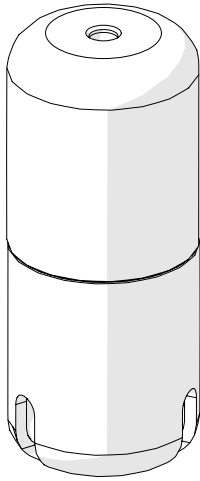
Wire Cutters



Tape Measure

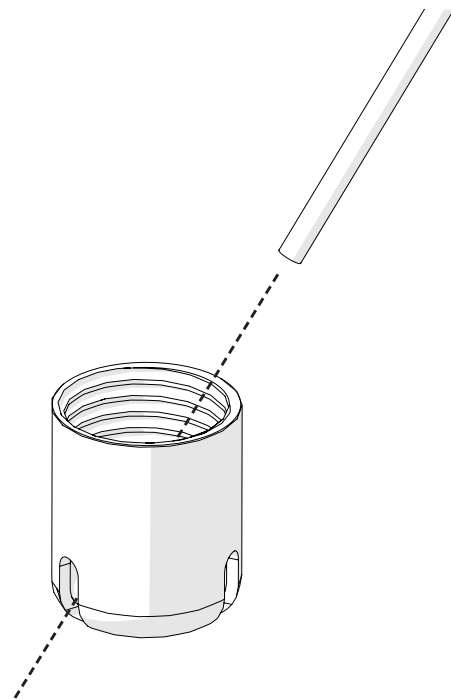
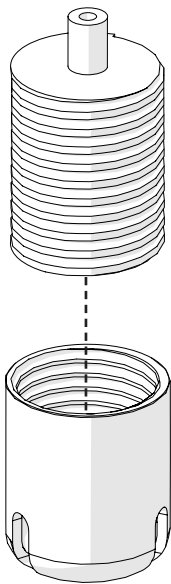
BOX BAFL: INSTALLATION INSTRUCTIONS

1 Assemble Sputnik hardware as shown:



A Locate the 3-Way Sputnik connector.

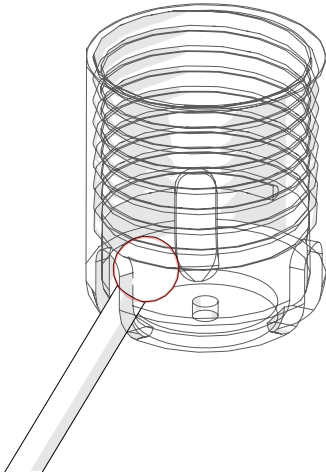
B Unscrew the top cap.



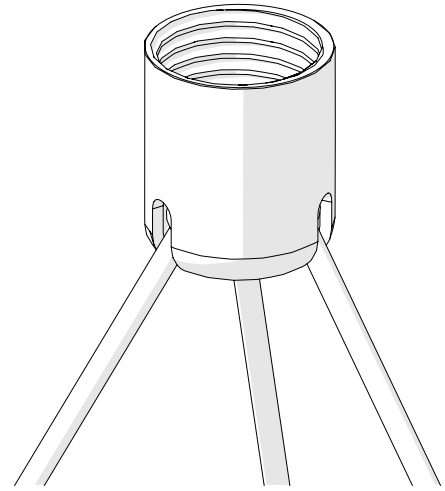
C Unscrew the inner cable grip.

D Insert a ball-end aircraft cable into the base slots.

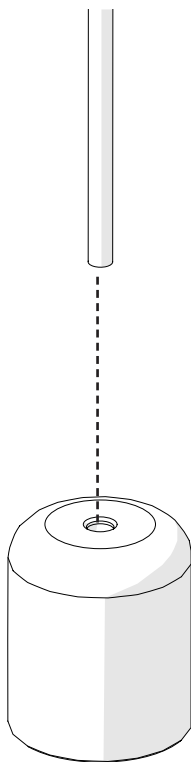
CLOUD-TRIANGLE: INSTALLATION INSTRUCTIONS



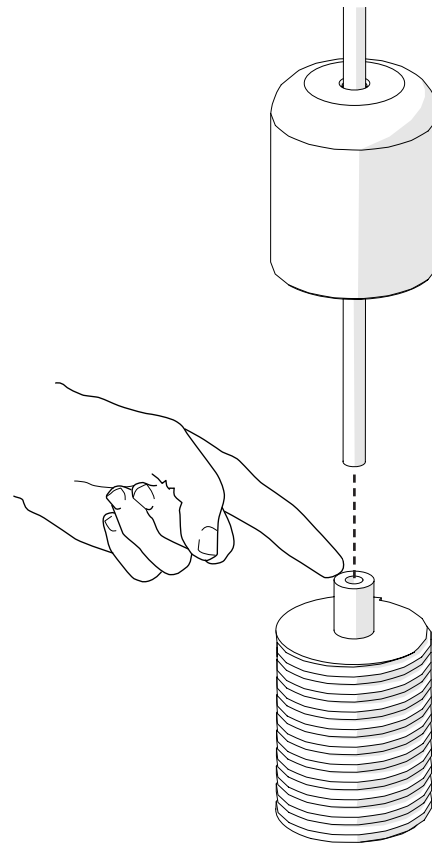
E Ensure the ball of the cable end is nestled inside the Sputnik.



F Insert the remaining cables.



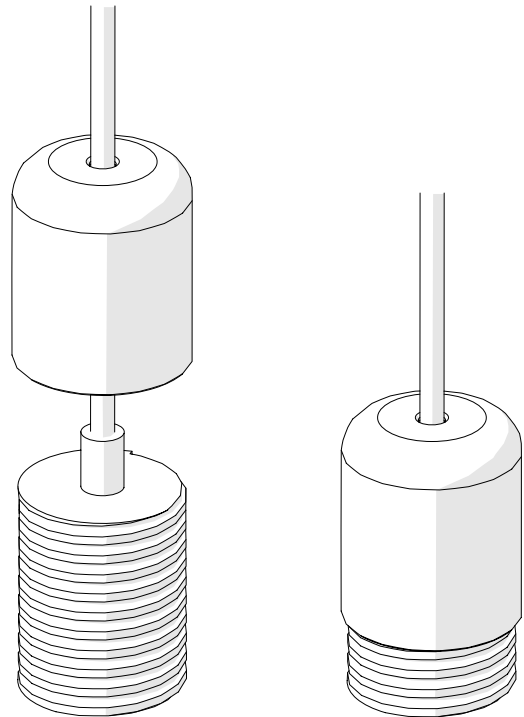
G Thread an additional cable through the top cap.



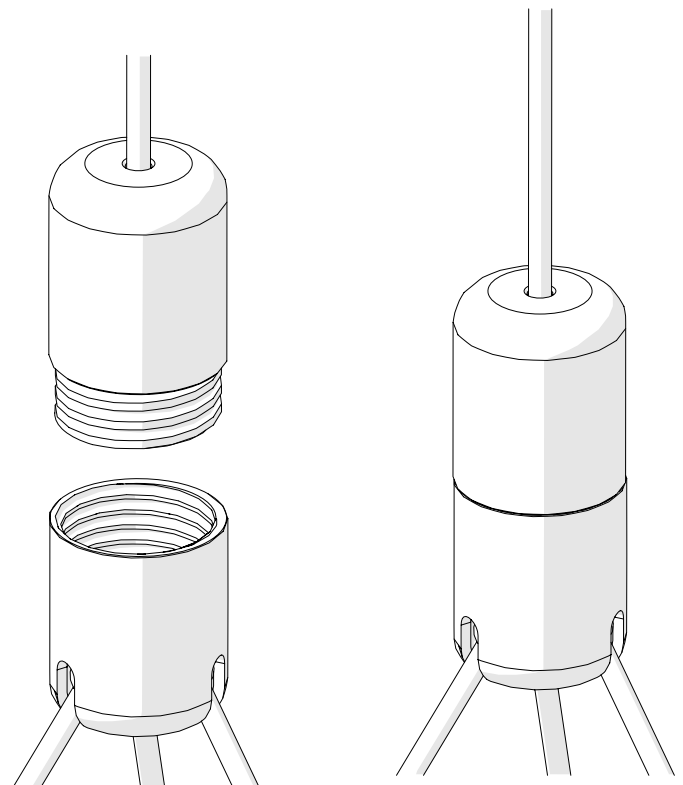
H Press firmly on the inner cable grip plunger and insert the cable as shown.

CLOUD-TRIANGLE: INSTALLATION INSTRUCTIONS

- I** Re-connect the top cap by screwing it onto the inner cable grip.

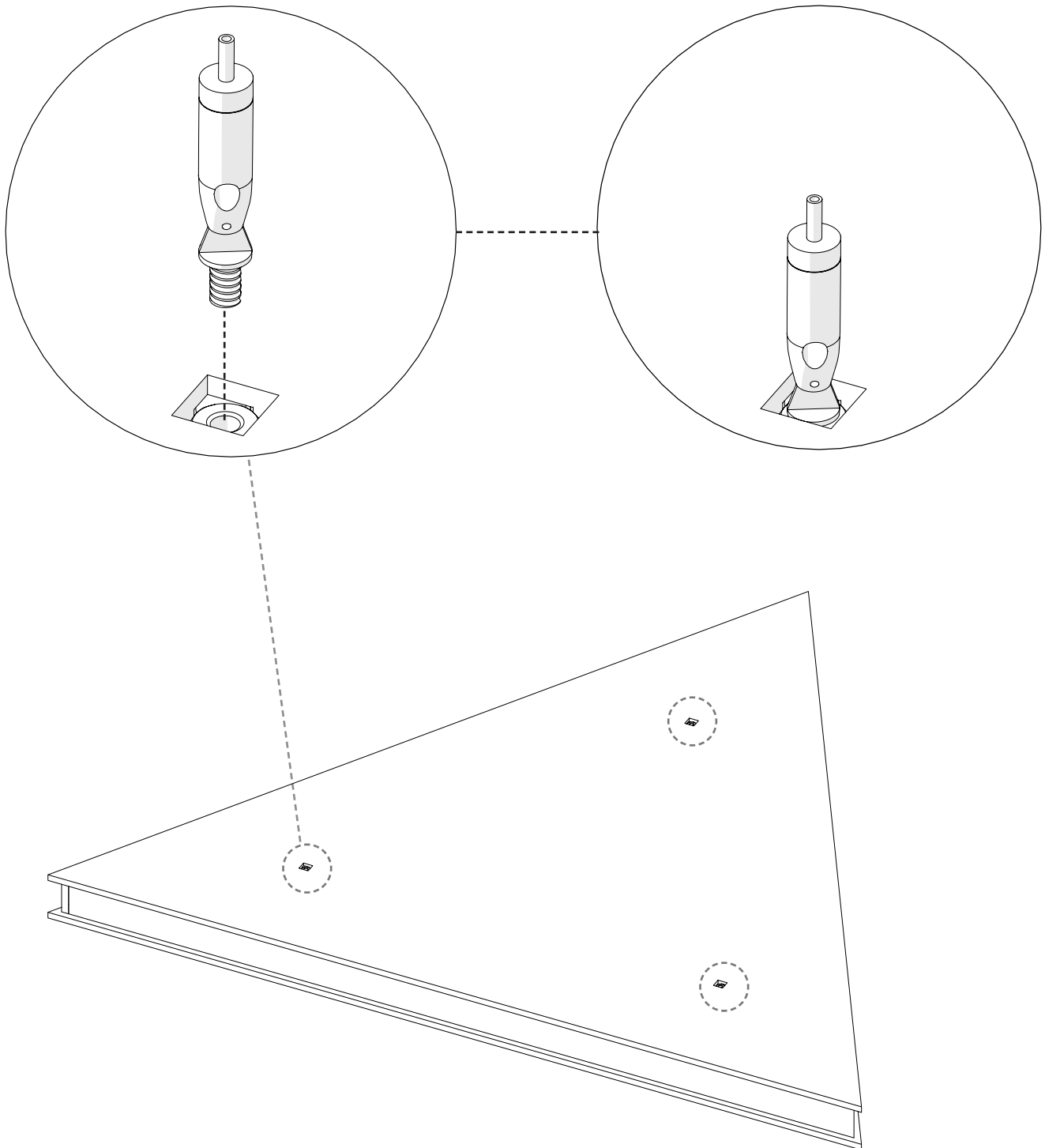


- J** Screw the top cap and inner cable grip back onto the base to complete the assembly.



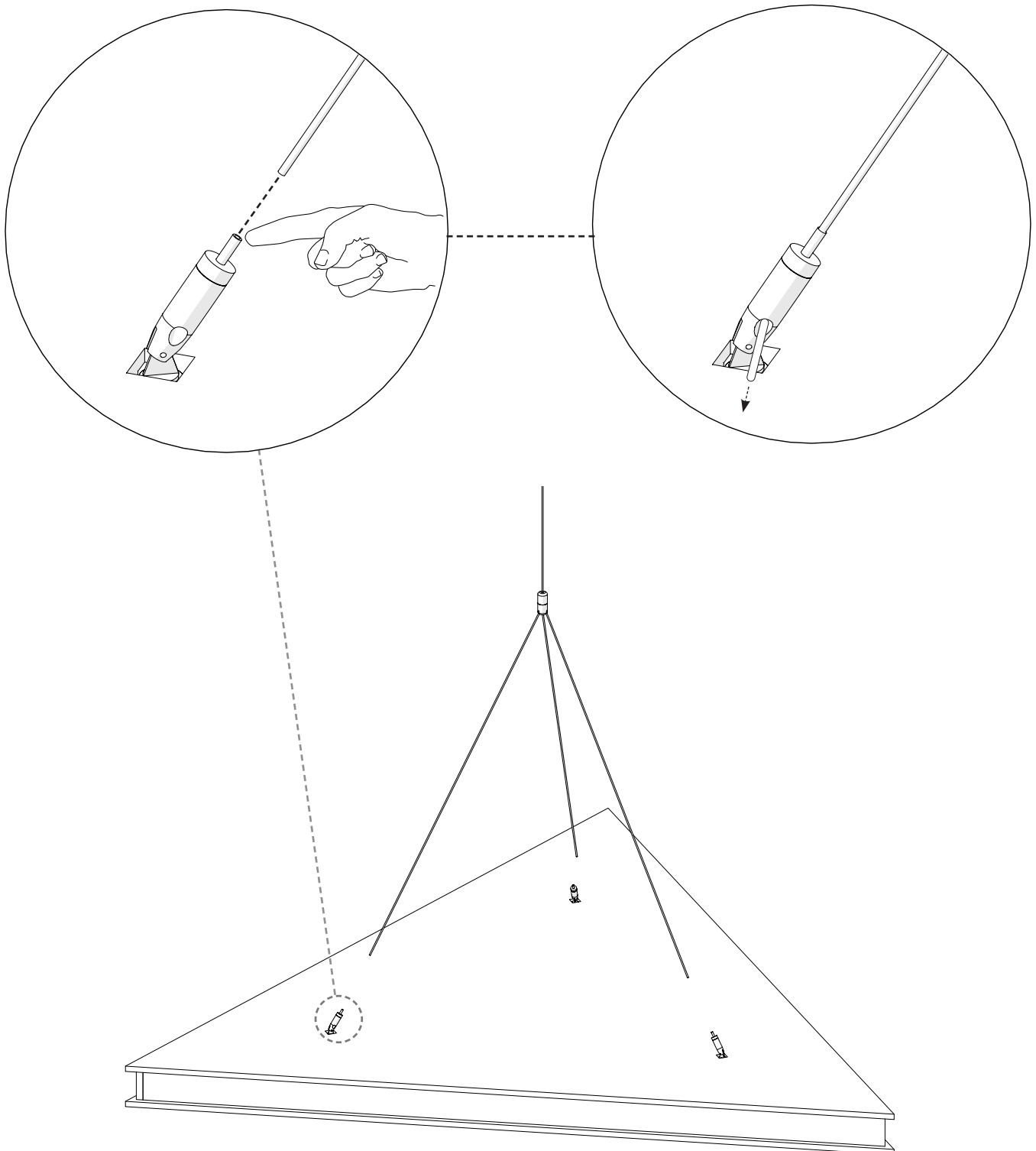
CLOUD-TRIANGLE: INSTALLATION INSTRUCTIONS

- 2 Insert the jointed Grip Locks into each hex nut embedded in the CLOUD.



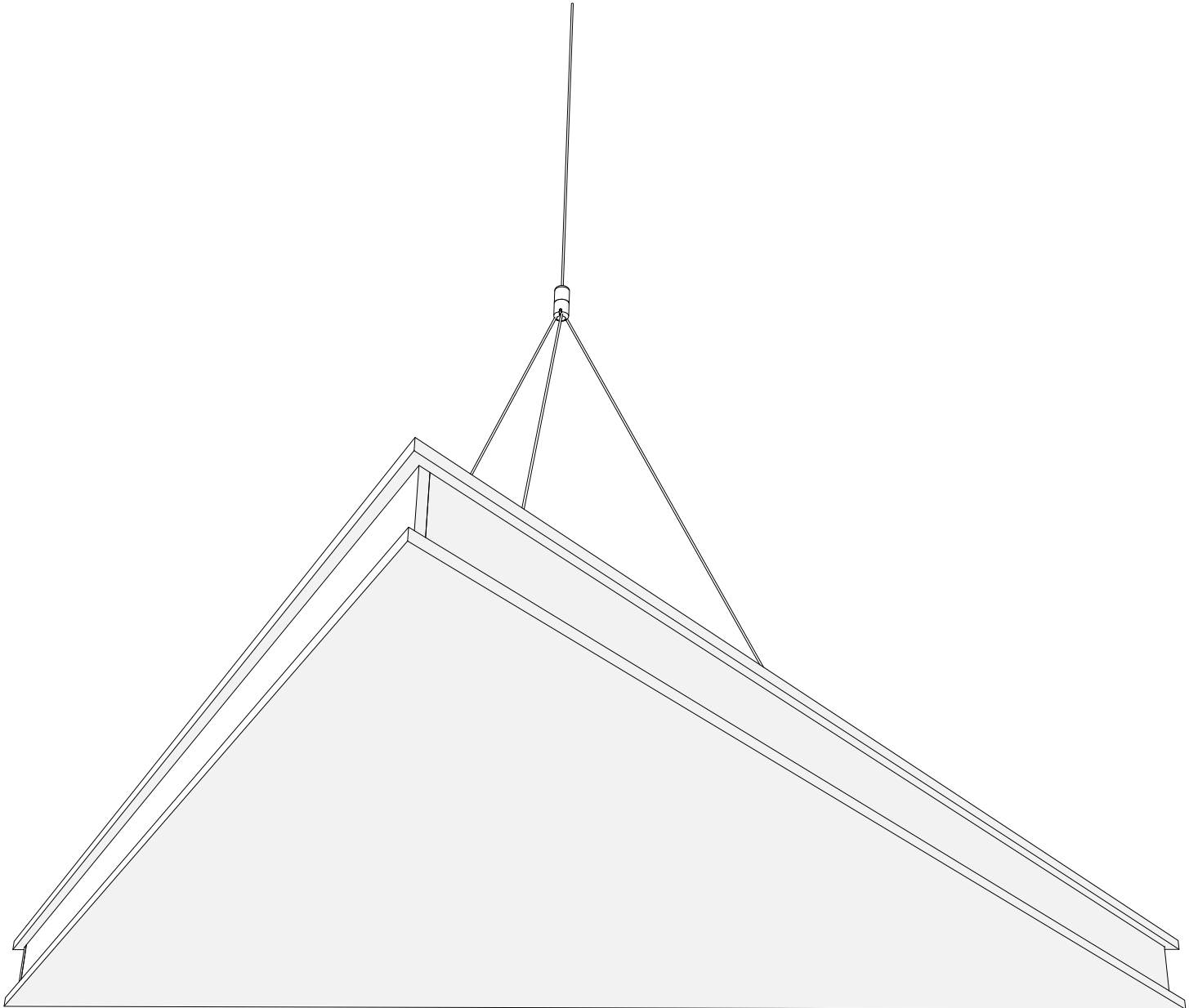
CLOUD-TRIANGLE: INSTALLATION INSTRUCTIONS

- 3 Press down firmly on the plunger of the Grip Lock while inserting the aircraft cables. Thread the cable through the side opening, and release the plunger to lock the cable in place.



CLOUD-TRIANGLE: INSTALLATION INSTRUCTIONS

- 4** Hang and level Triangle CLOUD according to your preferred method.



INSTALLATION COMPLETE.