

TILT BAFL Installation (Non Lit)

Acoustical Baffle

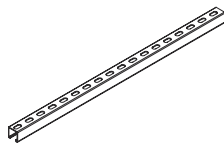
These installation suggestions consist of a common process for baffle installation. Installers should rely upon their own professional experience and understanding of their unique requirements to ensure a successful install.

Confirm your Unistrut installation has been completed. Consult with a professional about a proper Unistrut installation for your ceiling type (concrete vs. sheet-rock).

Tools You Will Need

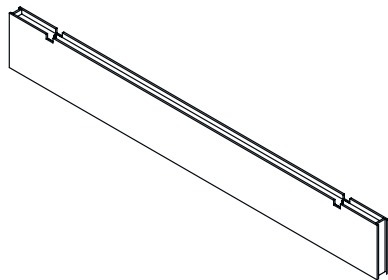


Drill

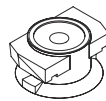


Unistrut Installed

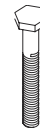
Items Included



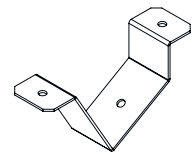
Tilt Baf



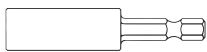
(2) Nylon Core Nut



(2) 1/4-20 Bolt



(2) Tilt Bracket



Hanger Bolt Driver
(IVY Classic)

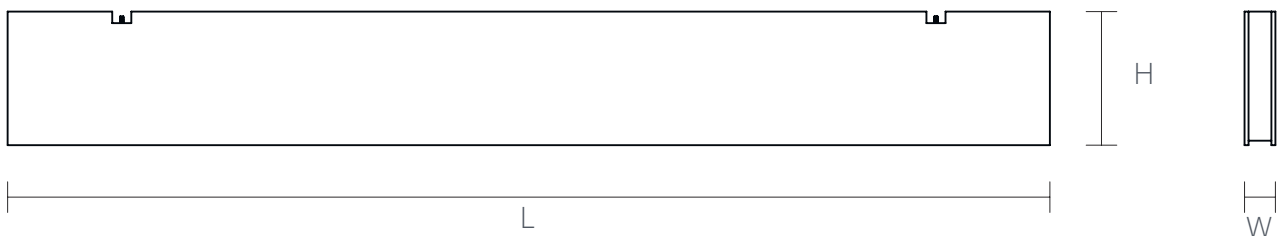


(2) 1/4-20 Nut



(2) Fender Washer

1. Unwrap Baffle from plastic wrap. Confirm baffle dimensions match your needs.



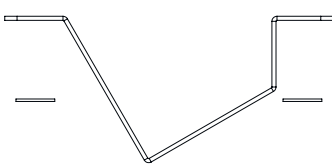
TILT BAFL Installation

Acoustical Baffle

2. Installing Tilt Bracket to Unistrut



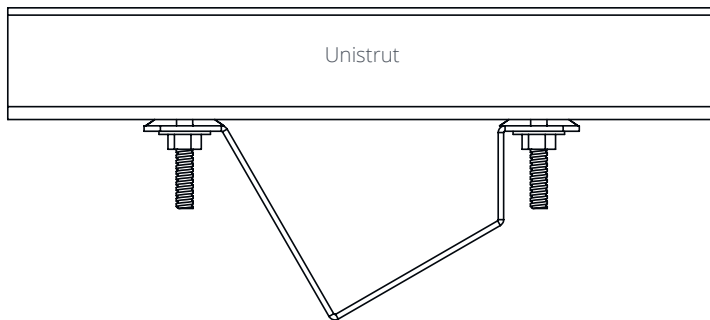
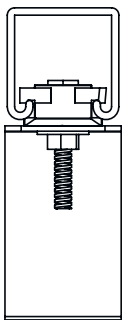
1. Screw the bolt through center of cone nut



2. Insert tilt bracket & fender washer



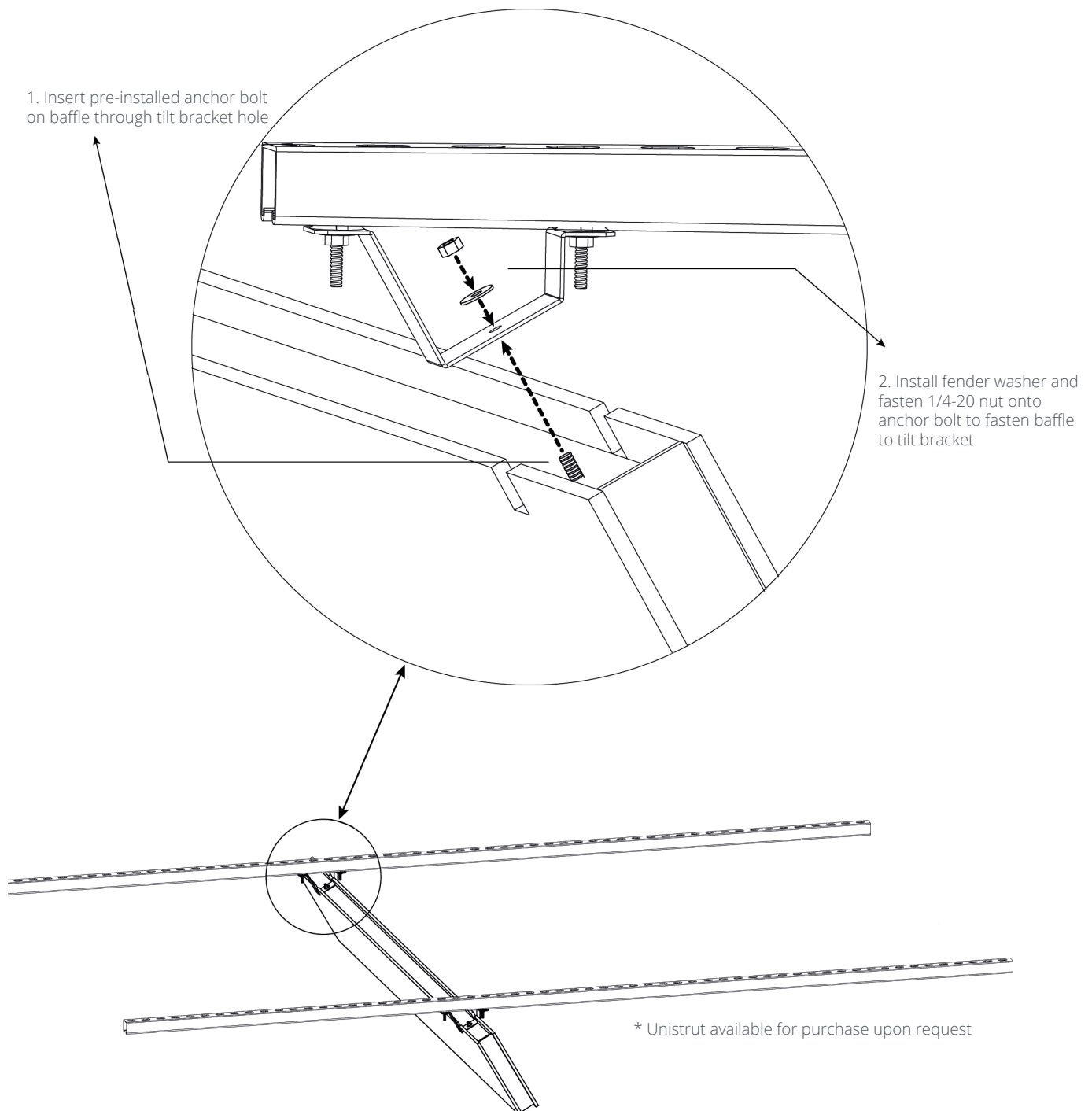
3. Screw on nut to the bolt



TILT BAFL Installation

Acoustical Baffle

3. Installing baffle to Tilt Bracket.



TILT BAFL Installation

Acoustical Baffle

4. Sample Layout Views

