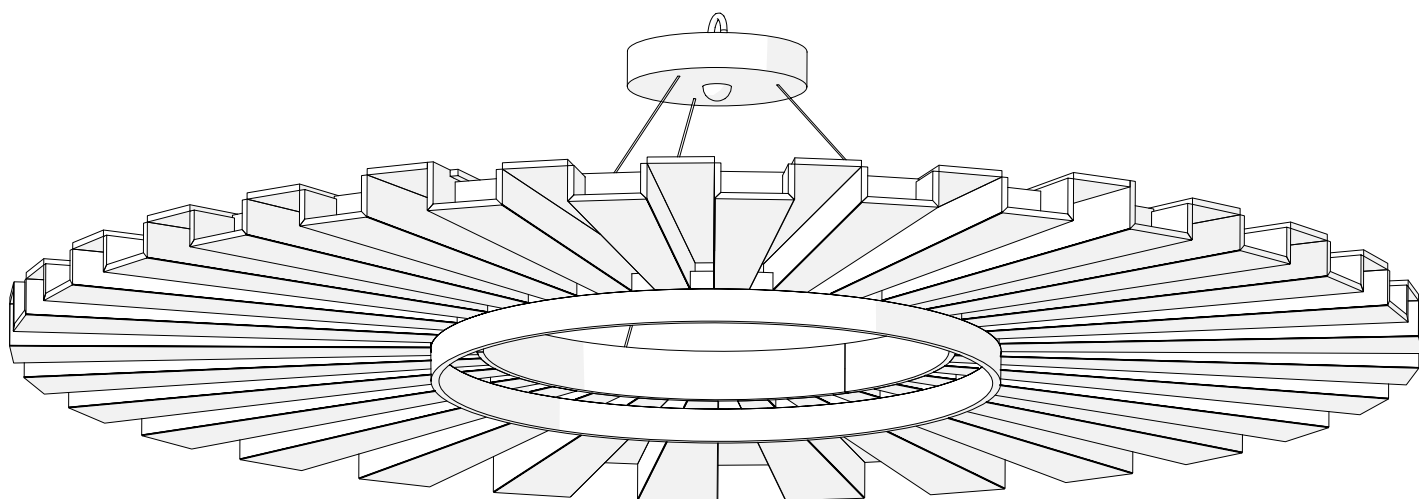
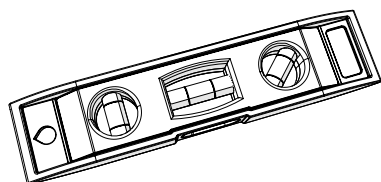


UFO LIGHT: INSTALLATION INSTRUCTIONS

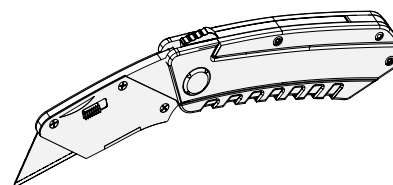
ACOUSTIC LIGHTING



REQUIRED TOOLS



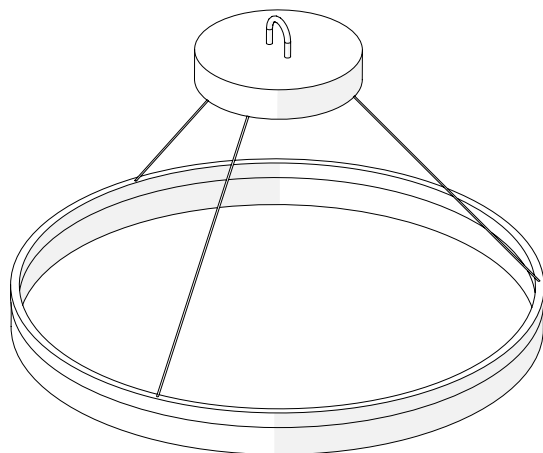
Level



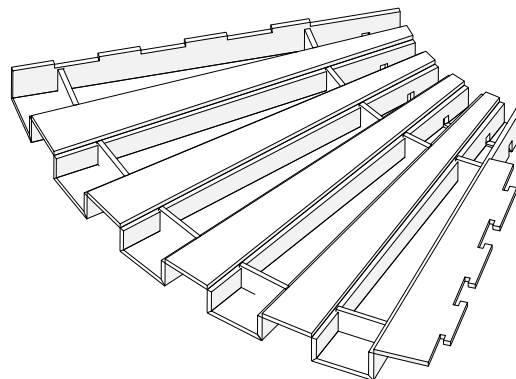
Razor Knife

UFO LIGHT: INSTALLATION INSTRUCTIONS

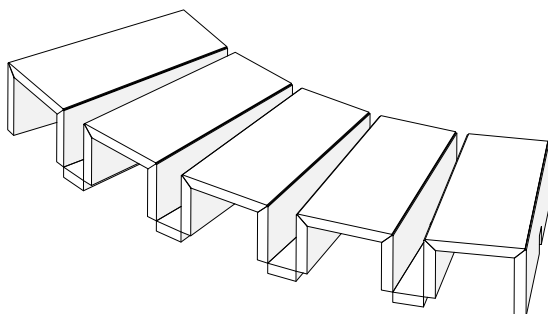
INCLUDED COMPONENTS



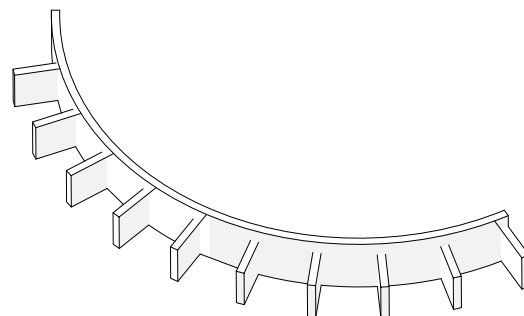
Halo Light [x1]



Fin [x6]



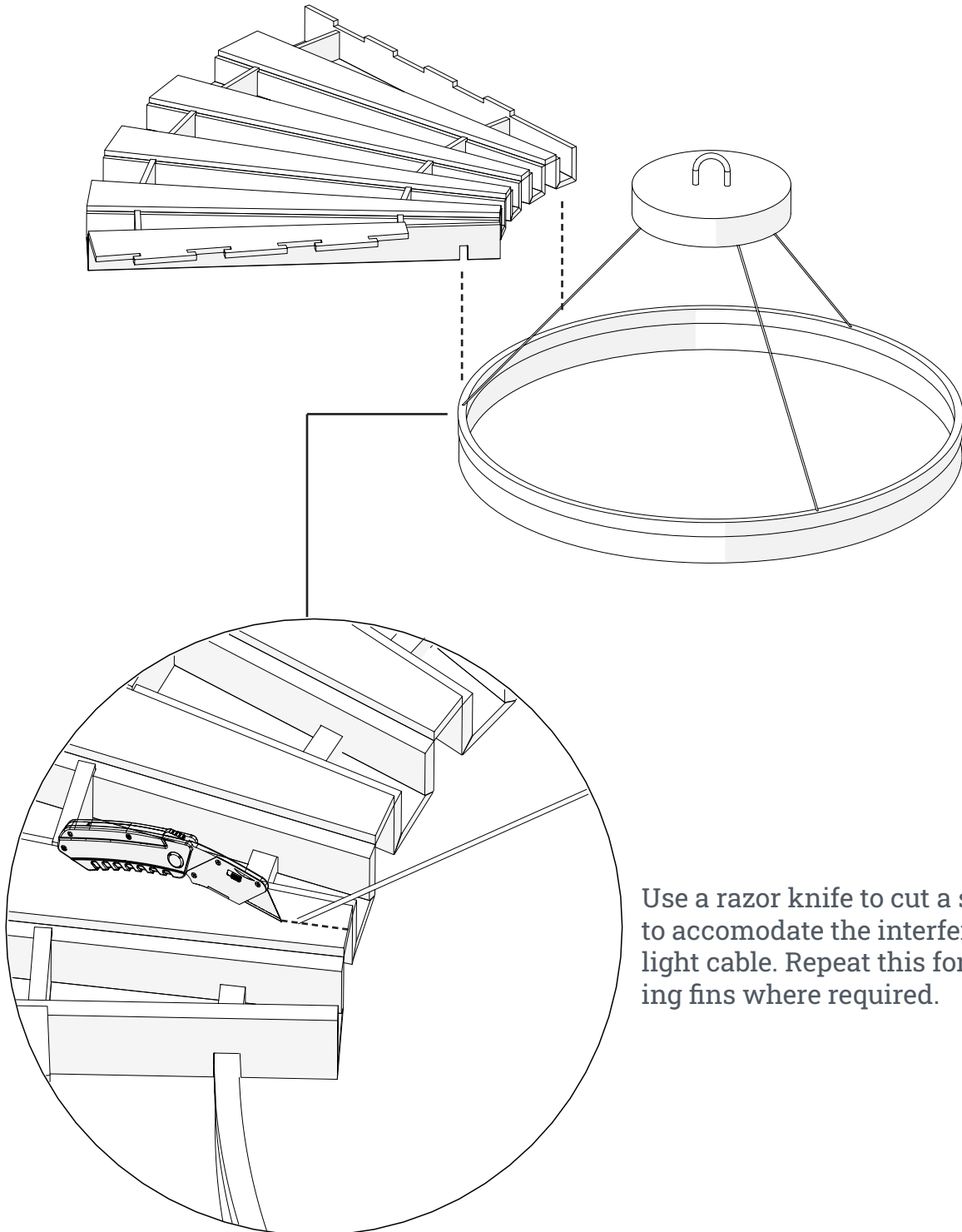
Retainer [x6]



Inner Cover [x3]

UFO LIGHT: INSTALLATION INSTRUCTIONS

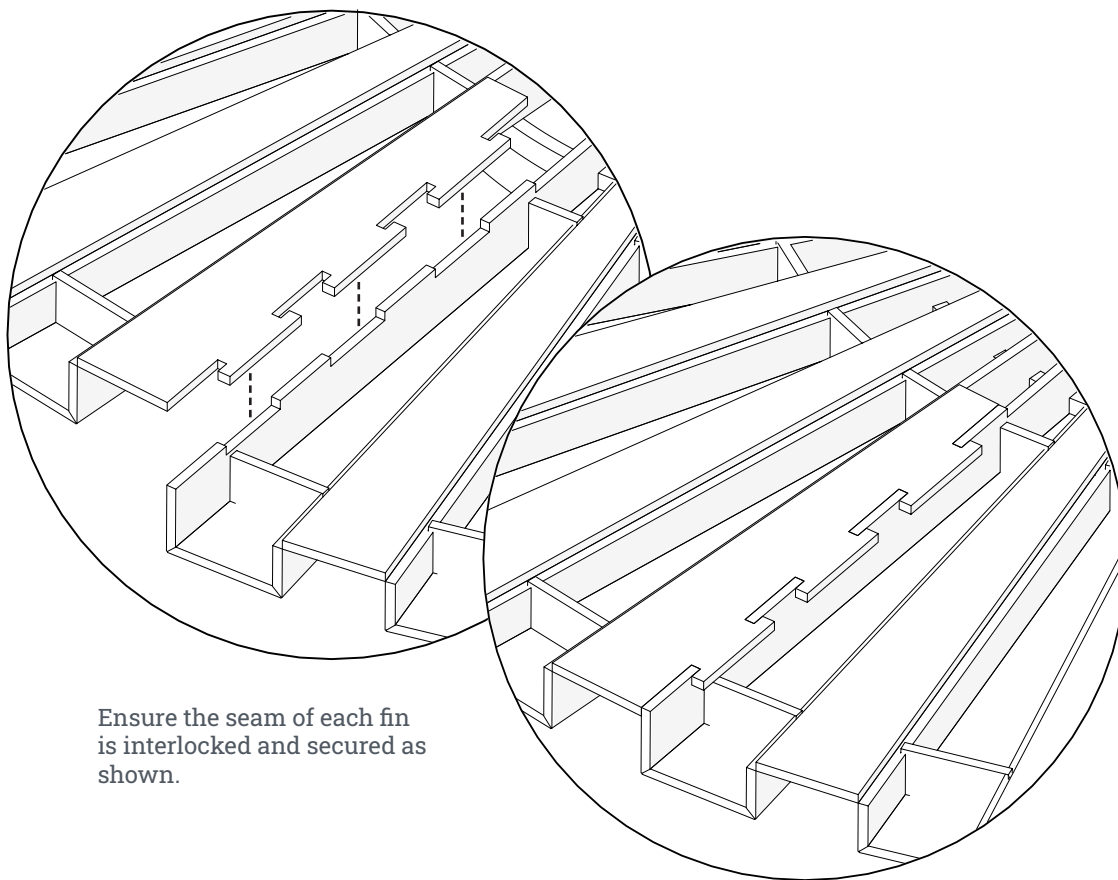
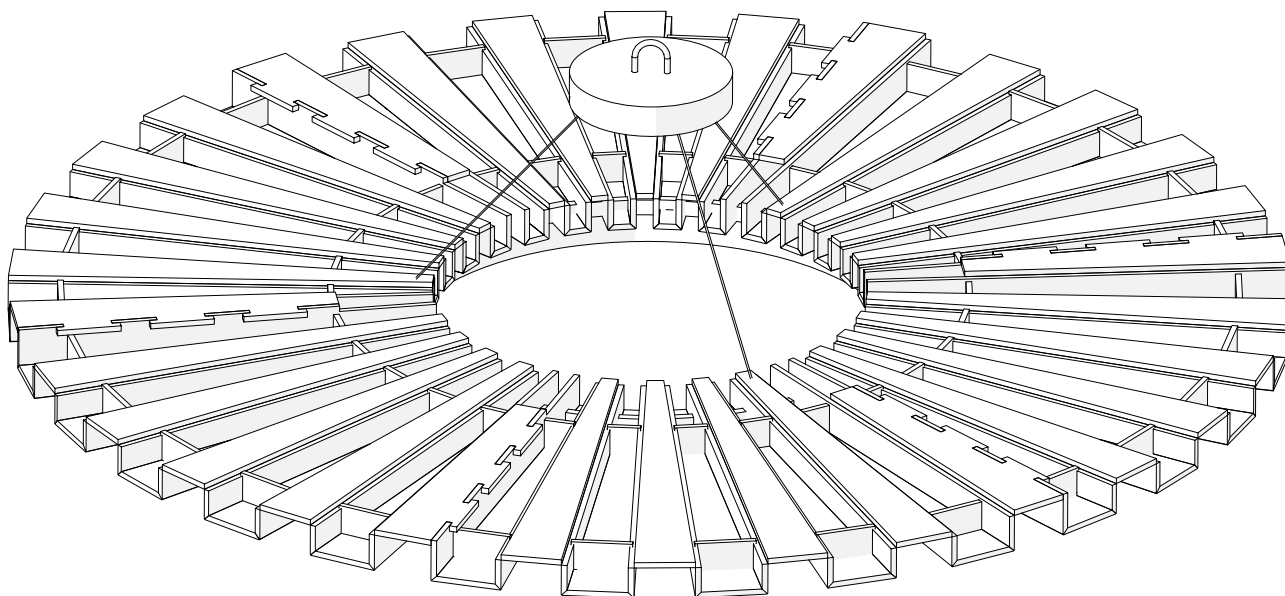
- 1 Align the notch located on the bottom of the fin and connect it to the halo light.



Use a razor knife to cut a slit in the fin to accommodate the interference of the light cable. Repeat this for the remaining fins where required.

UFO LIGHT: INSTALLATION INSTRUCTIONS

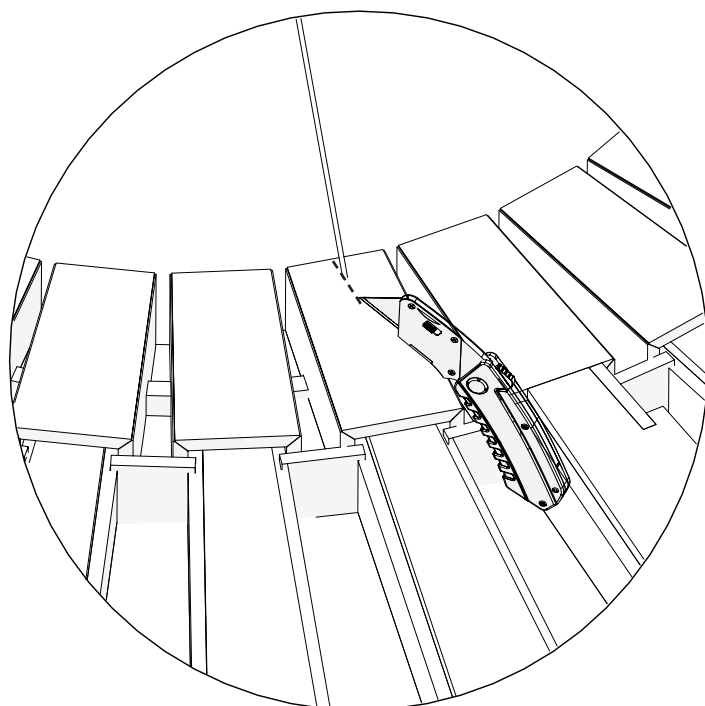
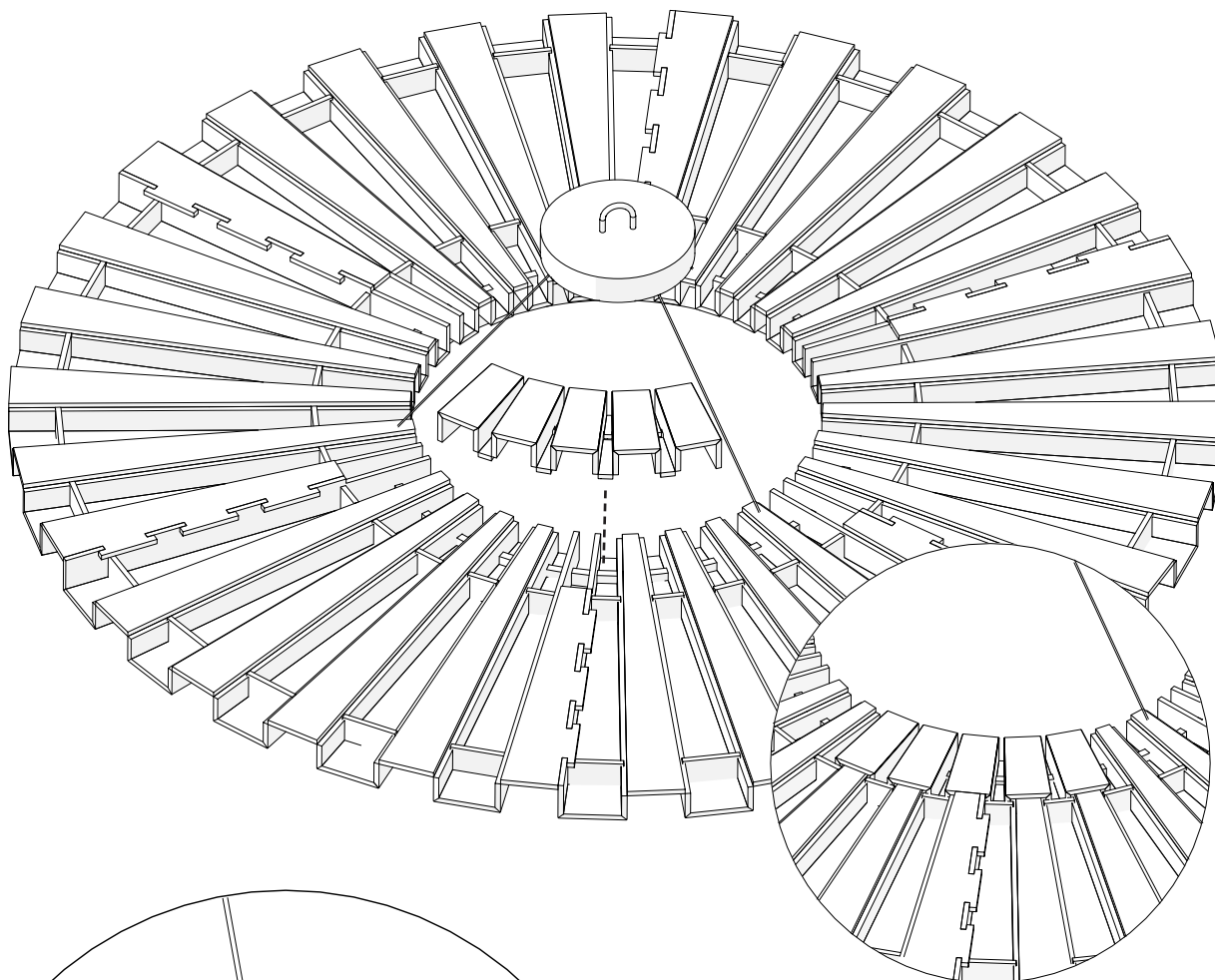
2 Connect the remaining fins.



Ensure the seam of each fin is interlocked and secured as shown.

UFO LIGHT: INSTALLATION INSTRUCTIONS

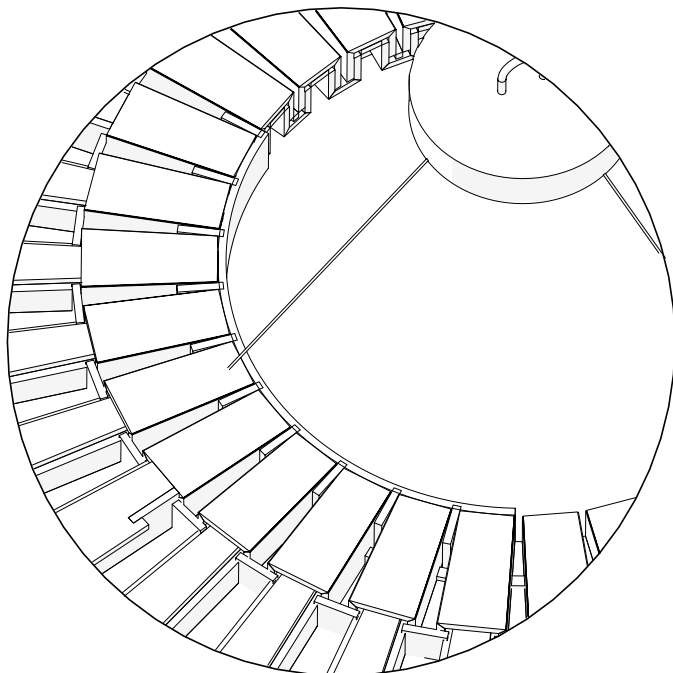
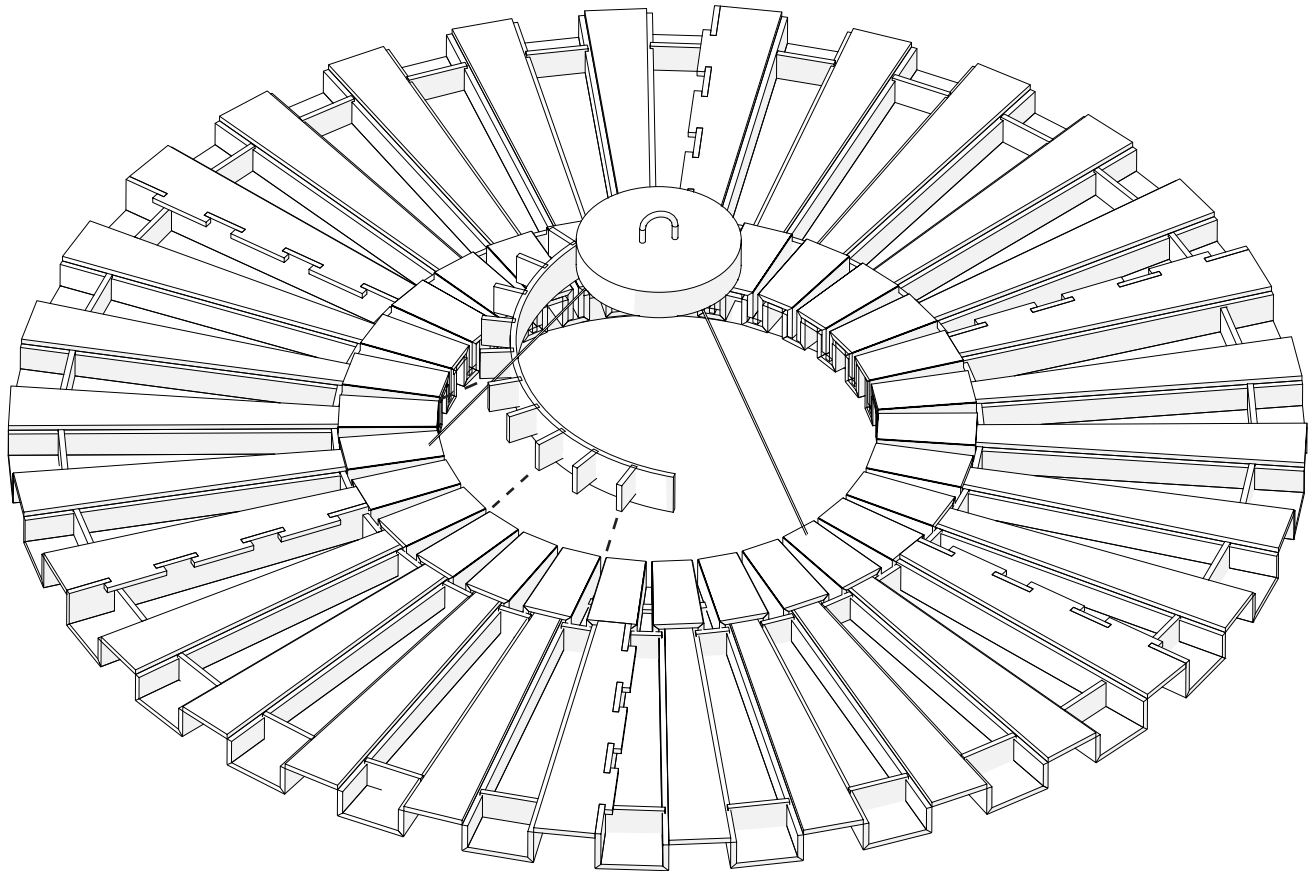
3 Align and install the retainers as shown.



Repeat the process of cutting a slit in the retainers to accommodate the light cables.

UFO LIGHT: INSTALLATION INSTRUCTIONS

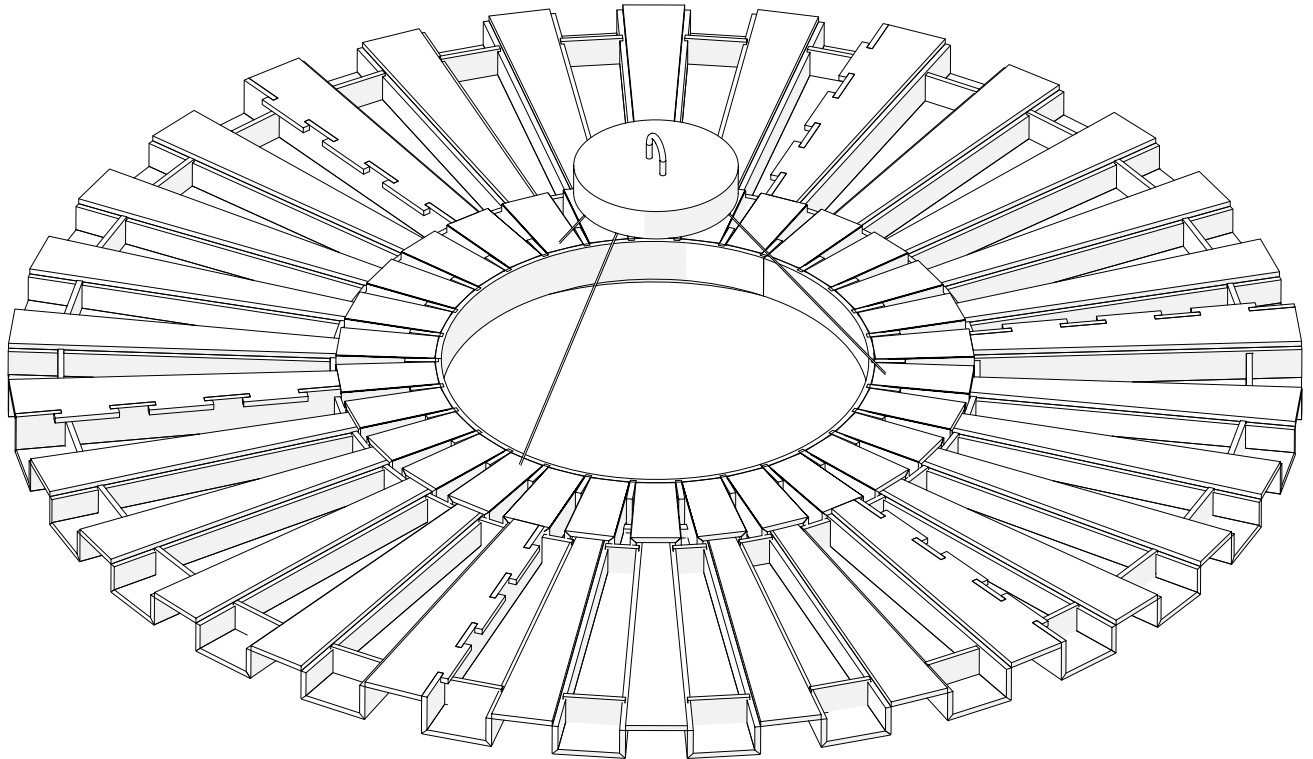
4 Install the 3 inner covers as shown.



Cutting a slit is not required to install the inner covers. You may need to bend them gently from inside the inner diameter of UFO to secure them in place.

UFO LIGHT: INSTALLATION INSTRUCTIONS

- 5 Install the remaining inner covers and hang the UFO light according to your chosen methods.



Installation complete.