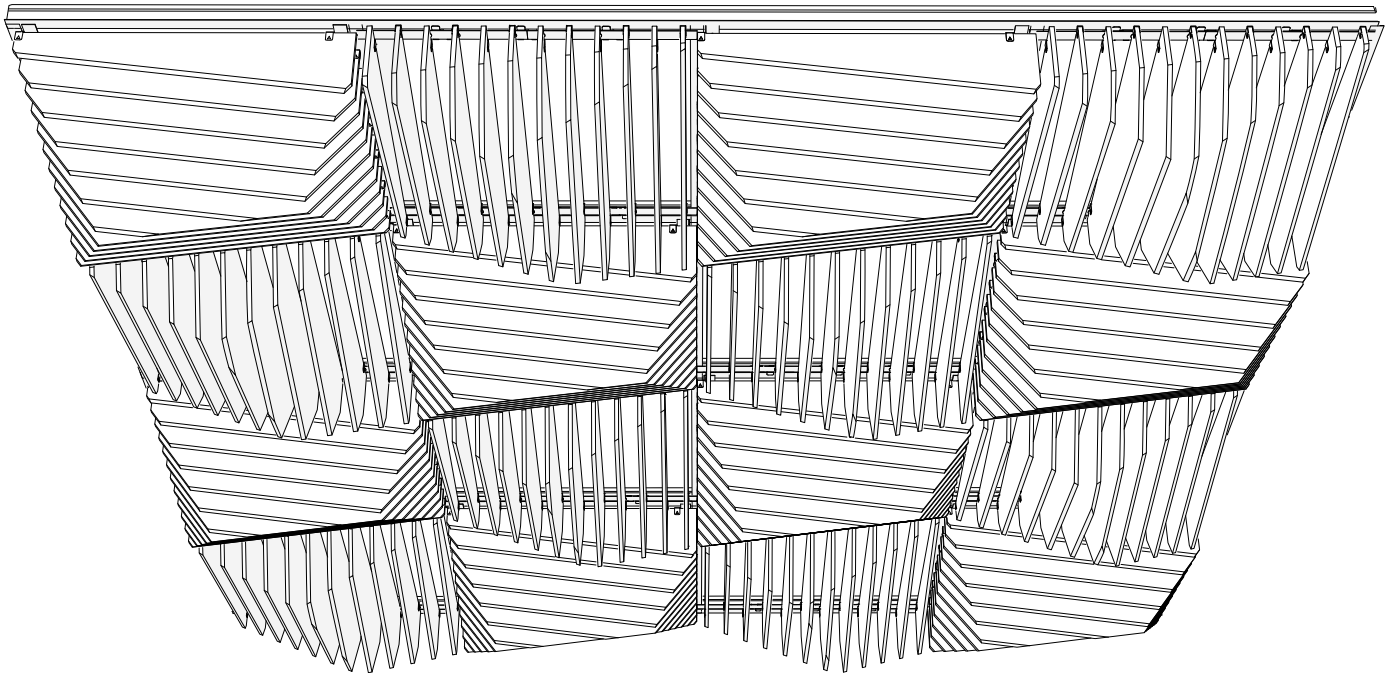


# VIBE (FINS)

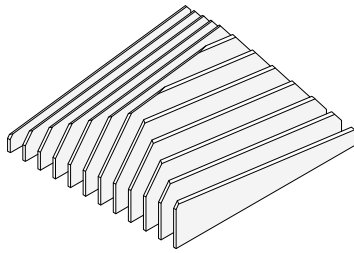
## 2'X2' 15/16" T-GRID CEILING\* INSTALLATION INSTRUCTIONS



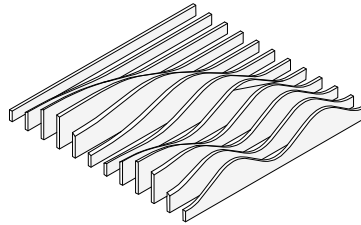
*\*15/16" T-Grid not included. Follow the T-Grid manufacturer's instructions for proper installation.*

## VIBE (FINS): INCLUDED COMPONENTS

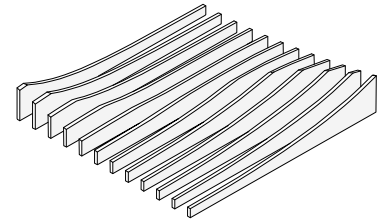
*Quantities dependent on order specifications.*



CLIF

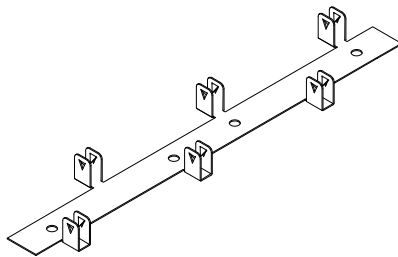


NAMI

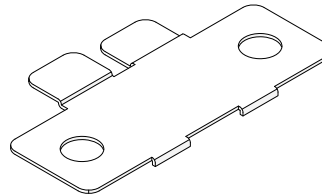


SWAY

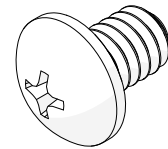
VIBE (FINS) fins, Qty 12 per VIBE



VIBE Spike Bracket  
Qty 4 per VIBE



T-Grid Clip  
Qty 6 per VIBE



1/4\"-20 Screws  
Qty 12 per VIBE

## OPTIONAL TOOLS

*Tools needed will depend on site conditions and obstacles.*



Utility Knife



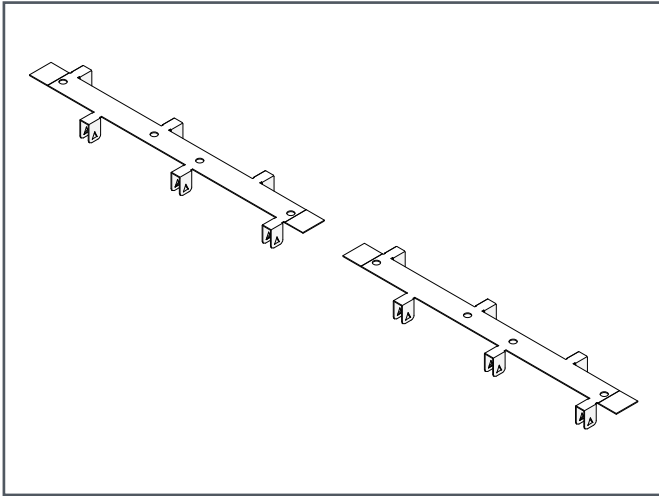
Tape Measure



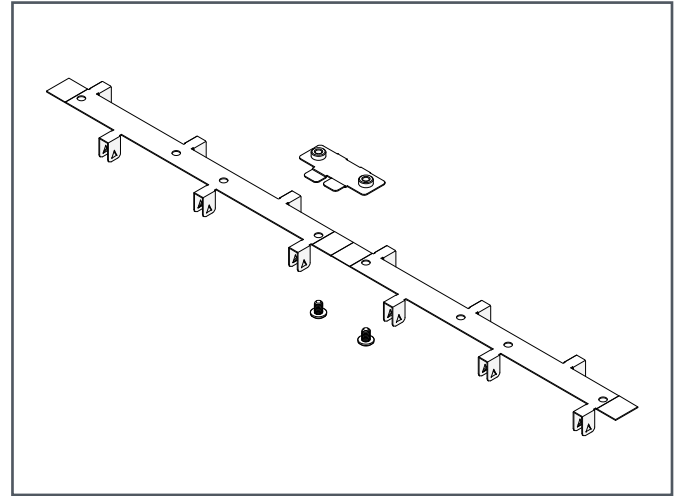
Power Drill

## VIBE (FINS): VIBE BRACKET ASSEMBLY

1

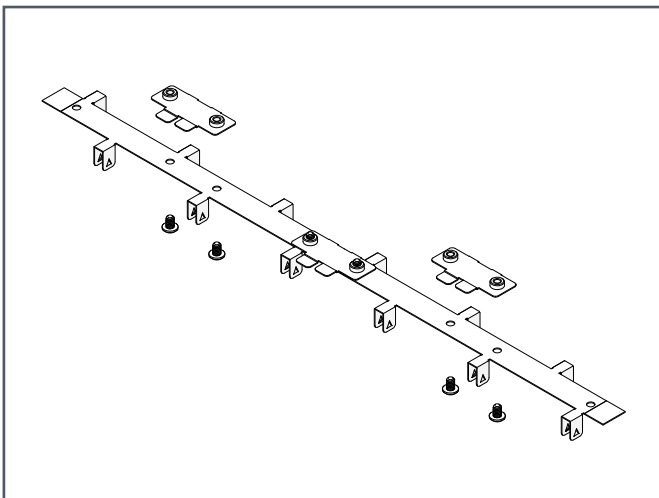


2

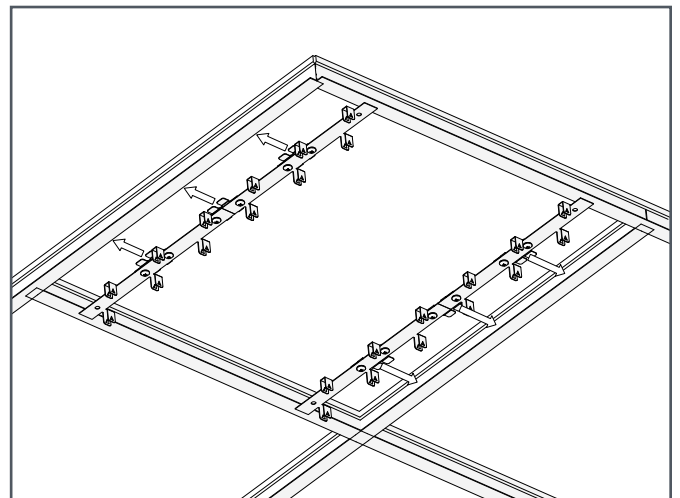


Butt up 2 VIBE Brackets end to end, and fasten the screws through the front of the VIBE Bracket into the T-Grid Clip.

3



4

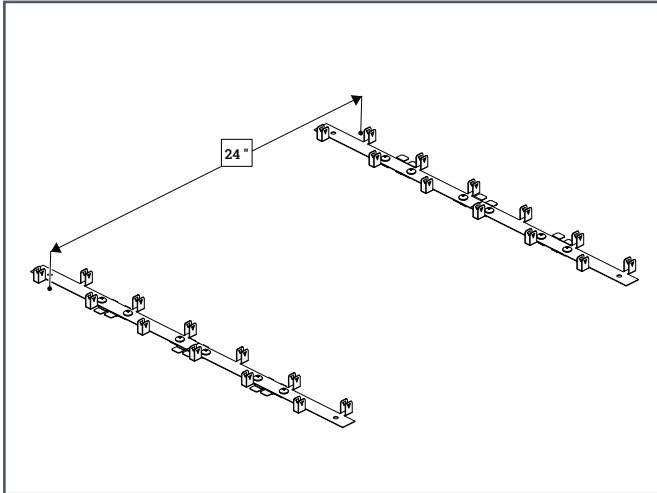


Fasten 2 T-Grid Clips to the VIBE Brackets, through the adjacent holes. Ensure the small fins on the side of the T-Grid Clips face the same direction as the middle T-Grid Clip.

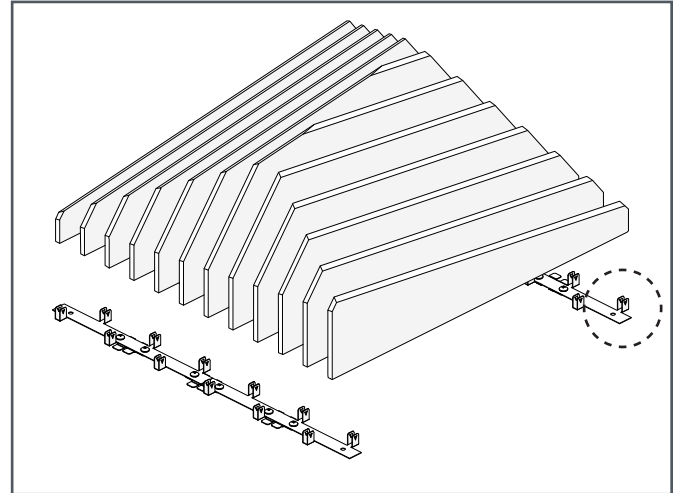
Clip 2 rows of VIBE Brackets on opposing T-Grid beams.

## VIBE (FINS): VIBE FINS ASSEMBLY

1

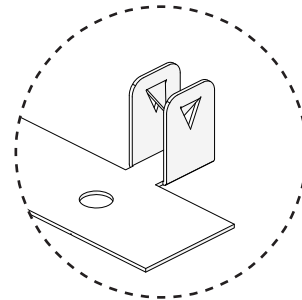
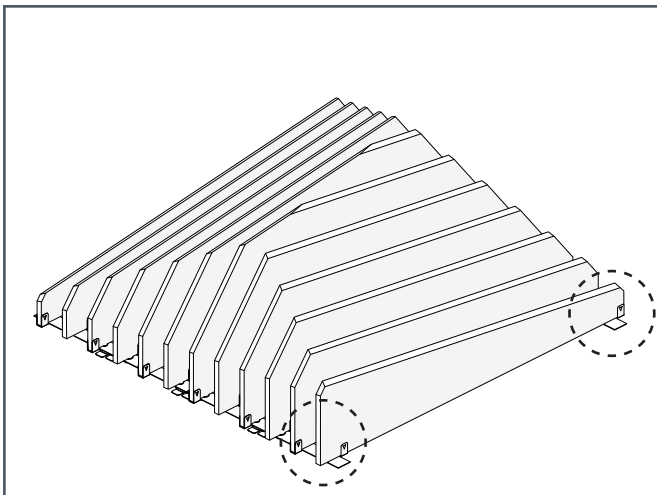


2

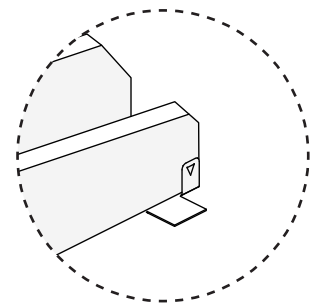
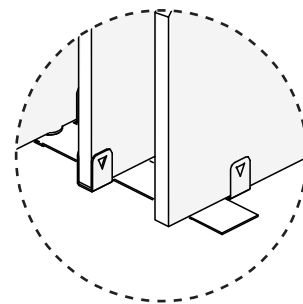


The VIBE Brackets previously installed in the T-Grid should be 24" apart. Place the fins in the correct order, preparing them to be inserted in the VIBE brackets. See next page for order information based on product ordered (NAMI/SWAY/CLIF).

3



Sheet metal spike "ears"



Slide the fins into the spike "ears" of the VIBE Brackets. For each fin, one end should be flush with the end of spike "ear". This will alternate between adjacent fins.

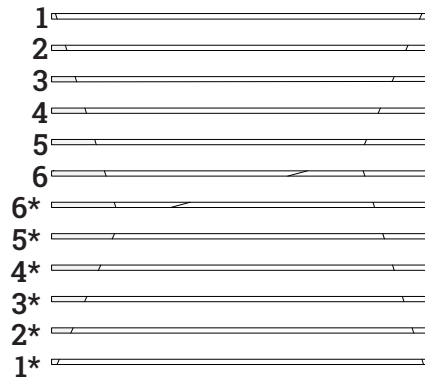
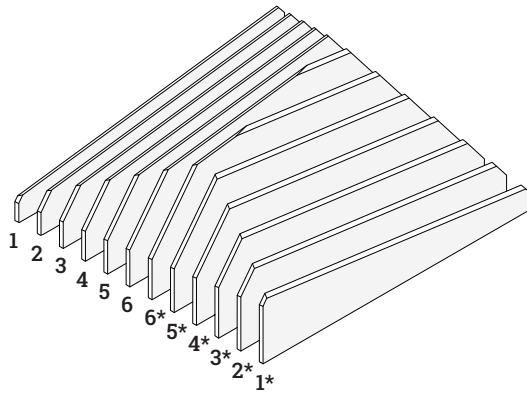
# Installation Complete.

## VIBE (FINS): FINS ORDER

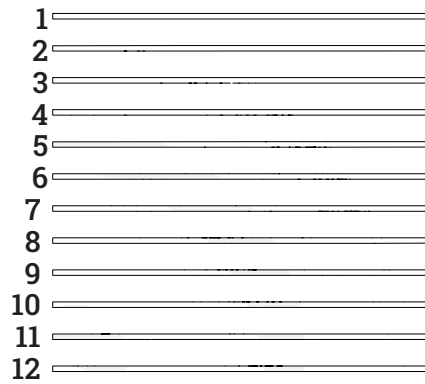
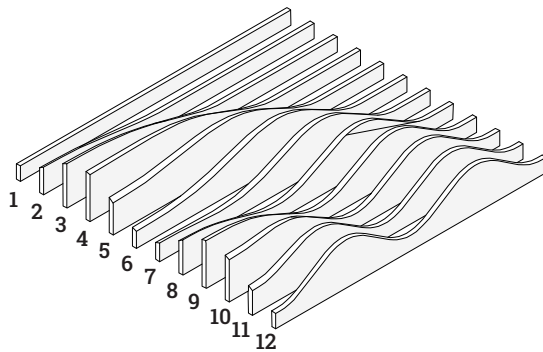
Fins will arrive labeled as shown.

(\*) Starred fins are duplicates that must be rotated 180° from their same fin.

### CLIF



### NAMI



### SWAY

