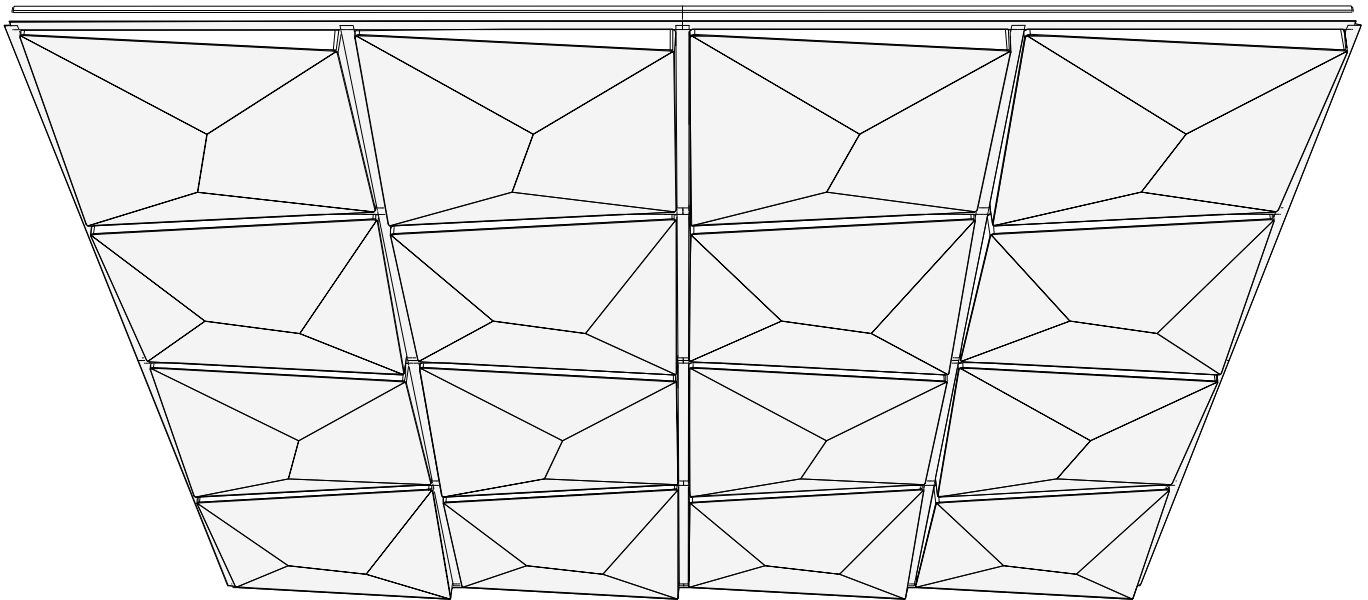


VIBE (SOLID)

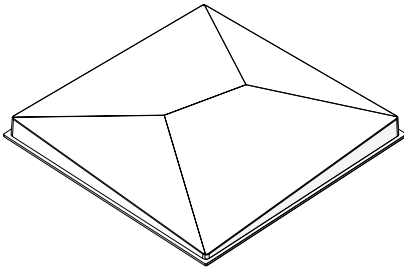
15/16" T-GRID CEILING* INSTALLATION INSTRUCTIONS



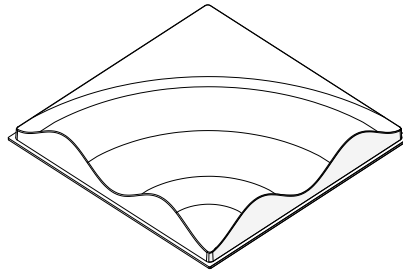
**15/16" T-Grid not included. Follow the T-Grid manufacturer's instructions for proper installation.*

VIBE (SOLID): INCLUDED COMPONENTS

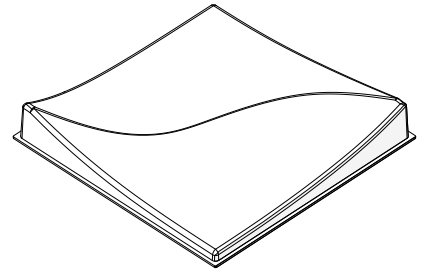
Quantities dependent on order specifications.



CLIF



NAMI



SWAY

VIBE (SOLID) Shapes

OPTIONAL TOOLS

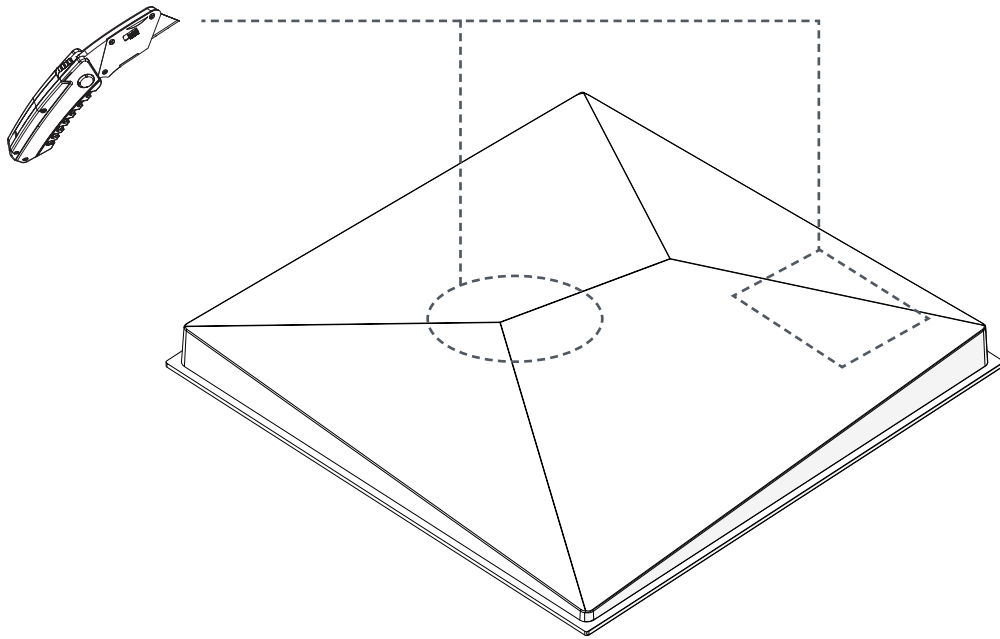
Tools needed will depend on site conditions and obstacles.



VIBE (SOLID)

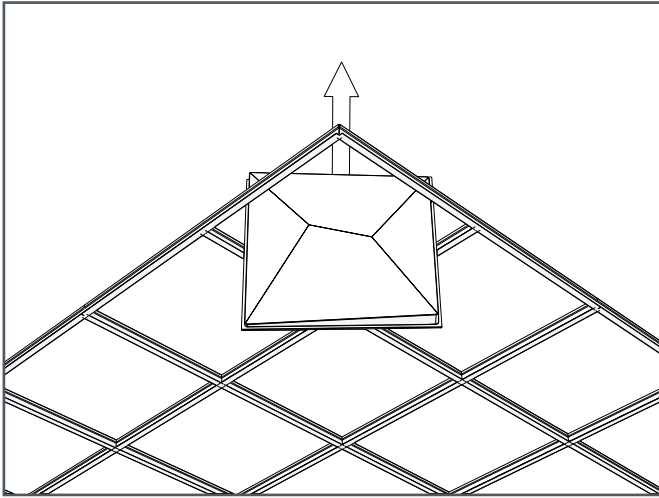
VIBE (SOLID) can be cut to fit around obstacles in the ceiling, such as light fixtures and sprinkler heads.

Mark all areas to be cut out, and cut with a knife.

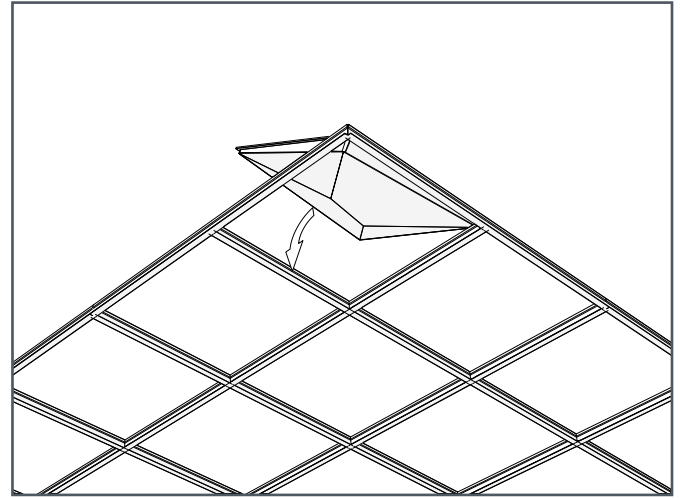


VIBE (SOLID): INSTALLATION INSTRUCTIONS

1

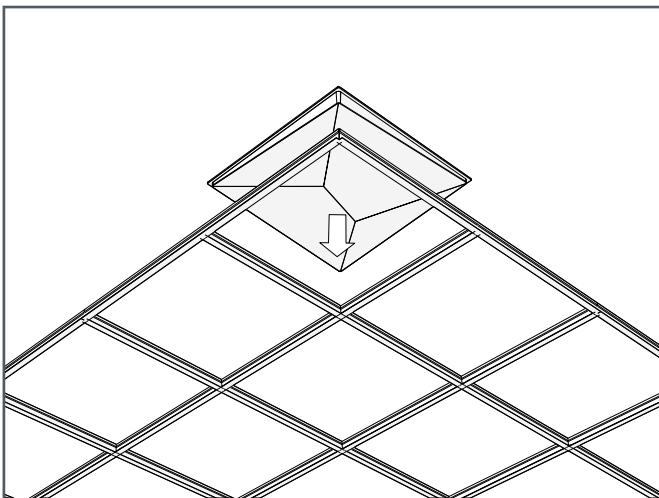


2

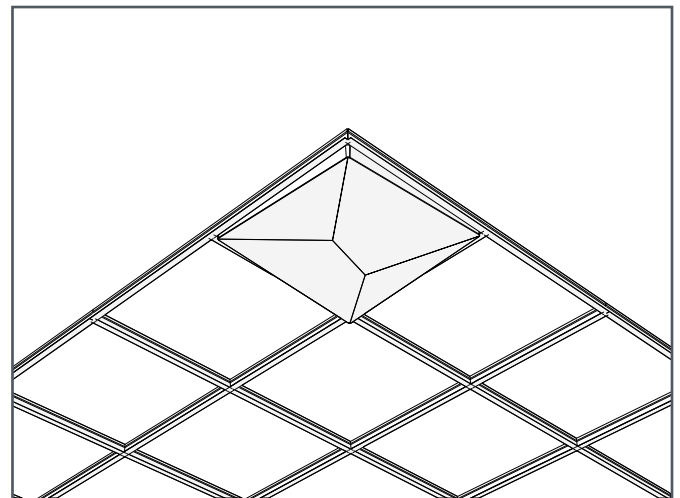


Insert the VIBE (Solid) into the existing 15/16" T-Grid cell at a diagonal angle. With the VIBE (Solid) on top of the T-Grid, rotate it into alignment with the T-Grid opening.

3



4

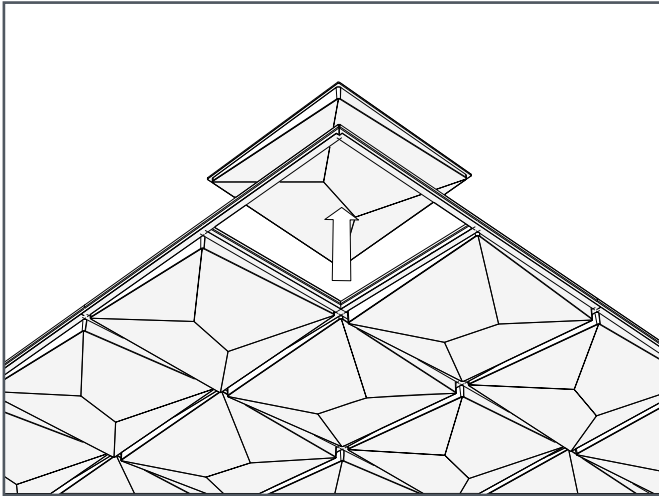


Drop the VIBE (Solid) into the T-Grid, and ensure it is secure. Repeat for the adjacent VIBE (Solid).

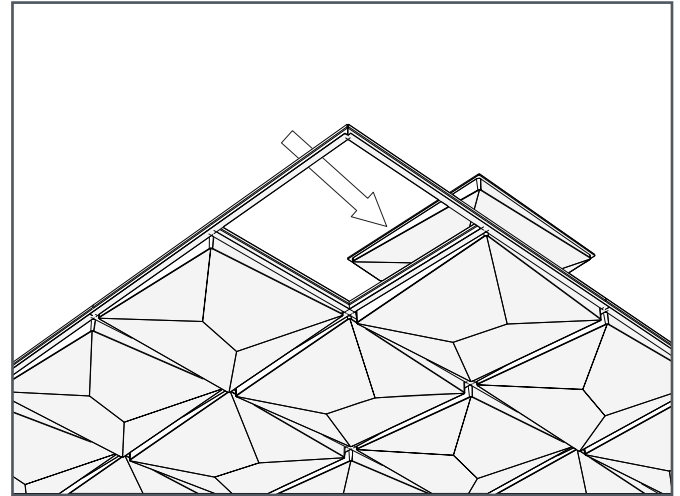
Installation Complete.

VIBE (SOLID): ACCESS PANEL INSTRUCTIONS

1



2



VIBE (Solid) can act as an access panel. Push up on the panel and push it over the top of the T-grid to access the space above the T-grid ceiling. Reverse the process to reinstall the panel.