

VIBE MOLDED Ceiling Installation - Sway, Nami, Clif

These installation suggestions consist of a common process for VIBE installation. Installers should rely upon their own professional experience and understanding of their unique requirements to ensure a successful install.

VIBE will look best when installed with no gaps between ends or rows.

Tools Needed



Drill
(Optional)

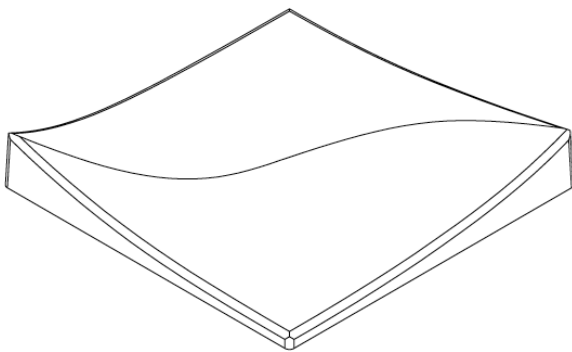


Tape Measure

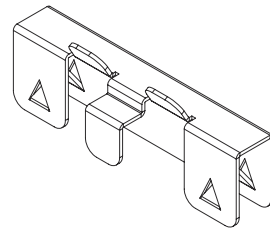


1/2" Thread
Forming Screw
(Optional)

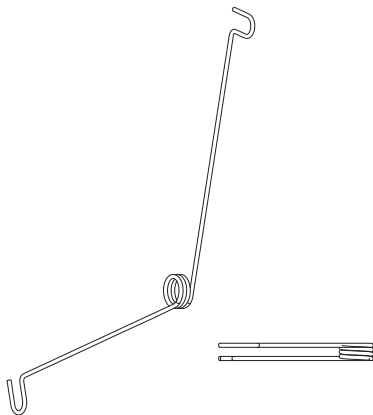
Items Included



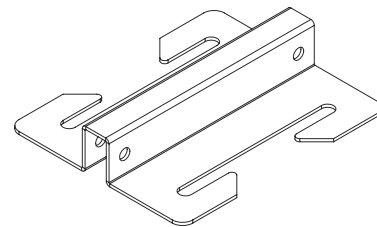
Vibe Panels



Torsion Brackets
(Come attached to the panel)

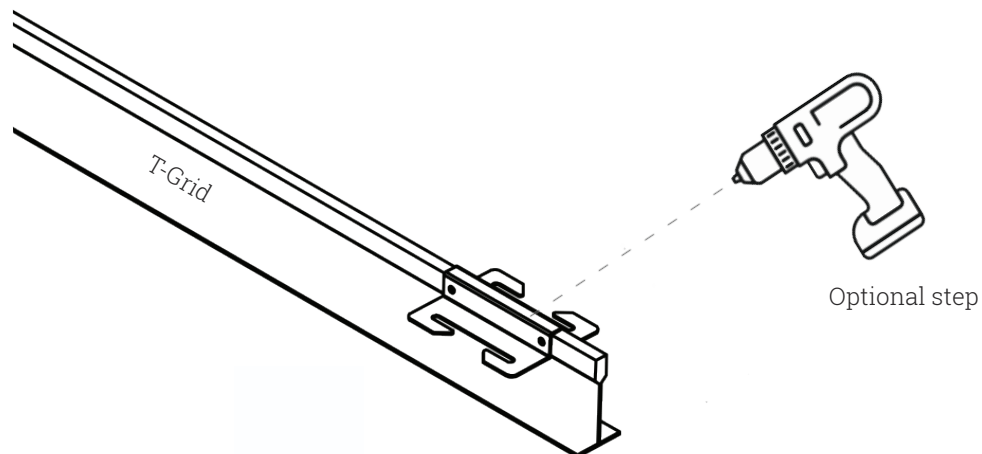


Tension Springs

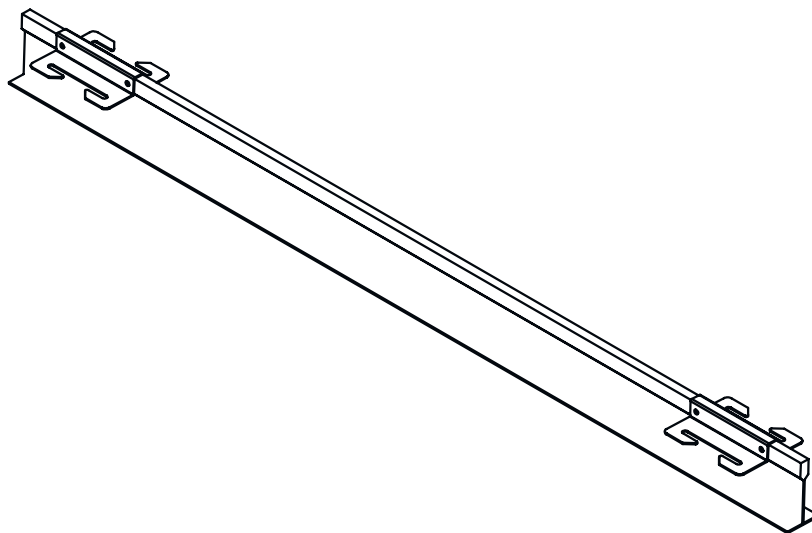


T-Grid Retainer Brackets

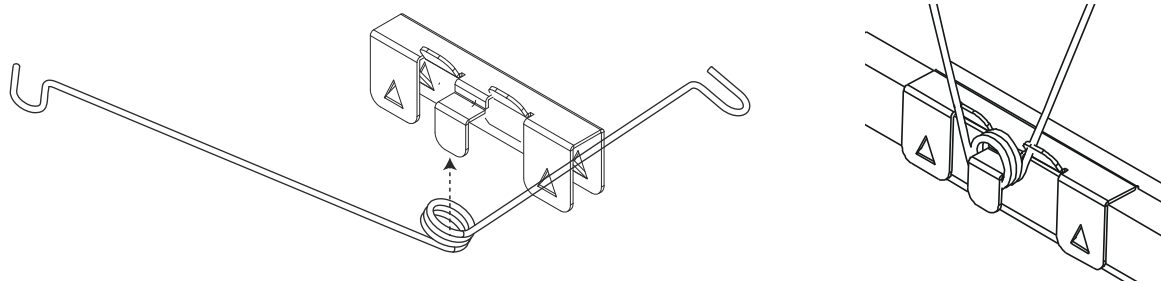
1. Place T-Grid retainer brackets on the T-grid of ceiling.
(Securing some retainer brackets with screws is optional.)



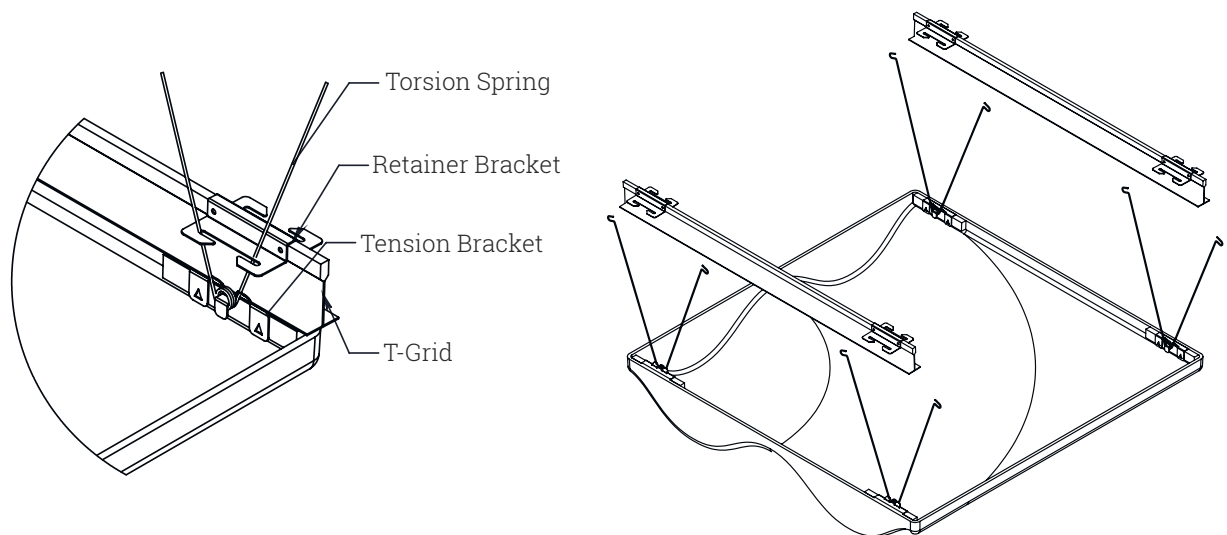
2. Space T-Grid retainer brackets evenly to accommodate Vibe Panel Torsion Brackets.



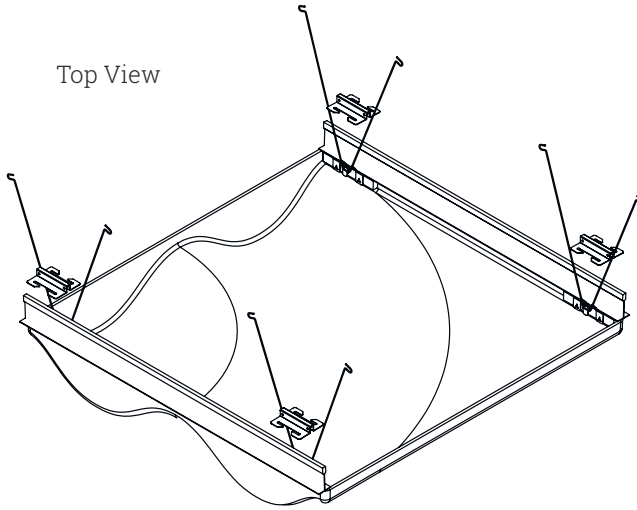
3. Attach a tension spring to a torsion bracket on each side of the VIBE panel by looping the center of the spring around the center of the bracket.



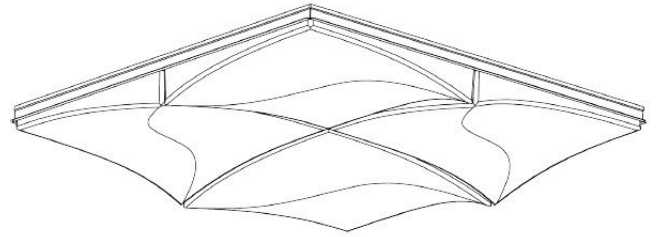
4. Pinch the ends of the tension spring together to insert into the T-Grid retainer bracket, suspending the VIBE panel from the T-Grid of the ceiling.



Top View



Bottom View



Install View

