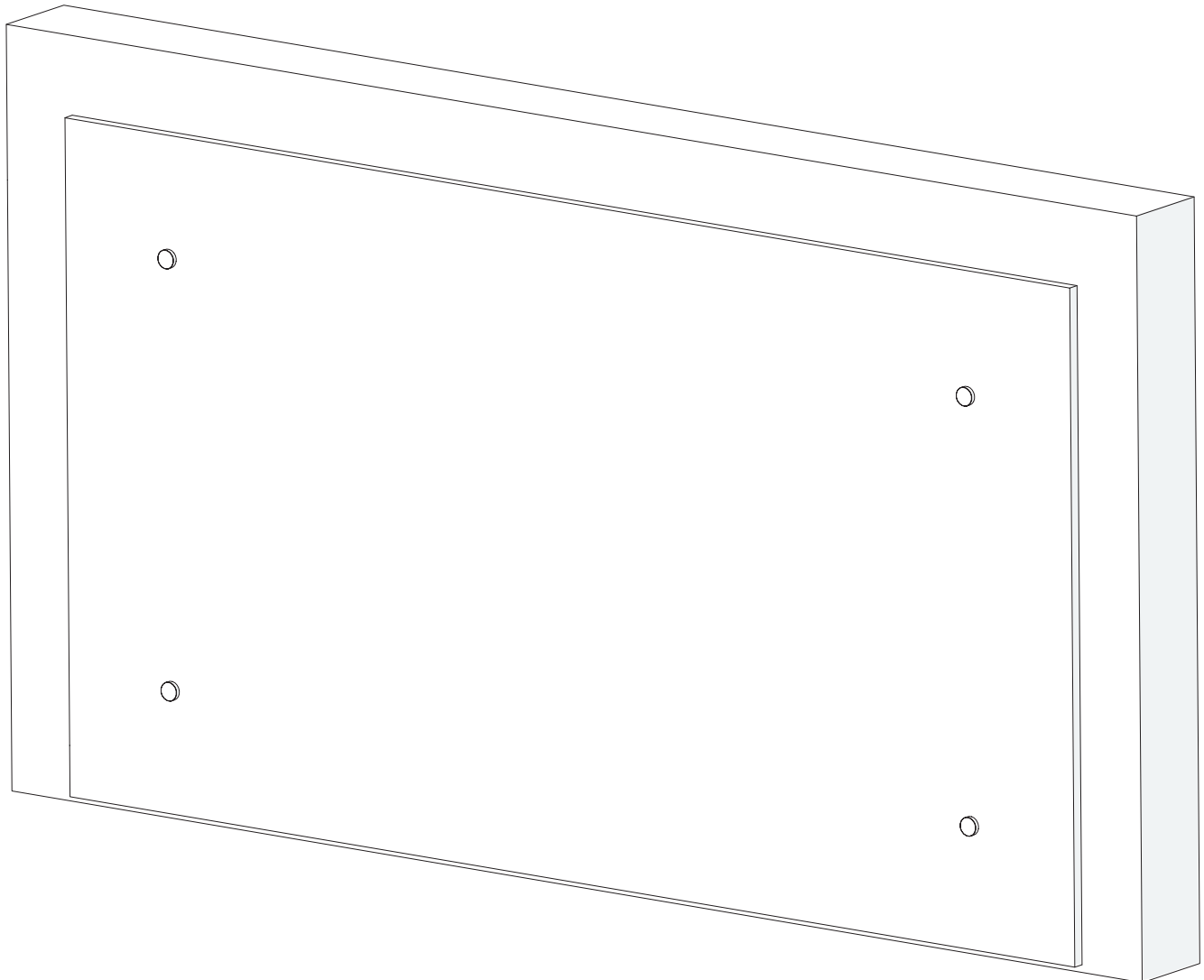


# WALL MOUNTING

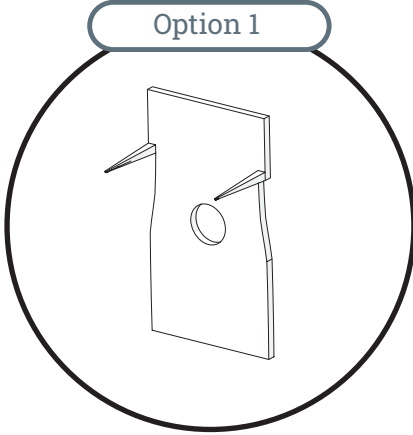
## INSTALLATION INSTRUCTIONS FOR FLAT MOUNTING OF PANEL STYLE PRODUCTS

BRIK 1.0, BRIK FLOW, and PANL.



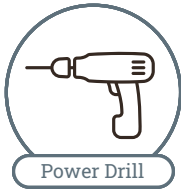
## MOUNTING METHODS

Option 1



### IMPALER CLIP

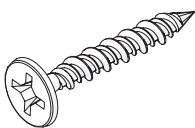
#### REQUIRED TOOLS



**NOTE:**

A small amount of adhesive is recommended in addition to fasteners. Liquid Nails or similar commercial grade adhesives are suitable.

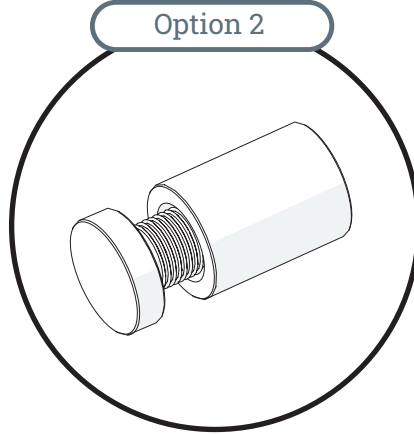
#### REQUIRED HARDWARE



### Screws

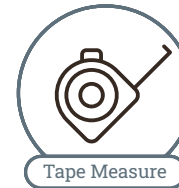
[Selected according to installation surface]

Option 2

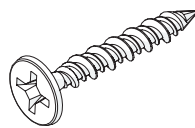


### Aluminum Stand-off

#### REQUIRED TOOLS



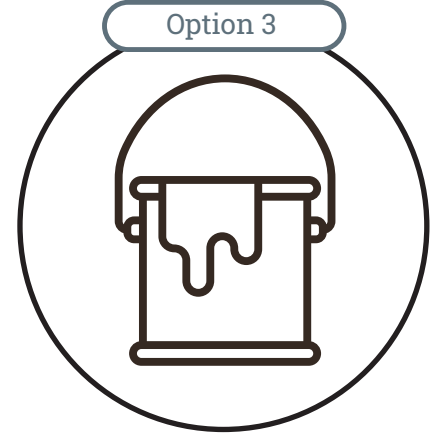
#### REQUIRED HARDWARE



### Screws

[Selected according to installation surface]

Option 3



### Adhesive

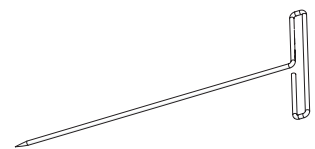
#### REQUIRED TOOLS



**NOTE:**

Panels can be adhered directly to the wall. Adhesive is **NOT** included, but 3095 carpet glue or Liquid Nails is recommended.

#### RECOMMENDED HARDWARE

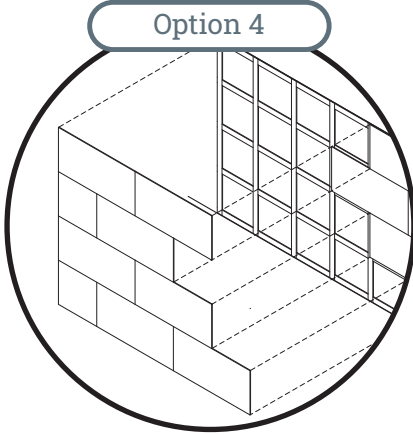


### Pushpins

[Same or Similar: NOT INCLUDED]

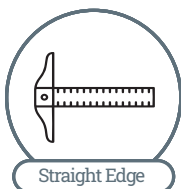
## MOUNTING METHODS

Option 4

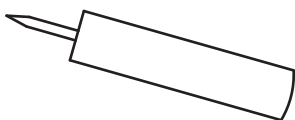


### FURRING STRIPS

#### REQUIRED TOOLS



#### REQUIRED HARDWARE

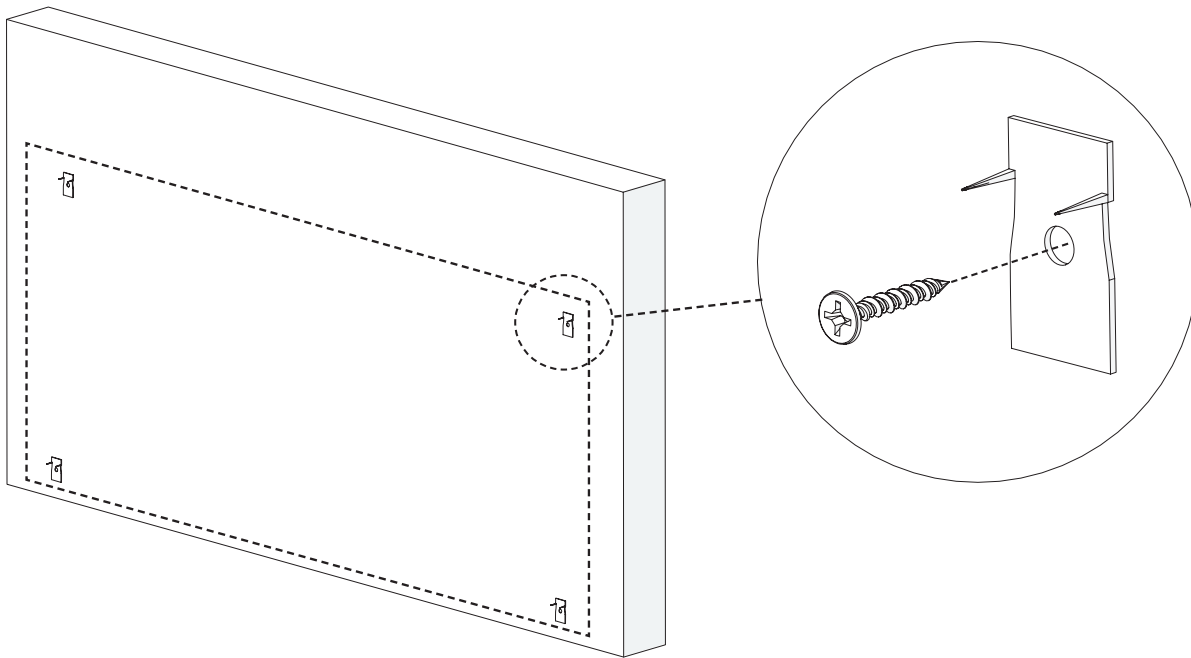


### Construction Adhesive

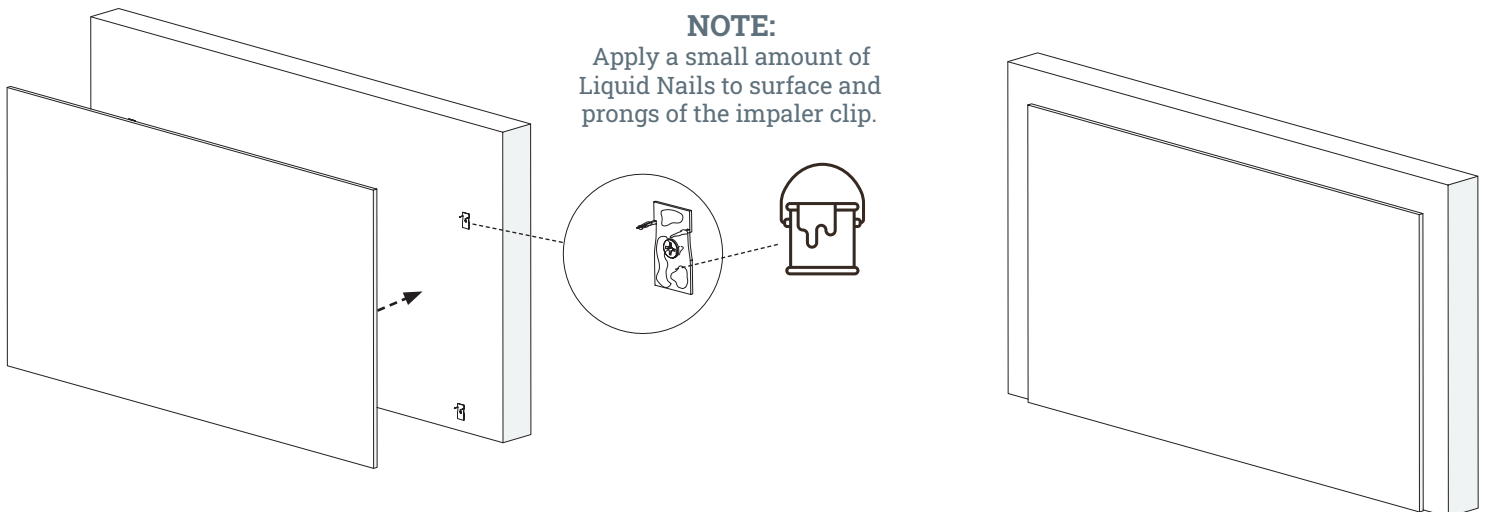
Adhesive is **NOT** included,  
but 3095 carpet glue or  
Liquid Nails is recommended.

## IMPALER CLIP MOUNTING INSTRUCTIONS

- 1 Mark the desired location of the the panel on the installation surface, and install the impaler clips at appropriate intervals, according to your product size.



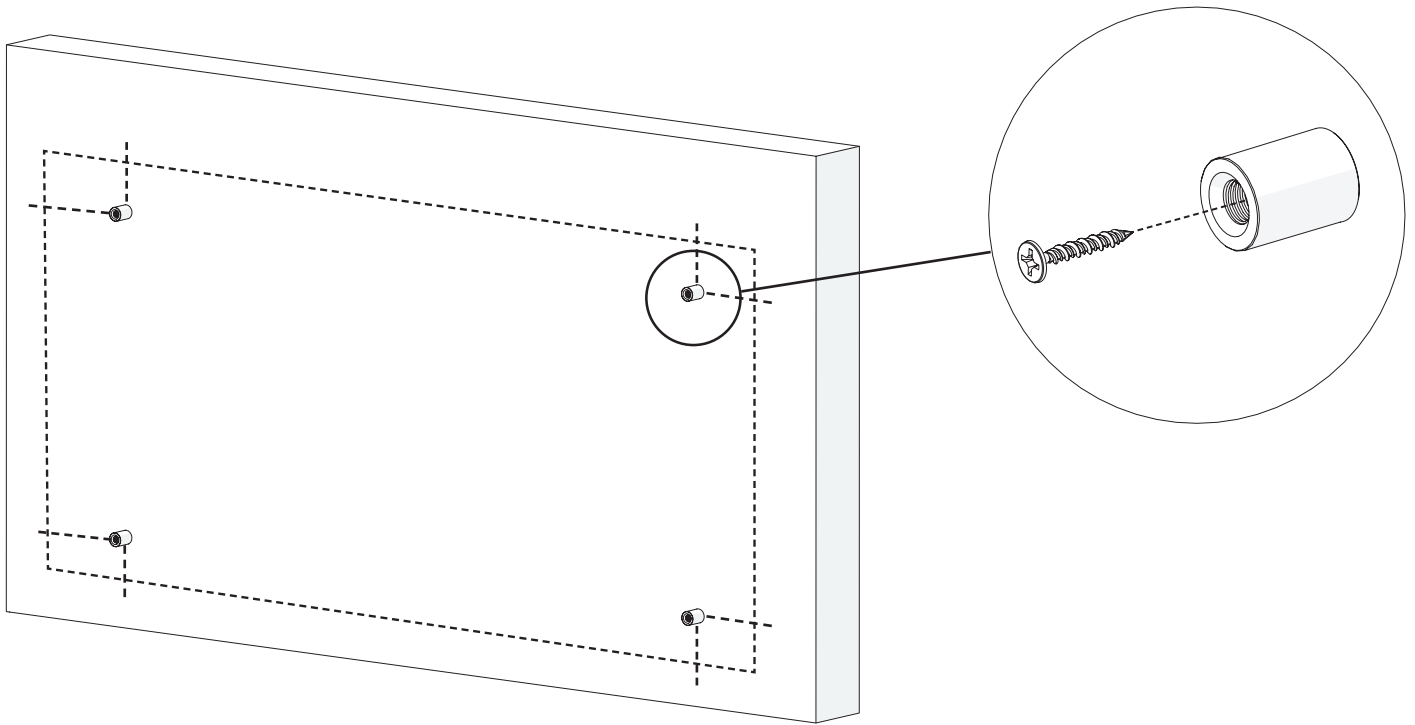
- 2 Press the felt firmly against the impaler clips and secure in place.



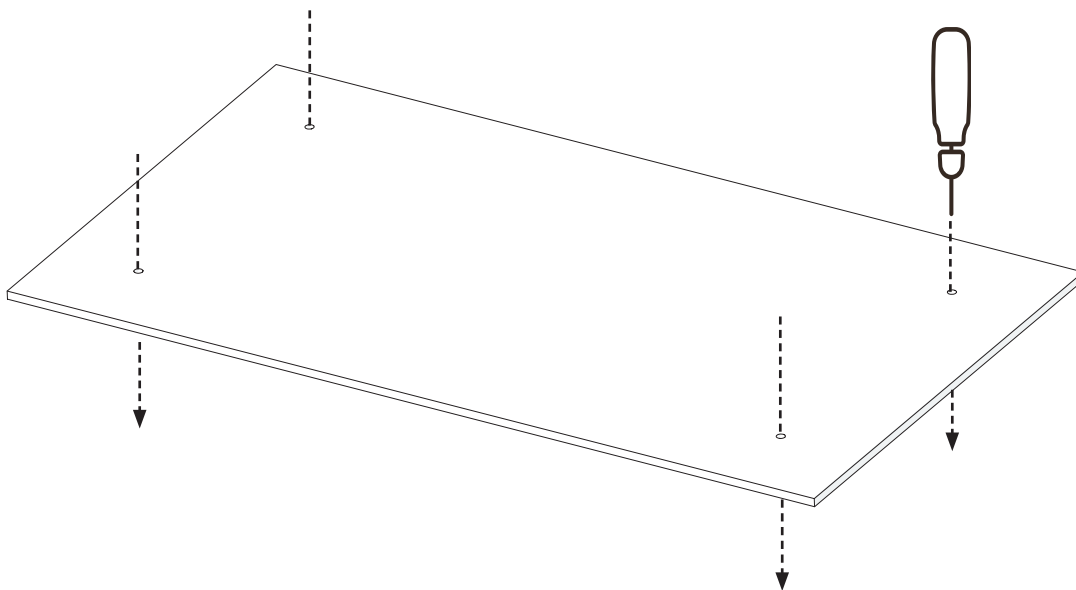
**Installation complete.**

## STAND-OFF MOUNTING INSTRUCTIONS

- 1 Mark the location of the product and the mounting points on the surface and install the female threaded portion of the stand-offs at appropriate locations as shown below.

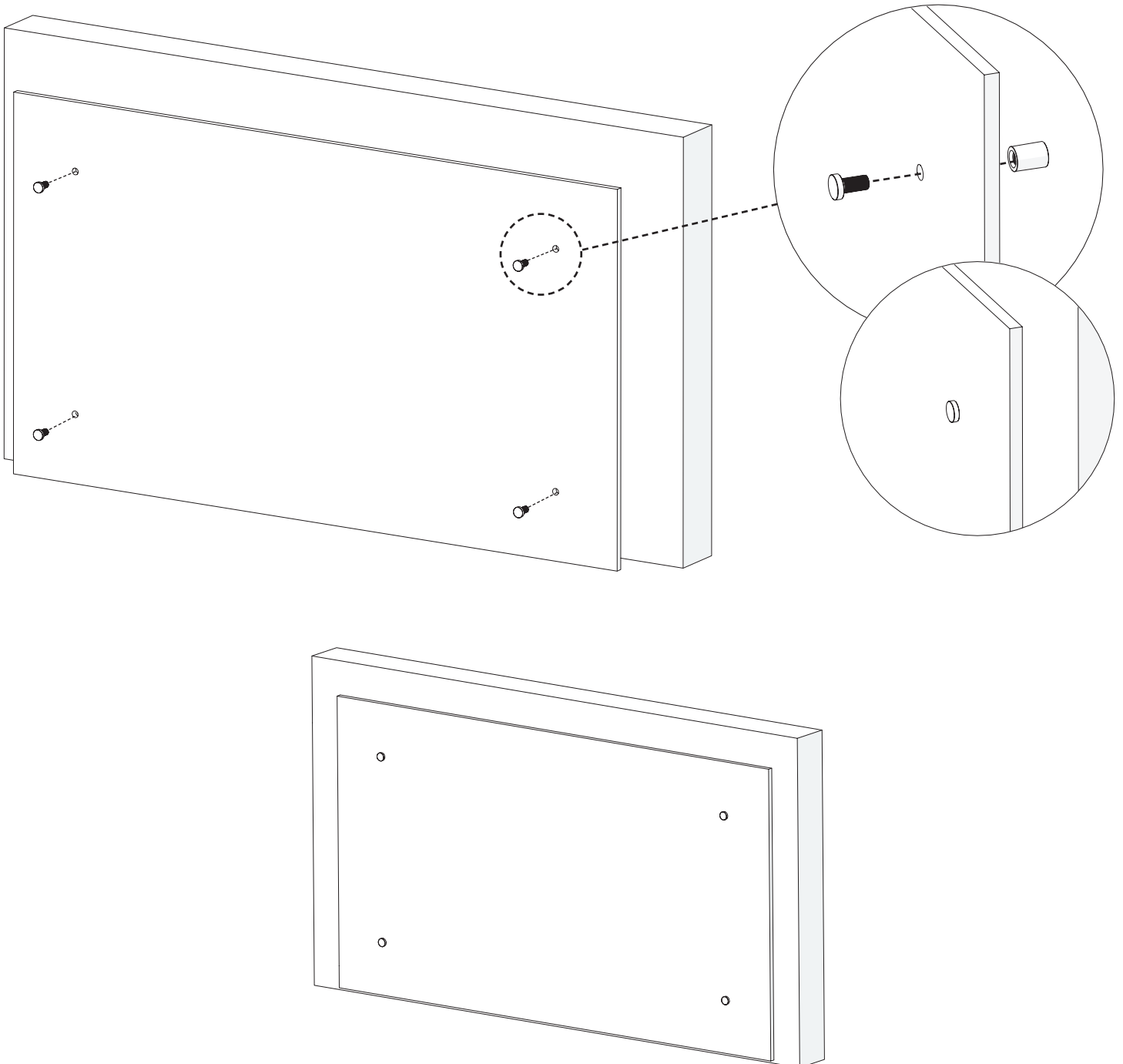


- 2 Mark the corresponding location of the stand-off positions on the back of the felt. Use a hot soldering iron to create through holes on in the felt for the male threaded portion of the stand-offs.



## STAND-OFF MOUNTING INSTRUCTIONS

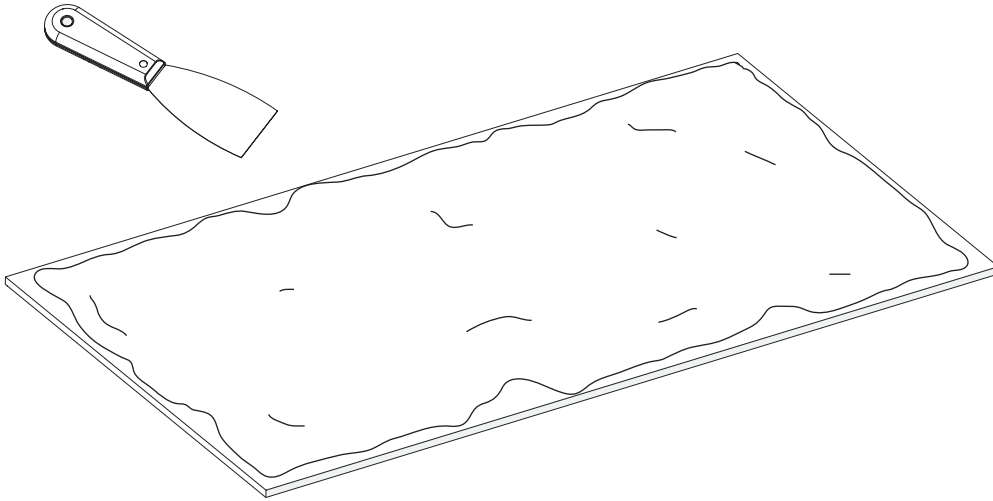
- Line the felt up to the female portion of the stand-offs and screw in the male threaded caps to secure the product to the wall.



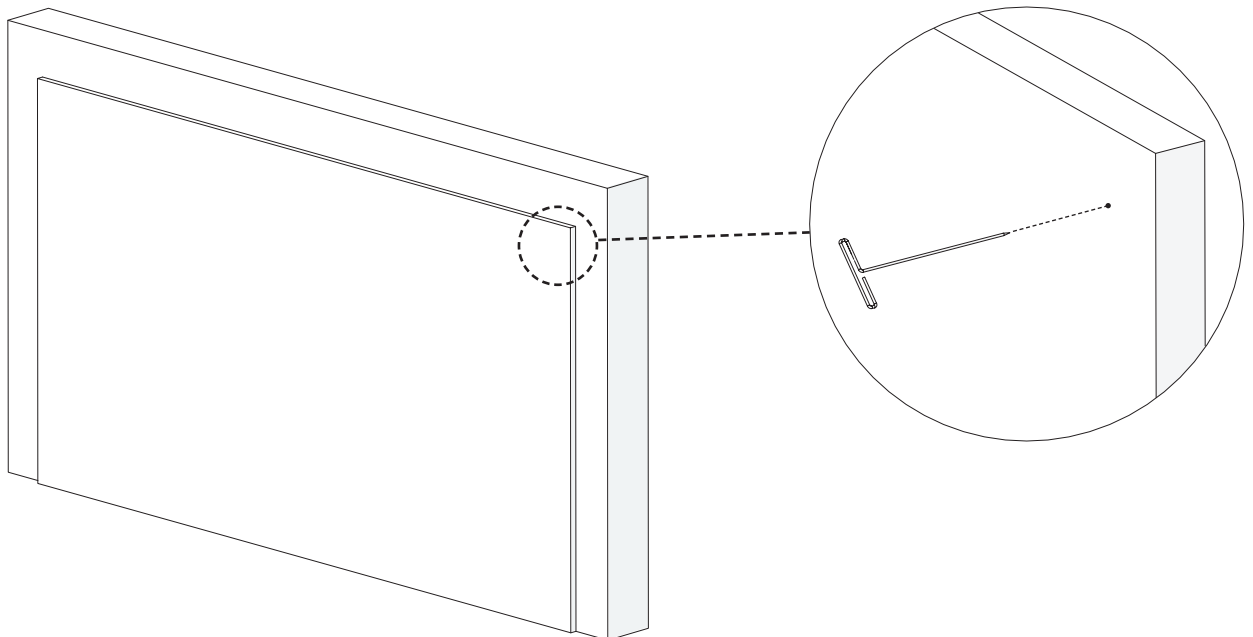
**Installation complete.**

## ADHESIVE MOUNTING INSTRUCTIONS

- 1 Apply a generous layer of adhesive to the felt back and spread evenly with a putty knife.



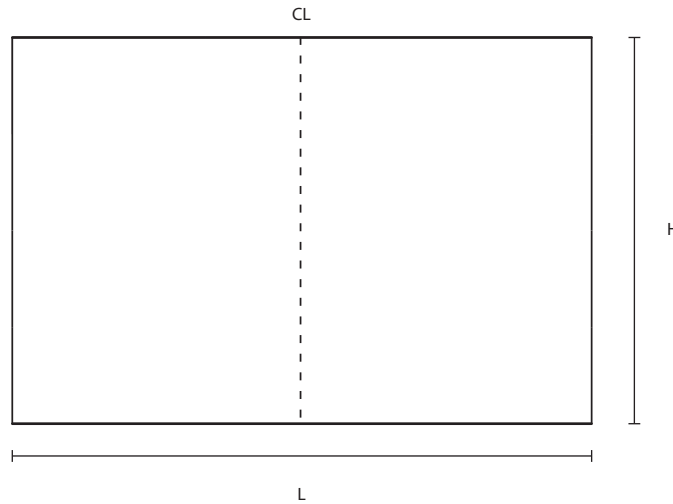
- 2 Press the felt firmly against the installation surface and fix in place with push pins. Remove the pins when the adhesive has been allowed to cure according to the manufacturer instructions.



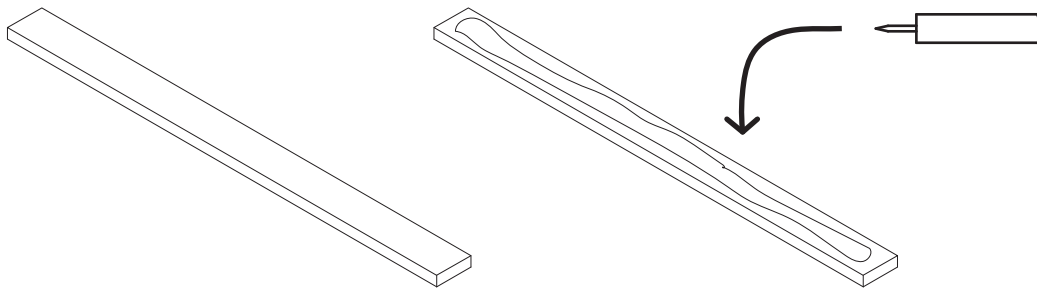
**Installation complete.**

## FURRING STRIPS MOUNTING INSTRUCTIONS

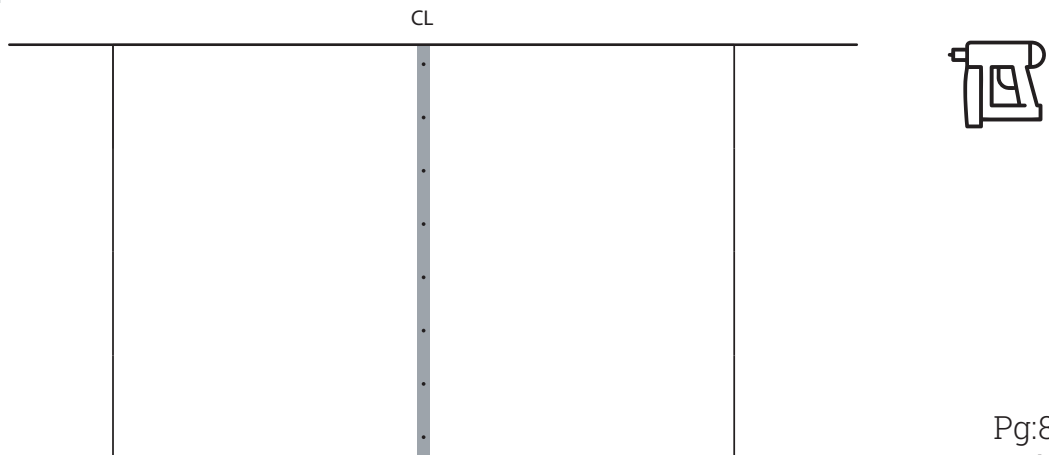
- 1 Measure the length and height of the wall.



- 2 Lay down the furring strips on the ground and apply adhesive to the back.



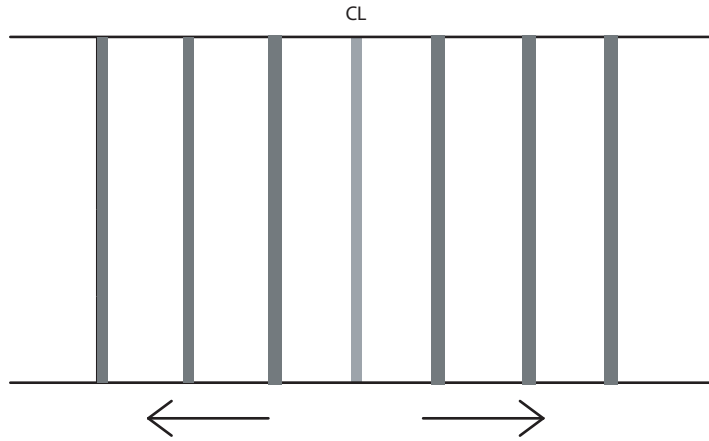
- 3 Place the first vertical furring strip on the center of the wall. Use a brad nailer to attach furring strip.



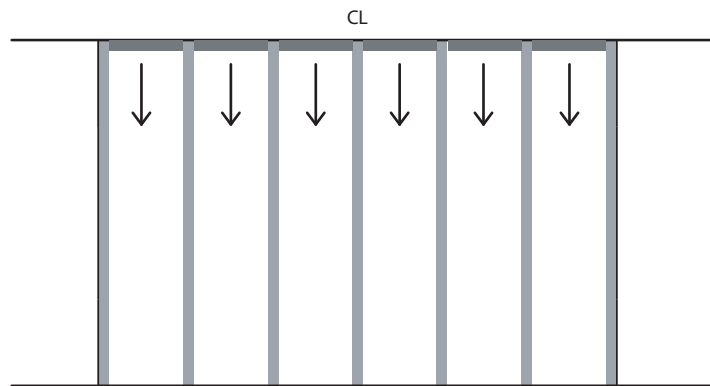


## FURRING STRIPS MOUNTING INSTRUCTIONS

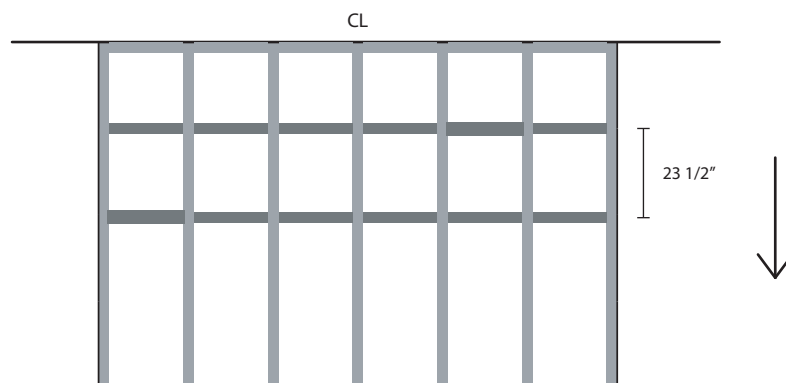
- 4** Place vertical furring strips 23 1/2" apart starting in the center and working outward. Cut the material to match the height of the wall.



- 5** Place the first row of horizontal furring strips flush with the top of the wall.

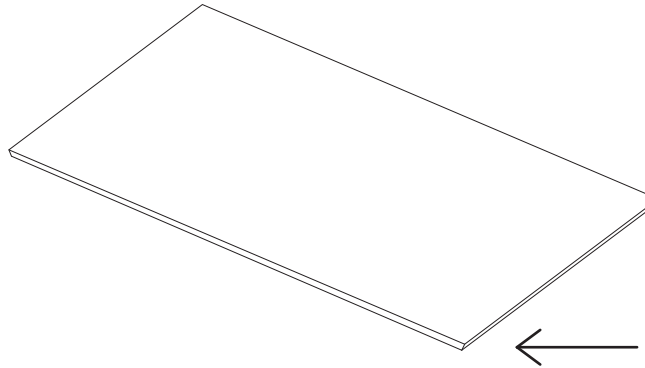


- 6** Place horizontal furring strips 23 1/2" apart starting at the top of the wall working downward.

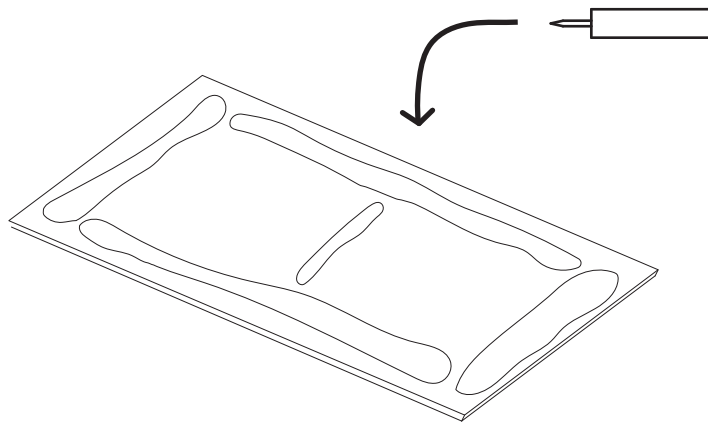


## FURRING STRIPS MOUNTING INSTRUCTIONS

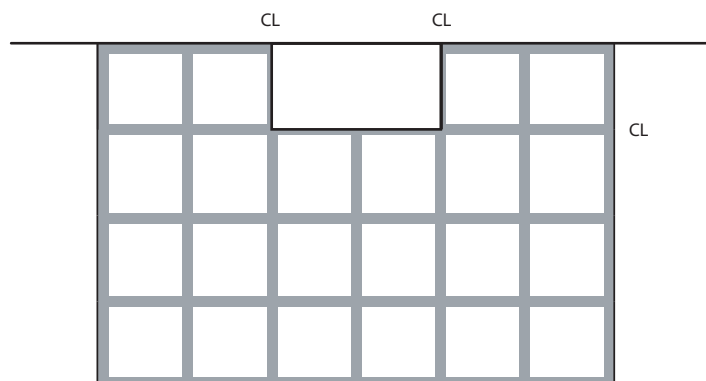
- 7** Lay the BRIKs on the floor with the chamfered edge facing down (if applicable).



- 8** Apply adhesive at the location of the furring strips.

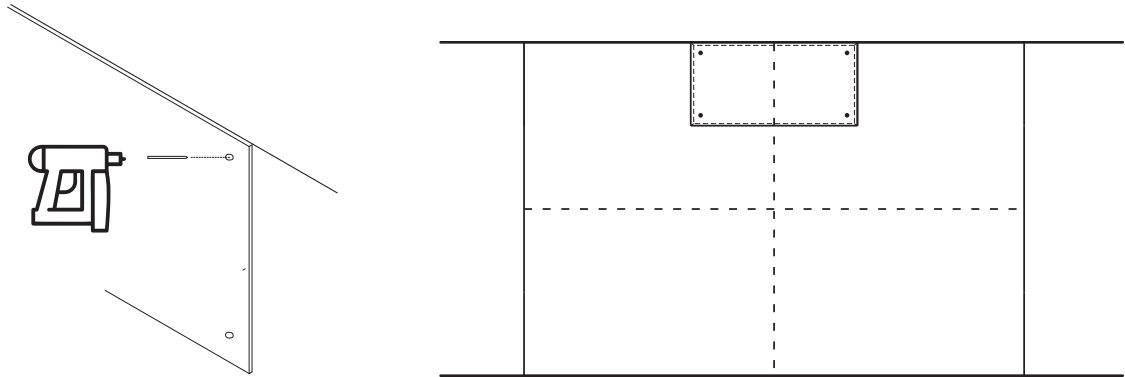


- 9** Take the first BRIK and align it properly on the furring strip.

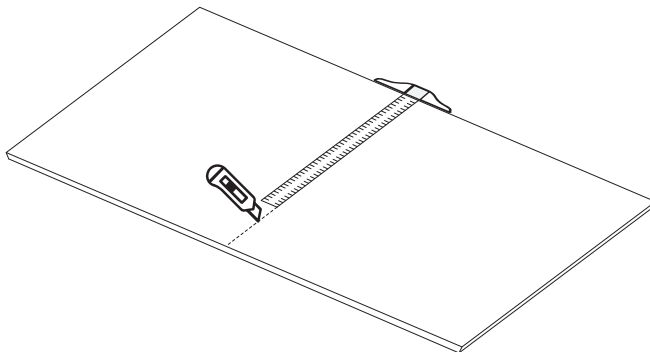
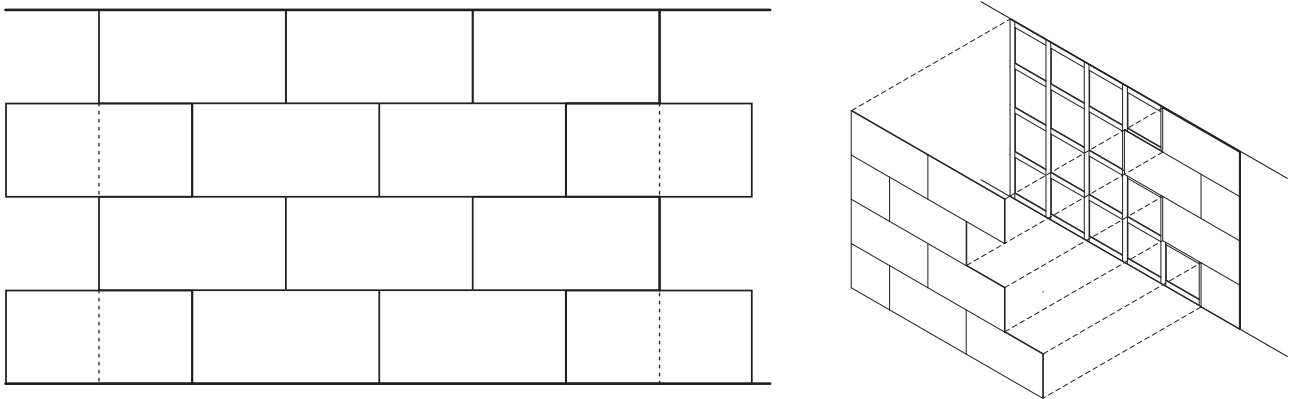


## FURRING STRIPS MOUNTING INSTRUCTIONS

- 10** Secure BRIKS to the furring strips with brad nails while adhesive is drying.

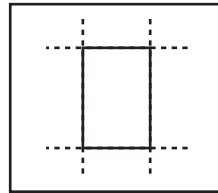
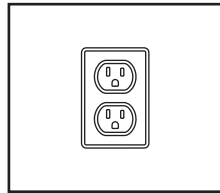


- 11** Use a box cutter and straight edge to make cuts to fit the wall.  
 Tip for clean edges: Use smooth continued motion to cut through half the thickness of the material. Go over the same line again to complete the cut.

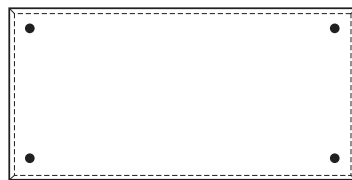


## FURRING STRIPS MOUNTING INSTRUCTIONS

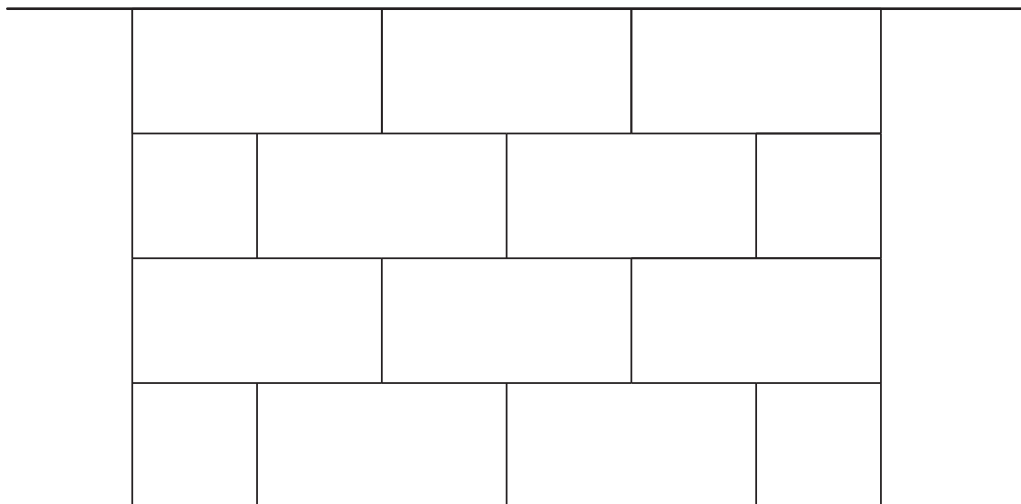
- 12** Follow instructions in step #11 for cuts around outlets or other obstructions.



- 13** Once the adhesive has dried, use pliers to remove the brad nails.



- 14**



**Installation complete.**