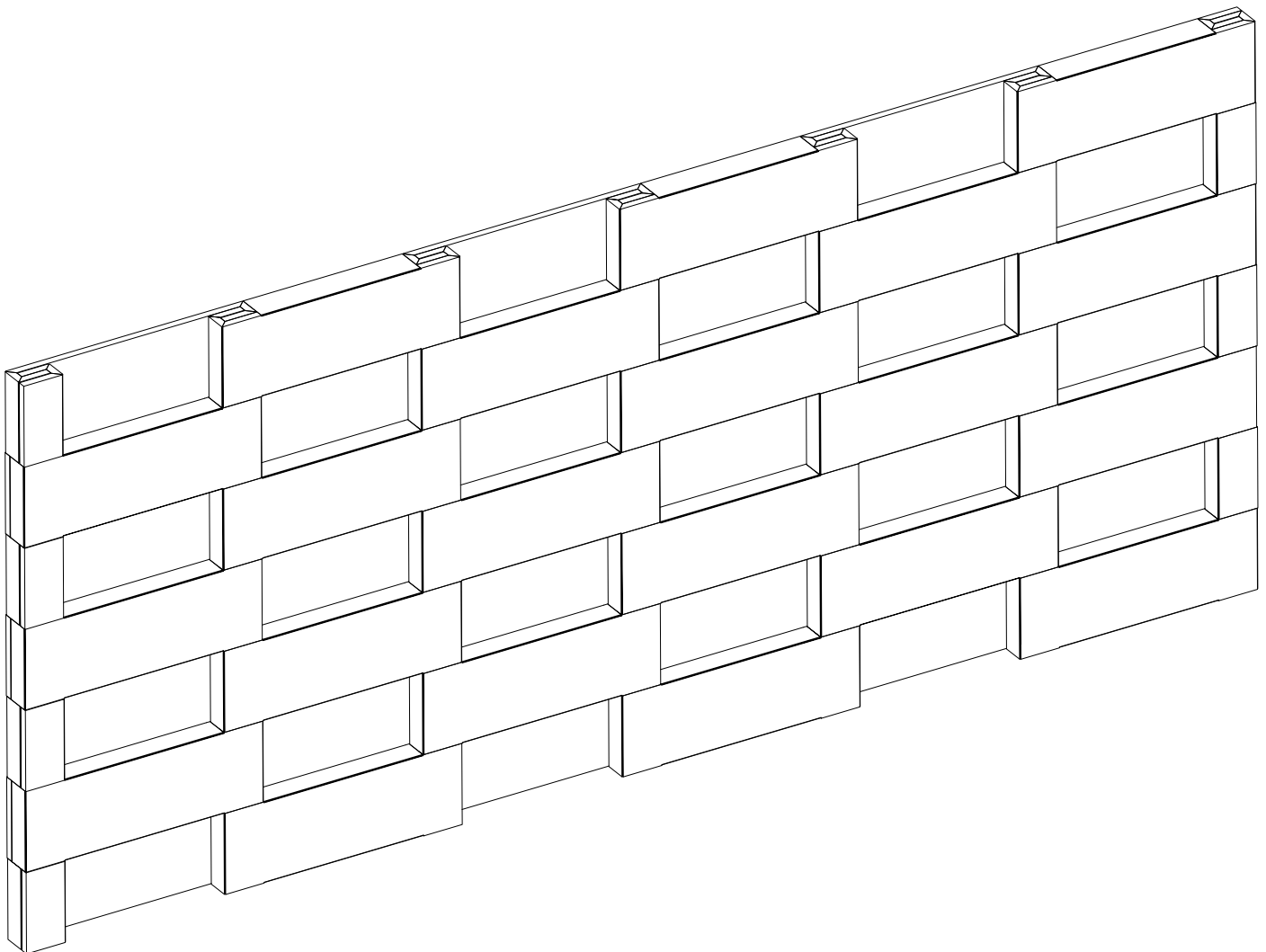


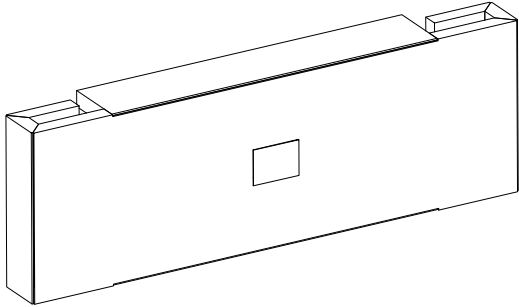
WEAVE

INSTALLATION INSTRUCTIONS

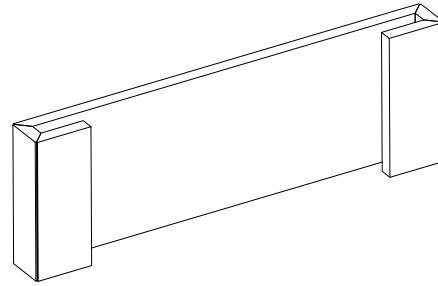


WEAVE - INCLUDED COMPONENTS

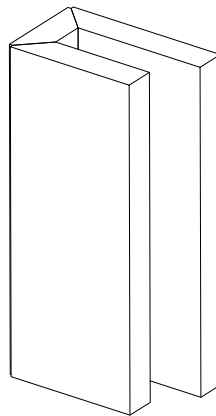
Quantities may vary based on order specifications.



Front Tile



Back Connector

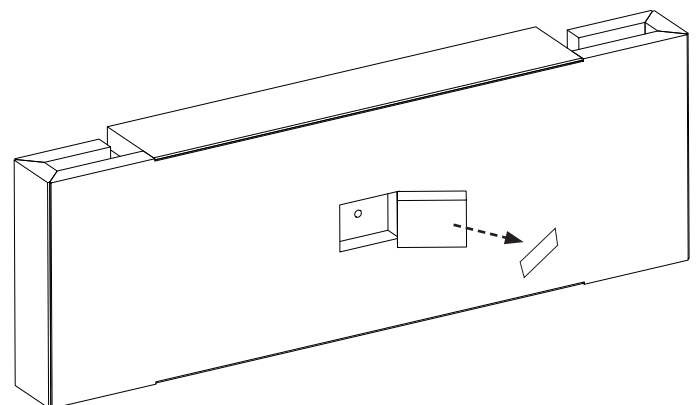
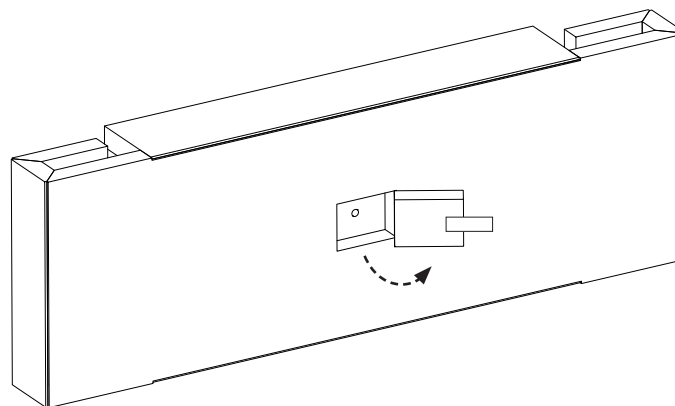
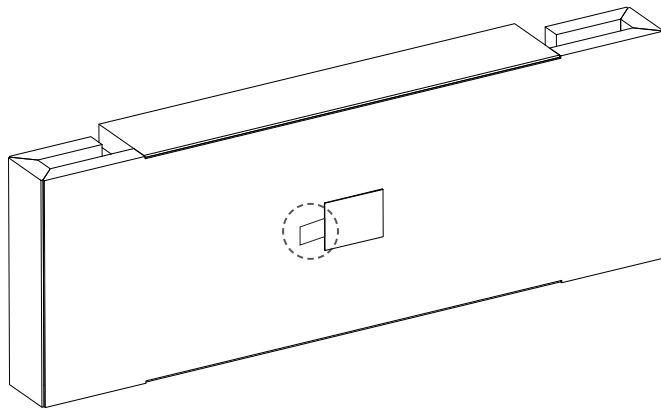


End Cap

Screws are required for installation but are not included in shipment, as they must be selected and purchased by installation teams according to the mounting surface conditions. Standard sheetrock screws are recommended

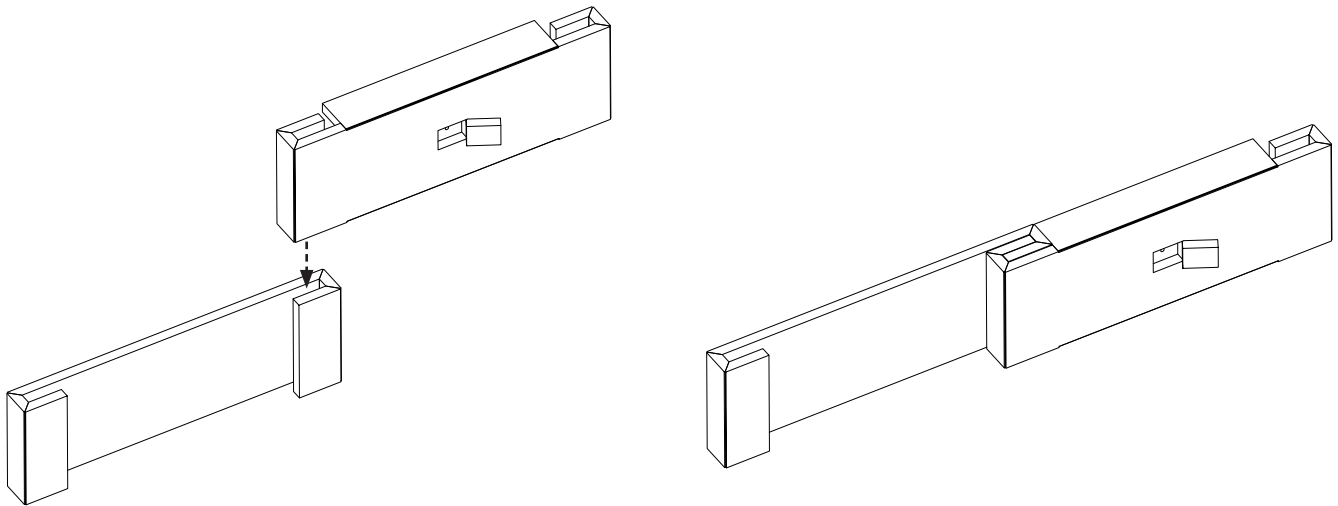
WEAVE: INSTALLATION INSTRUCTIONS

- 1 Locate the clear plastic tab at the center of each panel and gently lift to open the access door. Once open, carefully remove the plastic tab and discard it. Take care not to damage the felt access door hinge.

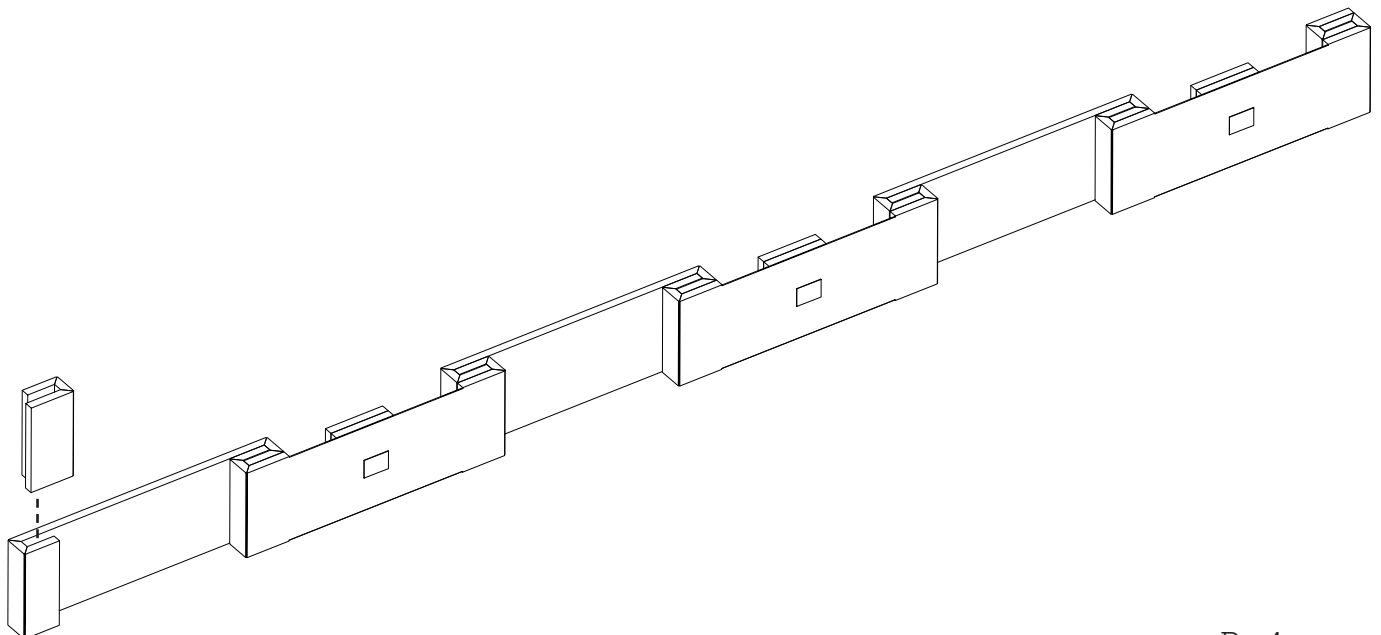


WEAVE: INSTALLATION INSTRUCTIONS

2 Join a front tile to a back connector by interlocking the felt grooves as shown.

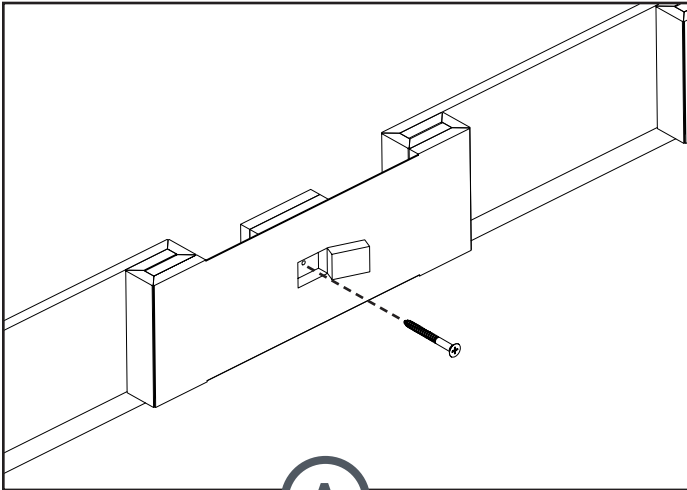


3 Continue linking panels to your desired length, and use the end cap to terminate the chain.

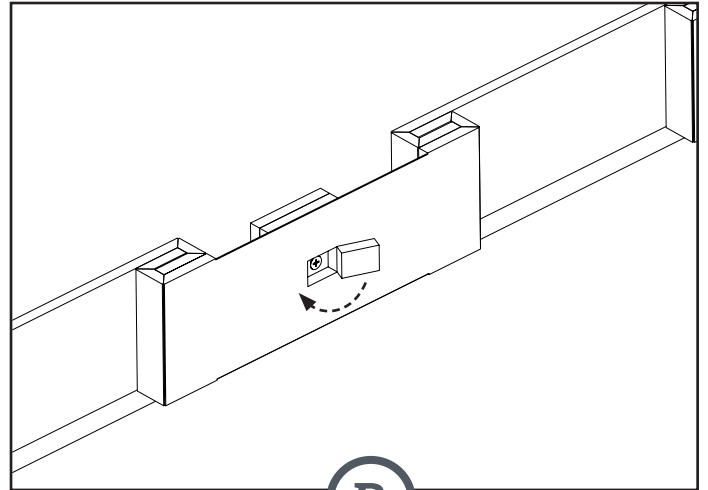


WEAVE: INSTALLATION INSTRUCTIONS

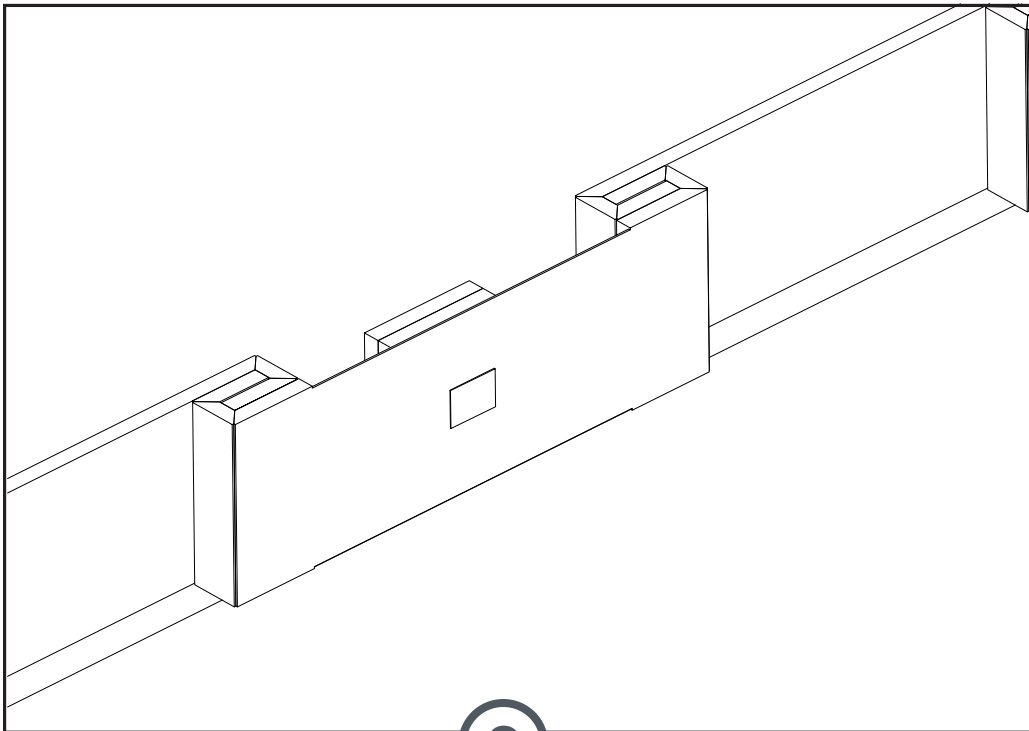
- 4 Place the chain of tiles against the mounting surface and drive your chosen fastener through the access door. When installation is complete, gently close the door to conceal it.



A



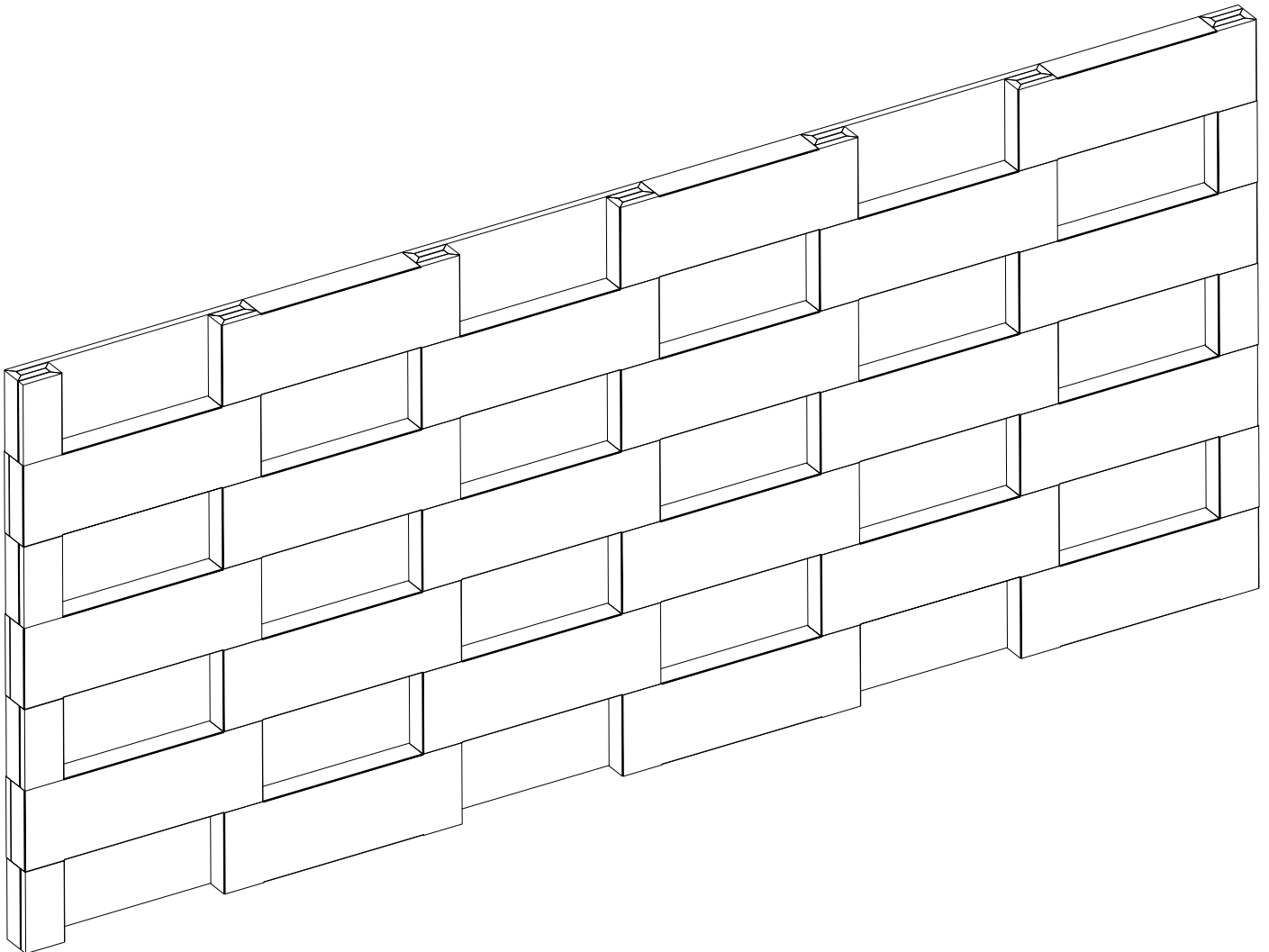
B



C

WEAVE: INSTALLATION INSTRUCTIONS

5 Arrange the tiles to your desired layout and complete the installation.



Installation Complete.