

BAFL CLASSIC

Fräsch was founded on the belief that creating healthy and beautiful office environments leads to a happier and highly motivated workforce.



Acoustical Ceiling Baffle

BAFL is a modern take on the traditional ceiling baffle with optimal sound-absorbing properties. BAFL creates a contemporary look while reducing reverberation in any room, particularly effective in spaces with high ceilings. Give your space the silent treatment! BAFL is the perfect solution for optimal sound ambiance in any space.

Application Ceiling Suspended

Hardware: [quantities based on configuration]

Default:

- Aircraft Cable/Threaded Rod
- Flat Bracket
- Griplock

Unistrut:

- Aircraft Cable/Threaded Rod
- Flat Bracket
- Griplock
- Coupler Nut
- Nylon Cone Nut

Drop Ceiling

- Aircraft Cable/Threaded Rod
- Flat Bracket
- Griplock
- Coupler Nut
- T-grid Caddy Clip

Material Content 9 mm 100% PET (55% recycled content)

Flammability ASTM E84 Class A or B

Acoustics

Frequency (Hz)	500	1K	2K	NRC	
NRC	0.57	0.90	1.36	1.61	1.10
Sabins per m ²	4.45	7.05	10.62	12.61	

Test was conducted while product was in its actual installation setting

All NRC testings assumes one face/one object and does not account for the product thickness

Environment Low VOC;
Post-Consumer Recycled Content
100% Recyclable

Installation

Installation requires minimal assembly of PET assemblies and suspension hardware. Mounting point positions are adjustable. See the BAFL complete installation manual for details.

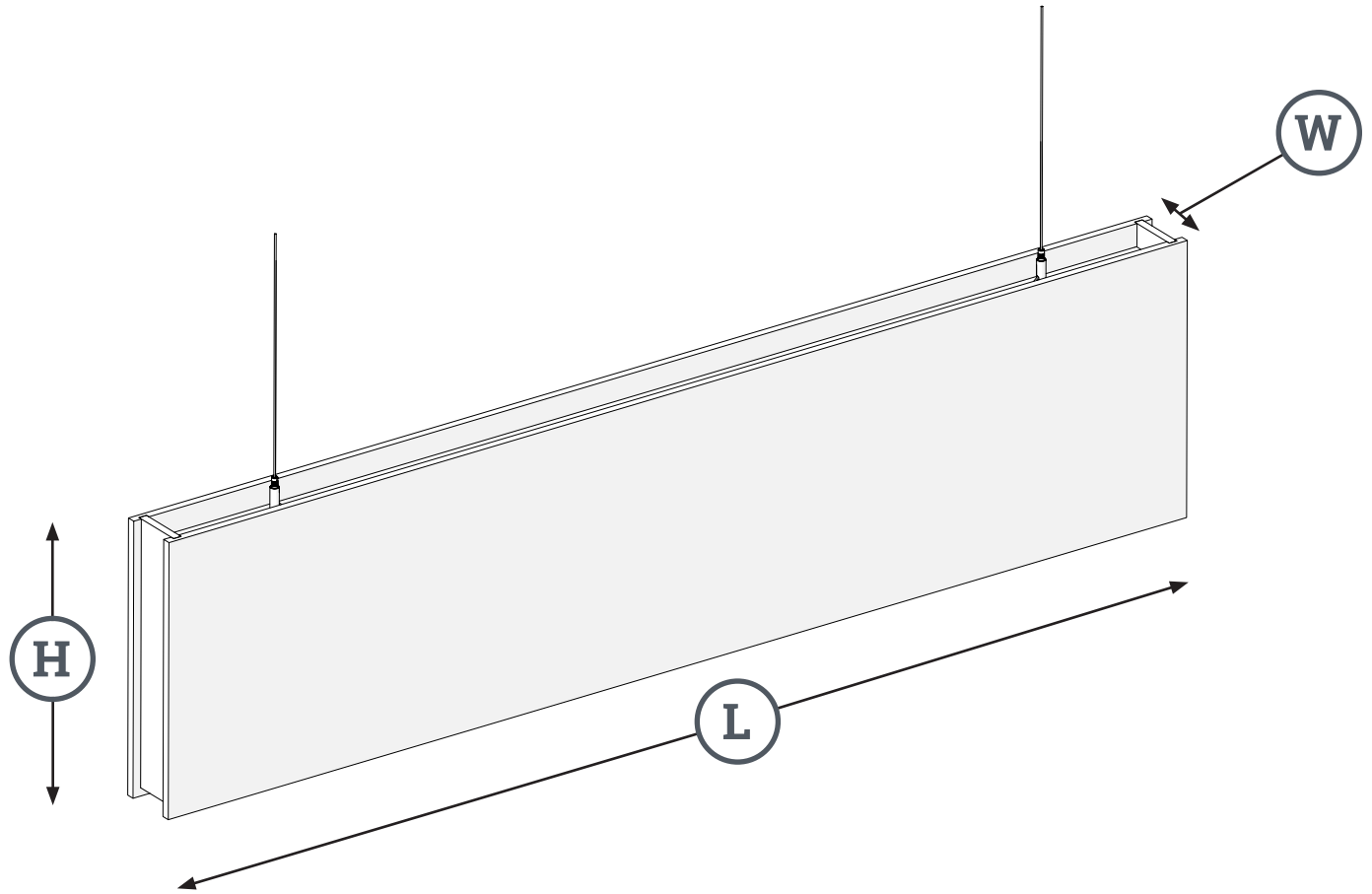
Country of Origin USA

2 Years

fräsch!

BAFL CLASSIC

AVAILABLE DIMENSIONS



HEIGHT	LENGTH	WIDTH
12" [304.8mm]	24" [609mm]	2.75" [69.85mm]
12" [304.8mm]	48" [1219mm]	2.75" [69.85mm]
12" [304.8mm]	72" [1829mm]	2.75" [69.85mm]
12" [304.8mm]	95" [2413mm]	2.75" [69.85mm]
10" [254mm]	24" [609mm]	2.75" [69.85mm]
10" [254mm]	48" [1219mm]	2.75" [69.85mm]
10" [254mm]	72" [1829mm]	2.75" [69.85mm]
10" [254mm]	95" [2413mm]	2.75" [69.85mm]