



VIBE-CLIF (FINS)

Fräsch was founded on the belief that creating healthy and beautiful office environments leads to a happier and highly motivated workforce.



VIBE-CLIF (FINS)

Dimensional Acoustical T-grid Tile

Architectural geometry creates a three dimensional ceiling application that can snap right into a T-Grid or even be transformed into a suspended installation. VIBE-CLIF (FINS) can be used alone or mixed and matched with VIBE-CLIF (SOLID) for a contemporary update to any traditional dropped grid.

Application Ceiling Suspended

	L	W	H	WEIGHT
VIBE-CLIF (FINS)	24"	24"	9"	3.7 lbs.

Hardware

Default: Drop Ceiling: Spike Bracket, Bracket Joiner

Material Content 9 mm 100% PET (55% recycled content)

Flammability ASTM E84 Class A or B

Material Content 9 mm 100% PET (55% recycled content)

Acoustics

Frequency (Hz)	250	500	1K	2K	NRC
NRC	0.35	0.54	0.85	1.22	0.75
Sabins per m ²	1.40	2.17	3.39	4.89	

* Test was conducted while product was in its actual installation setting

* All NRC testings assumes one face/one object and does not account for the product thickness

Environment

Low VOC;
Post-Consumer Recycled Content
100% Recyclable

Installation

VIBE-CLIF (FINS) comes fully constructed with LF Spike Bracket assembly for simple and fast installation to existing T-Grid ceilings. Custom installation may be requested for other ceiling

Country of Origin

USA

Warranty

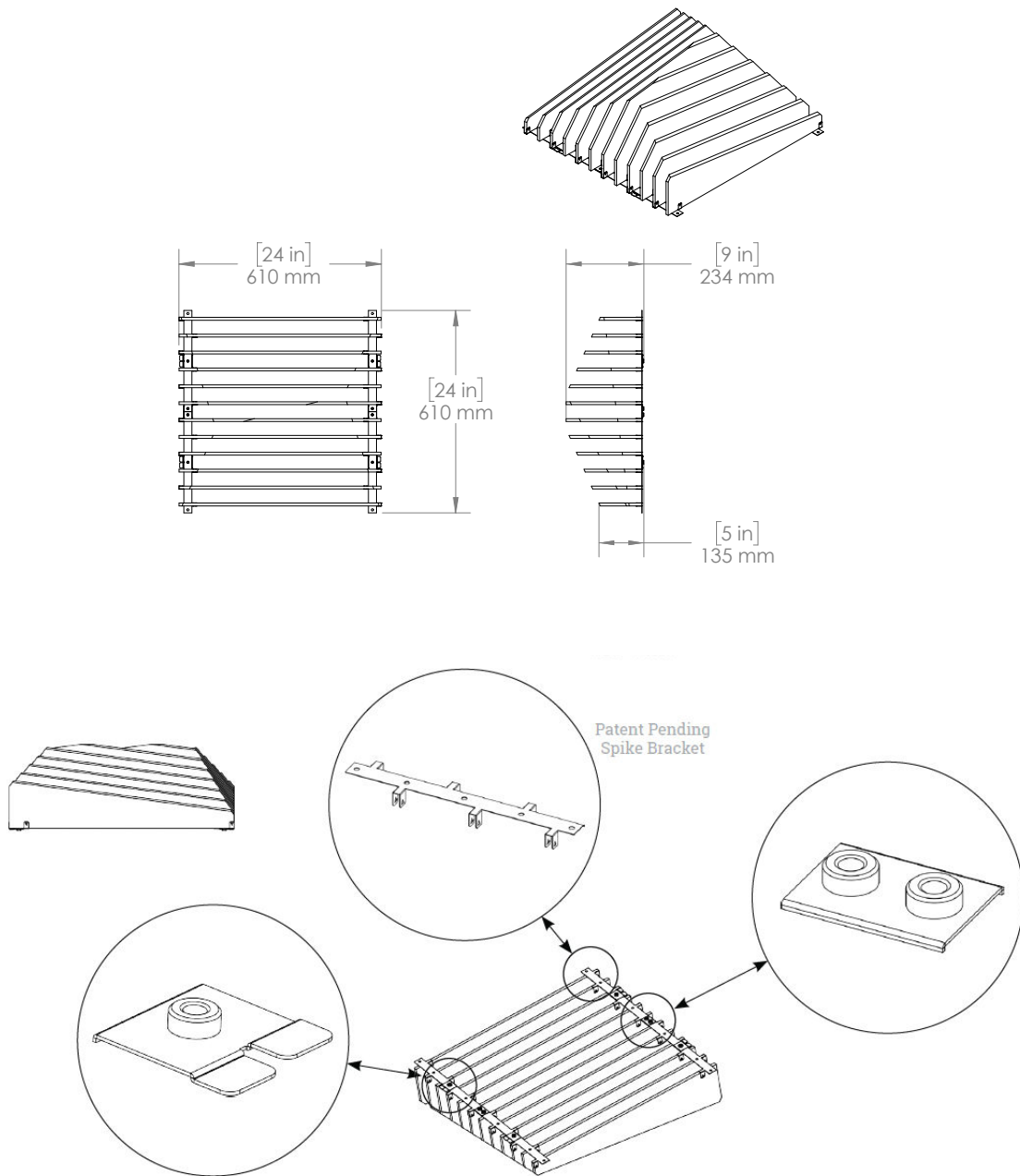
2 Years

fräsch!

609 112th Street, Suite A
Arlington, TX 76011

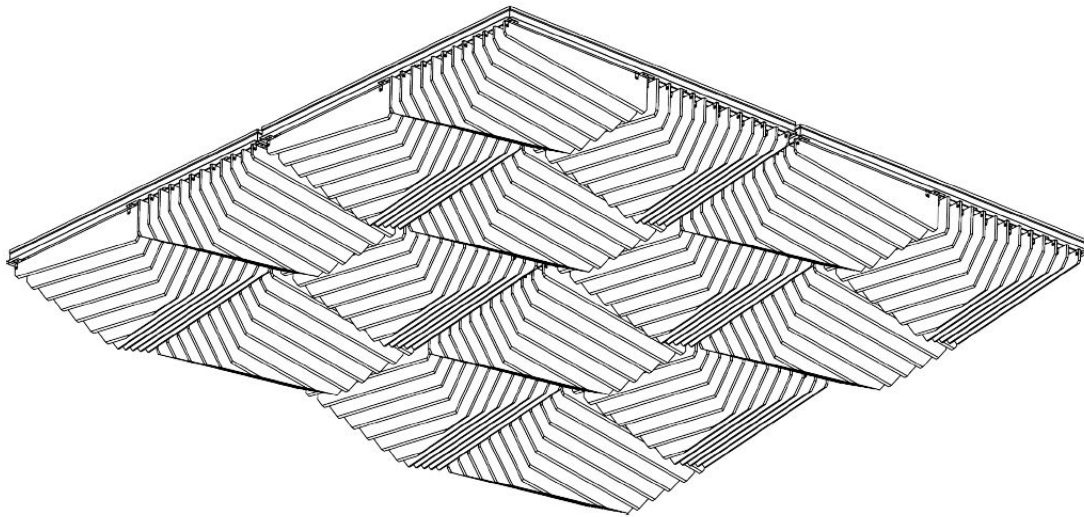
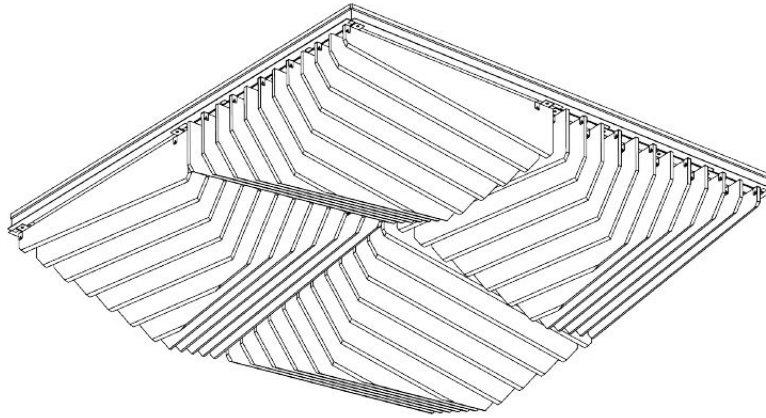
VIBE-CLIF (FINS)

Dimensions & Hardware Info



* Two-year limited warranty guarantees all of our products are free from defects in the materials and maintain their quality of craftsmanship. See our "Terms and Warranties" sheet for full details.

VIBE-CLIF (FINS) Ceiling Layouts





VIBE-CLIF (SOLID)

Dimensional Acoustical T-grid Tile

Architectural geometry creates a three dimensional ceiling application that can snap right into a T-Grid or even be transformed into a suspended installation. VIBE-CLIF (SOLID) can be used alone or mixed and matched with VIBE-CLIF (FINS) for a contemporary update to any traditional dropped grid.

Application Ceiling Suspended

	L	W	H	WEIGHT
VIBE-CLIF (SOLID)	25"	25"	4"	3.7 lbs.

Hardware

Impeller Clip with Sheetrock Screws or Velcro

Material Content 9 mm 100% PET (55% recycled content)

Flammability ASTM E84 Class A or B

Material Content 9 mm 100% PET (55% recycled content)

Acoustics

Frequency (Hz)	250	500	1K	2K	NRC
NRC	0.50	0.97	1.07	1.07	0.95
Sabins per m ²	3.96	6.48	7.16	7.15	

* Test was conducted while product was in its actual installation setting

* All NRC testings assumes one face/one object and does not account for the product thickness

Environment

Low VOC;
Post-Consumer Recycled Content
100% Recyclable

Installation

VIBE-CLIF (SOLID) comes fully constructed, simply plan your layout area and mount VIBE-CLIF (SOLID) with impeller clips, Velcro or adhesive directly onto your wall surface. Custom installing may be requested for other wall type.

Country of Origin

USA

Warranty

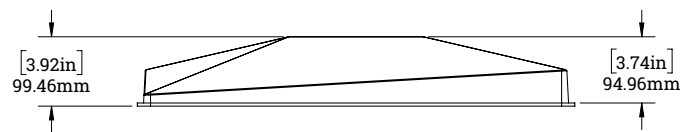
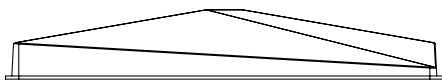
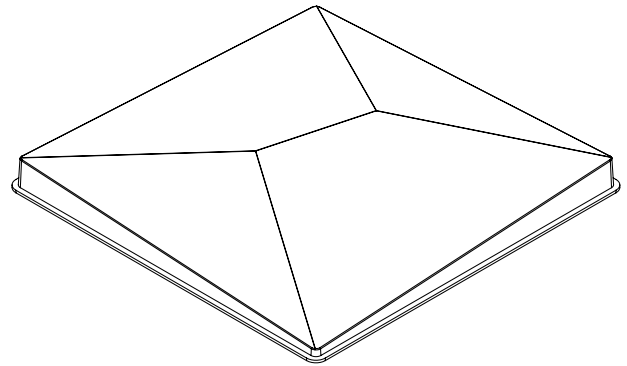
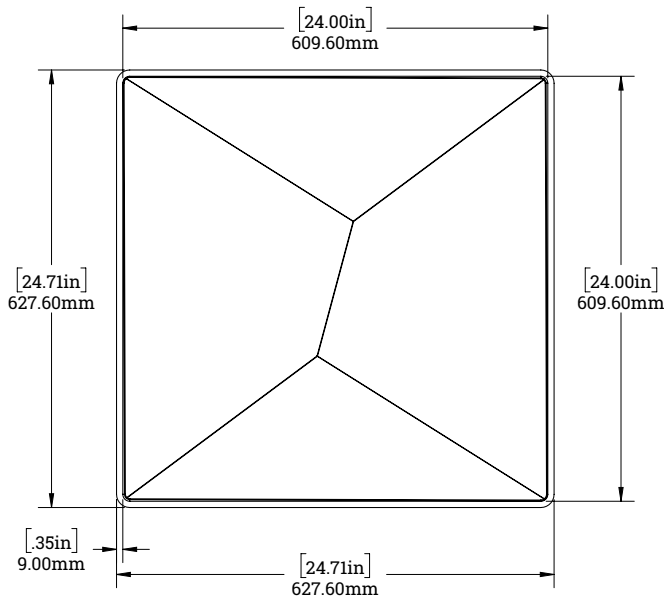
2 Years

fräsch!

609 112th Street, Suite A
Arlington, TX 76011

VIBE-CLIF (SOLID)

Dimensions & Hardware Info



* Two-year limited warranty guarantees all of our products are free from defects in the materials and maintain their quality of craftsmanship. See our "Terms and Warranties" sheet for full details.

VIBE-CLIF (SOLID) Ceiling Layouts

