



BRIK

Fräsch was founded on the belief that creating healthy and beautiful office environments leads to a happier and highly motivated workforce.



BRIK

Acoustical Wall Tile

When struggling with echos and sound transfer between offices and conference rooms, a custom-designed BRIK wall can mitigate these problems while adding a beautiful accent wall. BRIK comes with chamfered edges, multiple design options and effortless installation.

Application Ceiling Suspended

	L	W	H	WEIGHT
BRiK	47"	23.5"	.35"	2.11 lbs.

Custom sizing and printed option available

Hardware

Default: Drywall Screws, Impaler Clip
 * Liquid Nail or 3095 Carpet Glue Adhesive

* Available Upon Request

Material Content 9 mm 100% PET (55% recycled content)

Flammability ASTM E84 Class A or B

Material Content 9 mm 100% PET (55% recycled content)

Acoustics

Frequency (Hz)	250	500	1K	2K	NRC
NRC	0.04	0.16	0.40	0.63	(0.30-0.75)
Sabins per m²	0.27	1.07	2.71	4.18	

Test was conducted while product was in its actual installation setting

All NRC testings assumes one face/one object and does not account for the product thickness

Environment Low VOC;
 Post-Consumer Recycled Content
 100% Recyclable

Installation

BRiK is quite effortless when it comes to installation. Simply lay out your space and mount the Impaler Clip to the wall with sheetrock screws and press BRiK to secure it to the wall.

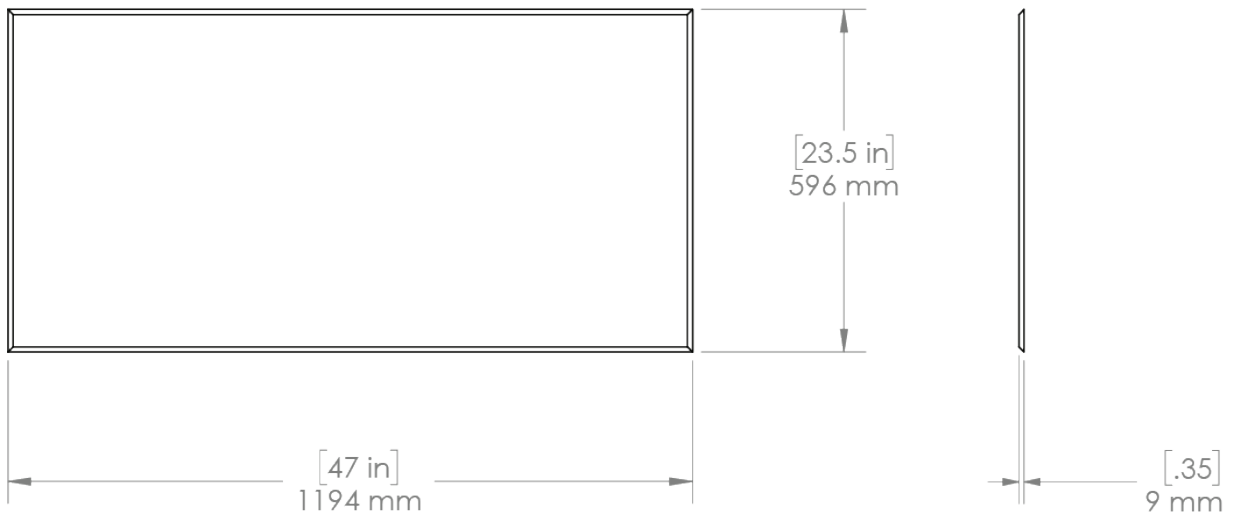
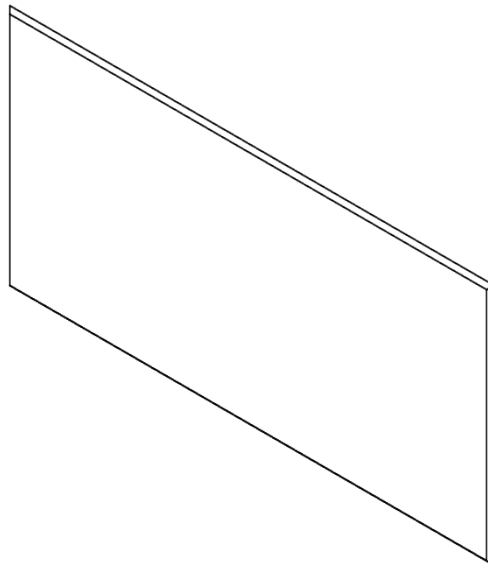
Country of Origin USA

Warranty 2 Years

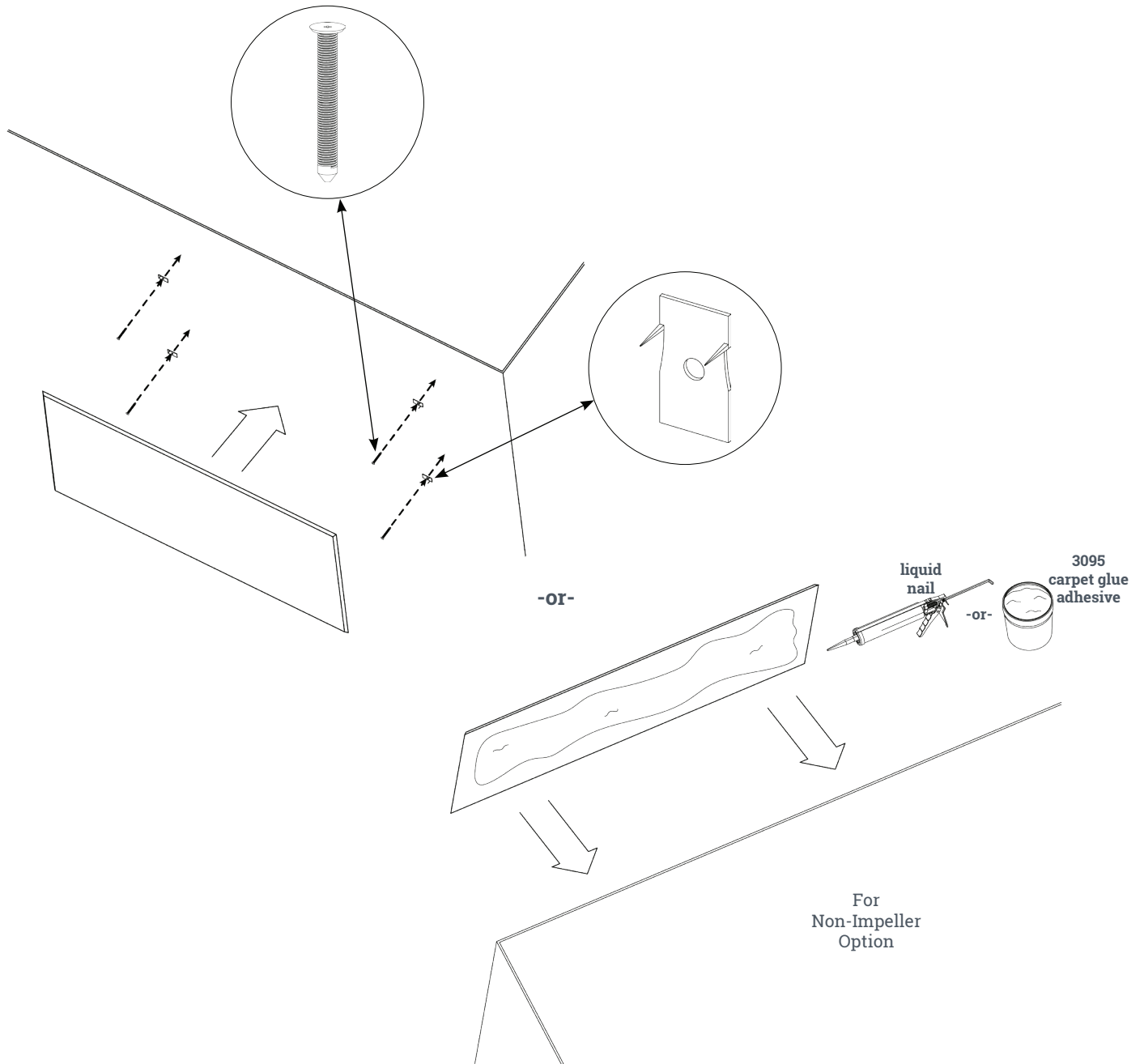


609 112th Street, Suite A
 Arlington, TX 76011

BRIK Dimensions



BRIK Hardware Details



BRIK WALL LAYOUT

