



## LINYFELT

Fräsch was founded on the belief that creating healthy and beautiful office environments leads to a happier and highly motivated workforce.



# LINYFELT

Discover the epitome of clean lines with LINYFELT. Mix alternating heights, lengths and colors for that perfect aesthetic. Lengths can be field modified to custom lengths. LINYFELT can also be utilized as a wall treatment with easy installation. Use LINYFELT by itself on any ceiling or wall, or create a streamlined look by connecting wall and ceiling installations in variable ways.

**Application** Wall panel or ceiling suspension

**Sizes:** See page below for size options

## Hardware:

LINYFELT can be mounted in a variety of configurations [see page 2]. Consult with your sales representative, or contact [Support@frasch.com](mailto:Support@frasch.com) to speak with a specialist and determine the right hardware package for your application.

**Material Content** 9 mm 100% PET (55% recycled content)

**Flammability** ASTM E84 Class A or B

## Acoustics

Frequency (Hz)	250	500	1K	2K	NRC
NRC	0.57	0.90	1.36	1.61	1.10
Sabins per m <sup>2</sup> )	4.45	7.05	10.62	12.61	

Test was conducted while product was in its actual installation setting

All NRC testings assumes one face/one object and does not account for the product thickness

**Environment** Low VOC;  
Post-Consumer Recycled Content  
100% Recyclable

## Installation

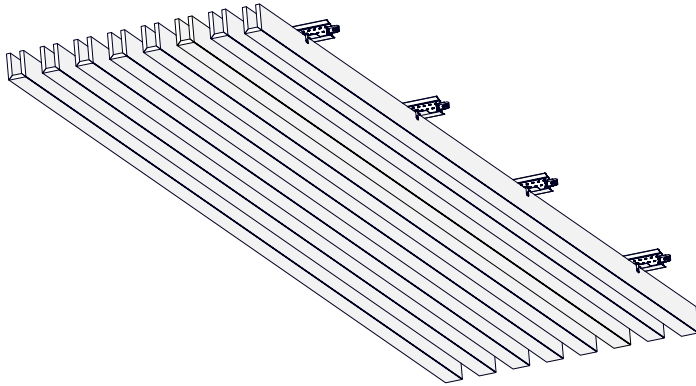
LINYFELT comes with 8ft long pre-assembled Uchannel structures. Mounting options detailed on the following pages.

**Country of Origin** USA

**Warranty** 2 Years



## LINYFELT: MOUNTING OPTIONS

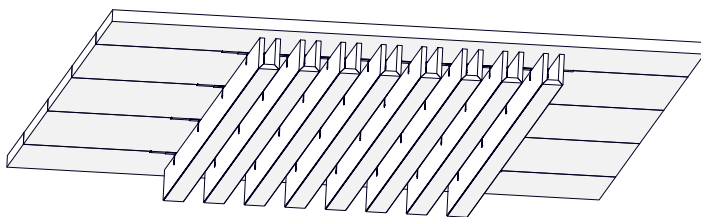
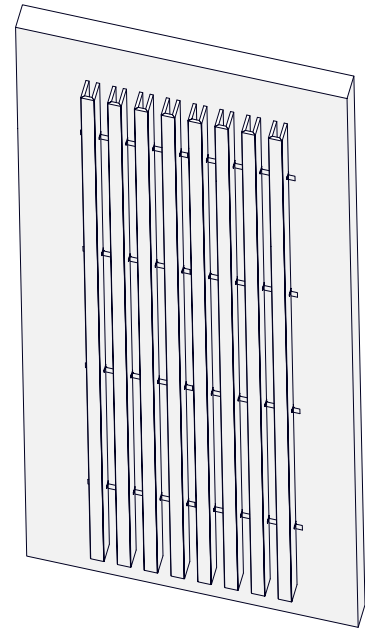


### T-GRID BRACKETS

In this ceiling mounted configuration, LINYFELT ships with specialty hardware clips for attaching to pre-existing T-Grid structures in your open ceiling. The brackets fit firmly into almost any T-Grid stock and are simple to assemble.

### WALL-MOUNTED

LINYFELT can easily be mounted vertically or horizontally against any wall, and ships with 2" sheetrock screws.

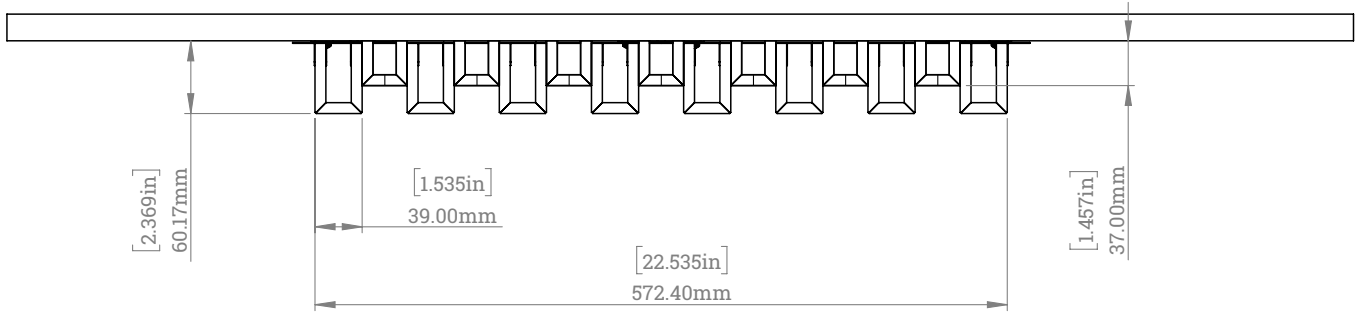


### T-GRID-MOUNTED

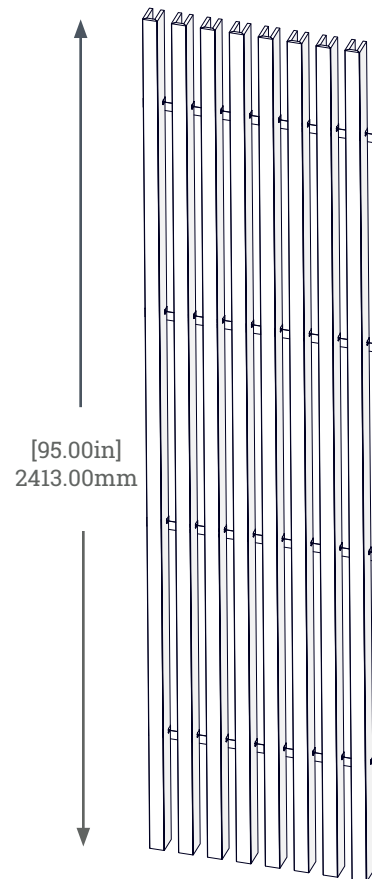
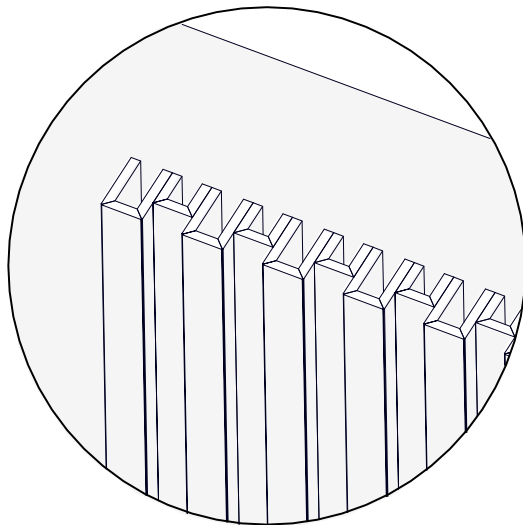
In this ceiling configuration, the multi-brackets used to mount the fins are screwed directly into exposed T-Grid in existing ceiling structures. There is no need to remove ceiling panels before installing LINYFELT; just line up the brackets and install the fins.

\* Two-year limited warranty guarantees all of our products are free from defects in the materials and maintain their quality of craftsmanship. See our two-year warranty sheet for full details.

## LINYFELT: DIMENSIONS



**NOTE:** You may install smaller fins [purchased separately] to wedge between the standard fins, which will cover the mounting brackets. Contact [Support@fräsch.com](mailto:Support@fräsch.com) for more information



\* Two-year limited warranty guarantees all of our products are free from defects in the materials and maintain their quality of craftsmanship. See our two-year warranty sheet for full details.