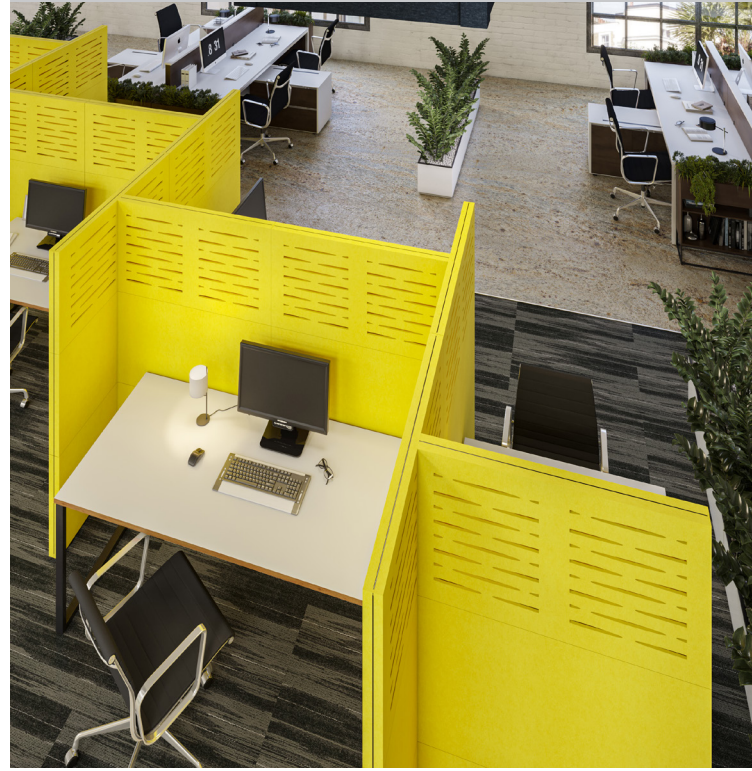




SOFWAL BLOK

Divider

Fräsch was founded on the belief that creating healthy and beautiful office environments leads to a happier and highly motivated workforce.



SOFWAL BLOK

Divider

Sofwal Blok provides privacy and separation in shared spaces and open floorplans. It features a hollow design for optimal sound absorption and our patent pending Conecta proprietary hardware technology for easy assembly. Its invisible frame and sturdy base are substantial enough to center this in a space as a permanent divider, yet lightweight enough to make this a modular solution, if preferred. What's more—it ships knock-down and flat, requiring minimal assembly.

Application: Divider

Size: [Height may change per castor configuration]

Length	[42.5in] 1082mm
Width	[2.75in] 69.00mm
Height	[68.5in] 1744.50mm

Modular Components:

- T-Block softwal
- Two-way Connector

Standard Hardware:

- [x8] 1/4-20 x 1"bolts
- Base Support Beam [2" x 1" Wood Beam]
- Spine - [2" x 1" Wood Beam]

Castor hardware: [Optional Configurations]

- Glider
- "H-foot" [castor extension bar]
- Standard 50mm Caster w/ Brake

Material Content 9 mm 100% PET (55% recycled content)

Flammability ASTM E84 Class A or B

Acoustics

Frequency (Hz)	250	500	1K	2K	NRC
NRC	0.57	0.90	1.36	1.61	1.10
Sabins per m²	4.45	7.05	10.62	12.61	

Test was conducted while product was in its actual installation setting

All NRC testings assumes one face/one object and does not account for the product thickness

Environment Low VOC;
Post-Consumer Recycled Content
100% Recyclable

Installation

Country of Origin USA

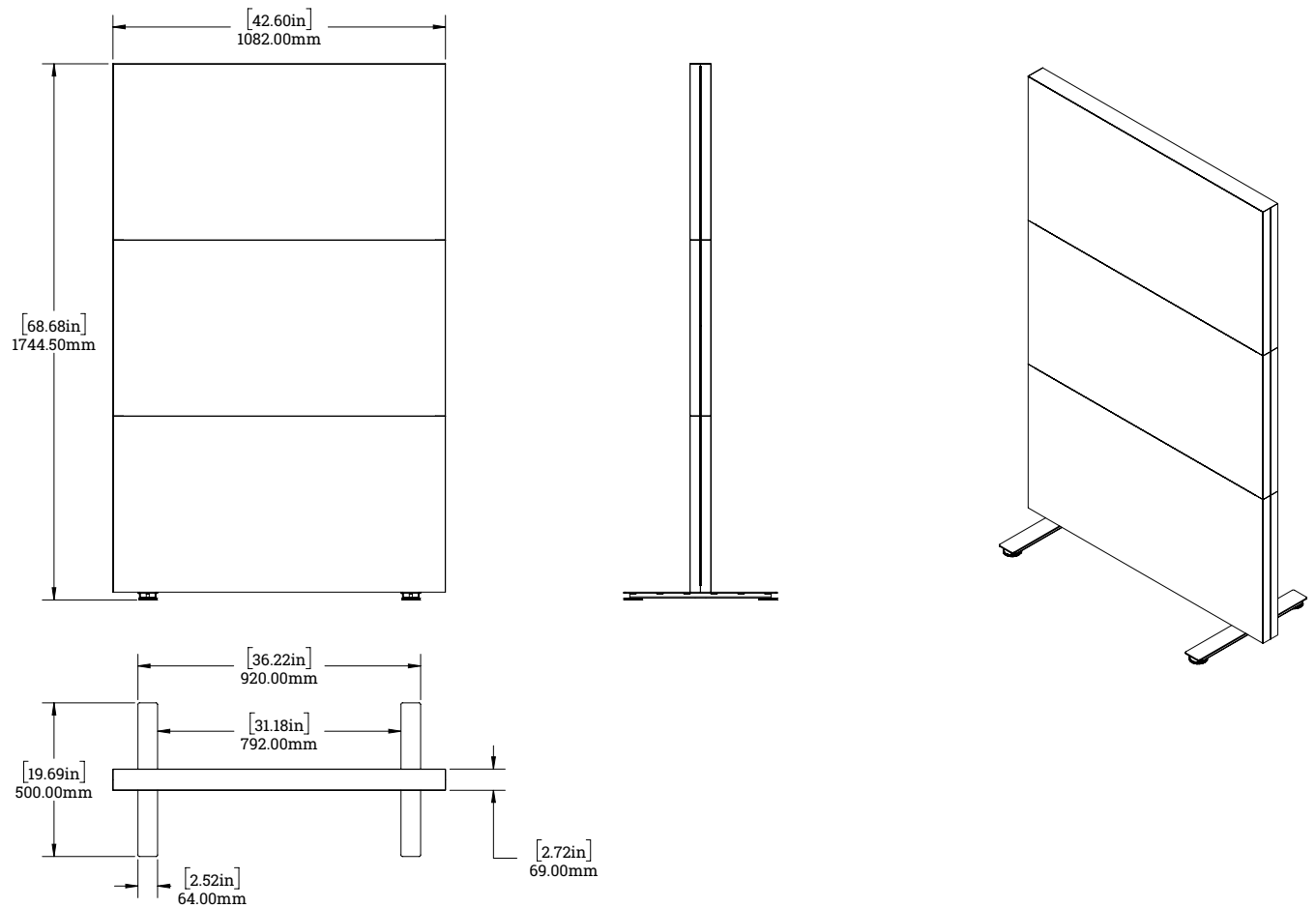
Warranty 2 Years



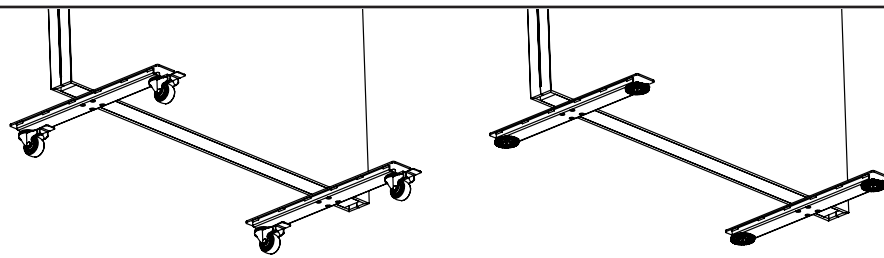
SOFWAL BLOK

Divider

Sofwal General Dimensions



Hardware Configurations



50mm Castor w/ H-Foot

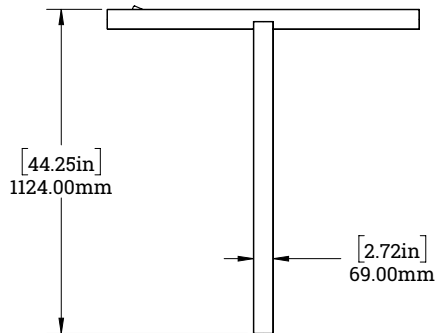
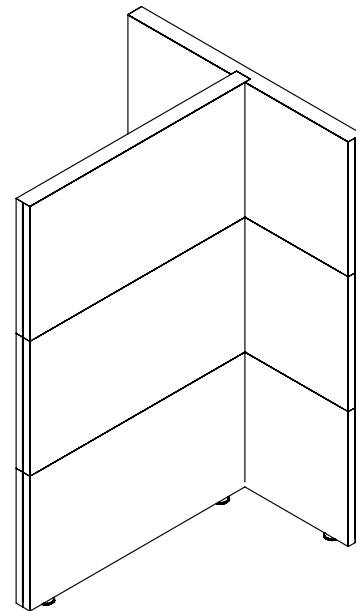
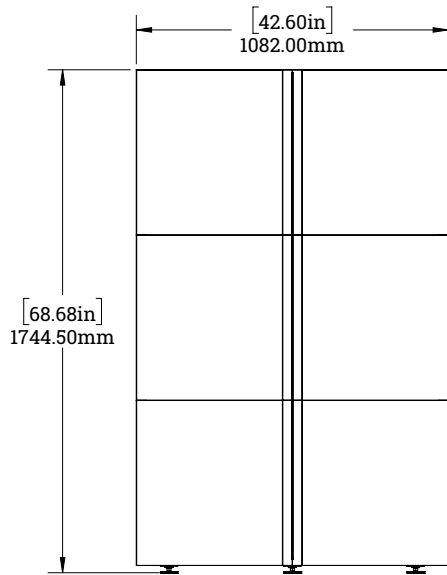
Glider w/ H-foot

* Two-year limited warranty guarantees all of our products are free from defects in the materials and maintain their quality of craftsmanship. See our two-year warranty sheet for full details.

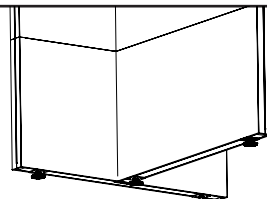
SOFWAL BLOK

Divider

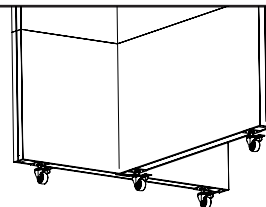
T-Blok General Dimensions



Hardware Configurations



Glider



50mm Castor

* Two-year limited warranty guarantees all of our products are free from defects in the materials and maintain their quality of craftsmanship. See our two-year warranty sheet for full details.