



STRATAWOOD® 2X2

Fräsch was founded on the belief that creating healthy and beautiful office environments leads to a happier and highly motivated workforce.



STRATAWOOD 2X2

Acoustical Drop Grid Ceiling Application

STRATAWOOD 2x2 is an update on the innovative STRATAWOOD original, now available in 2-foot x 2-foot pieces that perfectly fit into common T-grid ceilings. Easily refresh existing or create a new wood ceiling for a fraction of the cost of traditional wood ceiling while gaining the unparalleled acoustic benefits of PET Felt. Choose from a range of wood veneer options and make STRATAWOOD 2x2 uniquely yours.

Application T-Grid Ceiling

Size:
2x2 23.62" W x 23.62" D x .85" H

Hardware
Default: Requires pre-installed T-grid with 2'x2' spacing.

Material Content 9 mm 100% PET, MDF, Wood Veneer

Flammability ASTM E84 Class B

Acoustics

Frequency (Hz)	250	500	1K	2K	NRC
NRC	0.39	0.87	1.10	0.81	0.80
Sabins per m ²	2.82	6.37	8.04	5.93	

Test reflects material ratings. Product testing according to standard mounting procedures coming soon.

All NRC testings assumes one face/one object and does not account for the product thickness

Environment

PET utilizes 55% Post-Consumer Recycled Content and is 100% recyclable
Low VOC
CARB-approved TPC
FSC Chain of Custody Certified

Installation

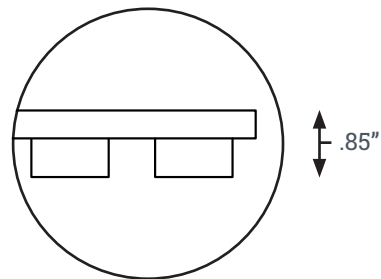
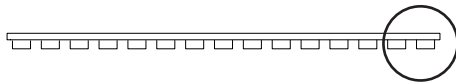
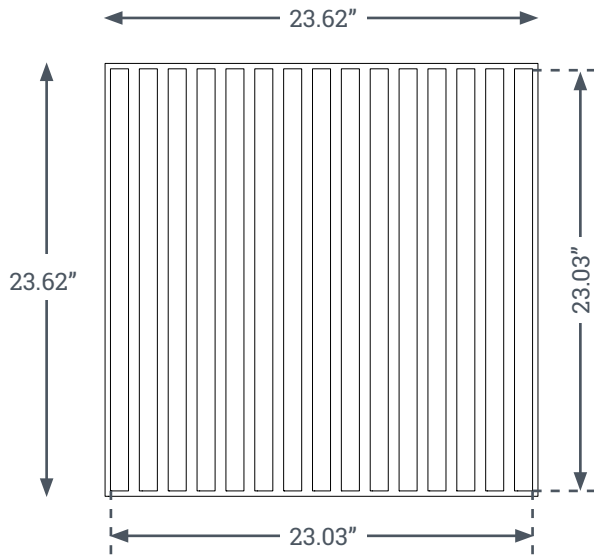
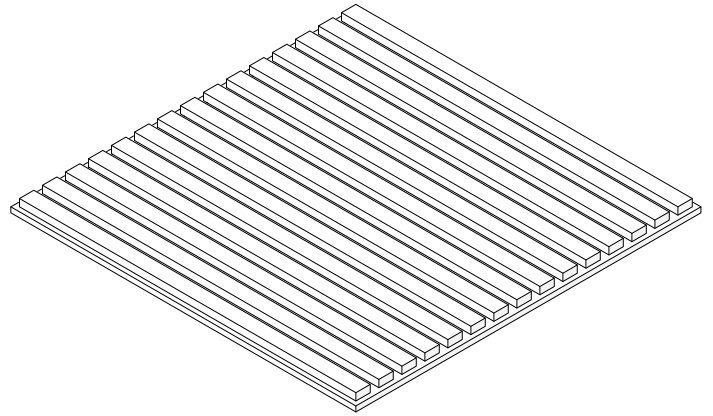
STRATAWOOD 2X2 is easily installed by dropping the tiles into pre-installed T-grid ceiling.

Country of Origin USA

Warranty 2 Years



STRATA 2X2 DIMENSIONS



* Two-year limited warranty guarantees all of our products are free from defects in the materials and maintain their quality of craftsmanship. See our two-year warranty sheet for full details.