



## StratoScape ORB

Fräsch was founded on the belief that creating healthy and beautiful office environments leads to a happier and highly motivated workforce.



## StratoScope ORB

### Suspended Baffle

Embrace the allure of Orb, a suspended acoustic ceiling raft that effectively reduces reverberation within spaces to create a captivating visual ambiance.

Thanks to its modularity, architects and designers can easily integrate these suspended clouds into any environment.

**Application** Suspended Acoustic System

#### Components

87.6in X 67.9in X 11.8in

#### Hardware

Default: Convenient Snap together construction

**Material Content** 12 mm 100% PET (55% recycled content)

**Flammability** ASTM E84 Class A or B

#### Acoustics

**NRC** 0.35 0.54 0.85 1.22 0.75

NRC rating is based on one full sheet of 12mm PET material

**Environment** Low VOC;  
Post-Consumer Recycled Content  
100% Recyclable

#### Installation

ORB is suspended from the ceiling.

**Country of Origin** USA

**Warranty** 2 Years

Designed by  
**1six8**

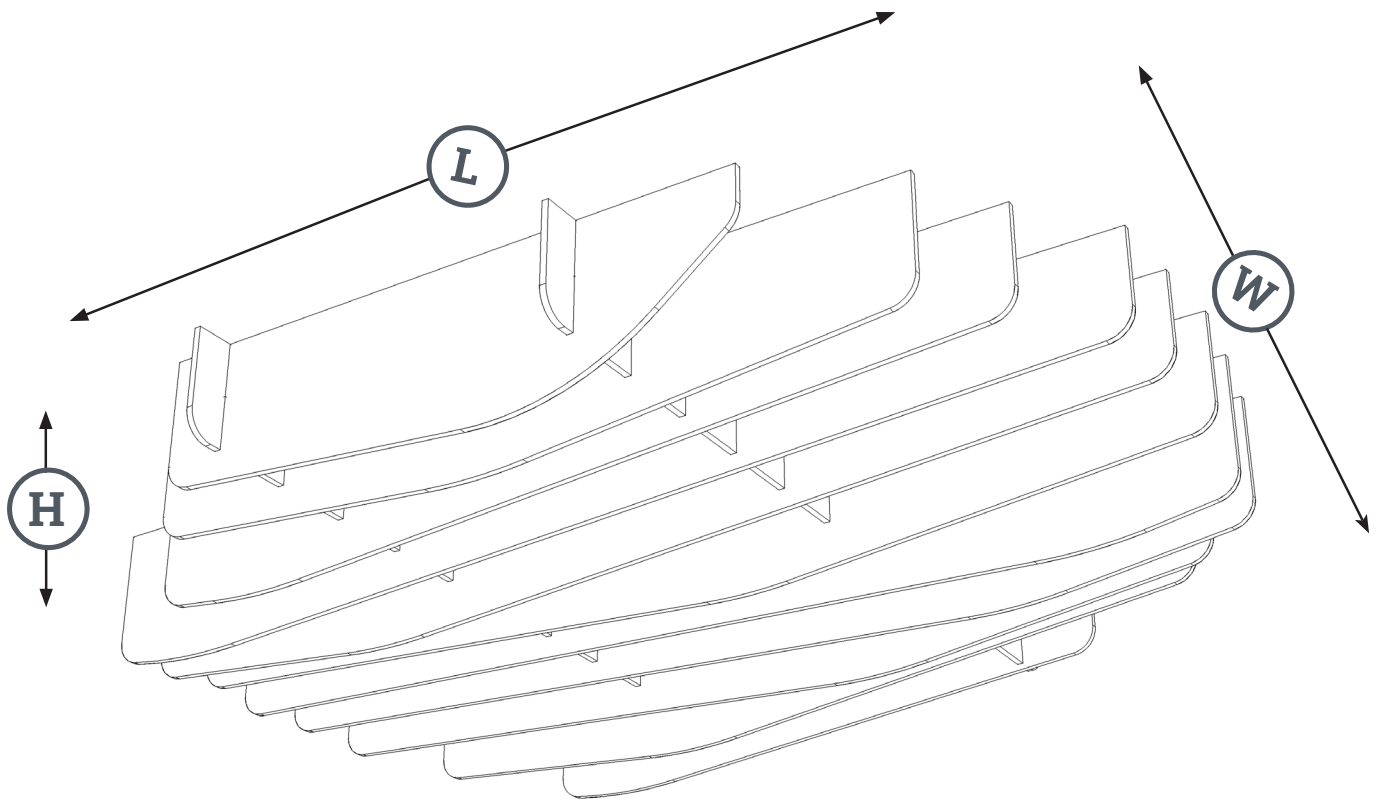
**fräsch!**

609 112th Street, Suite A  
Arlington, TX 76011

# ORB

## Dimensions

---

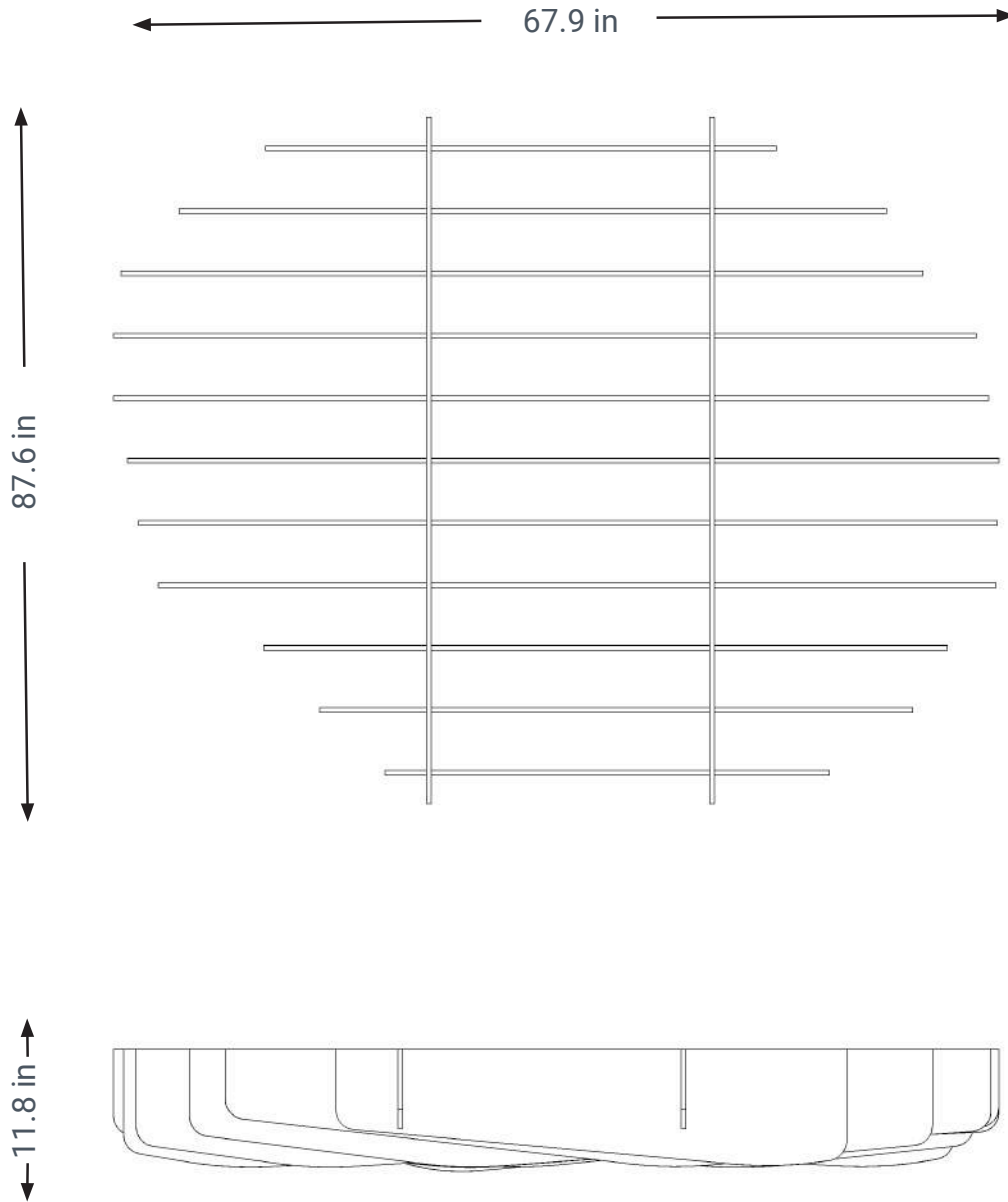


HEIGHT	LENGTH	WIDTH
11.8 in	87.6 in	67.9 in

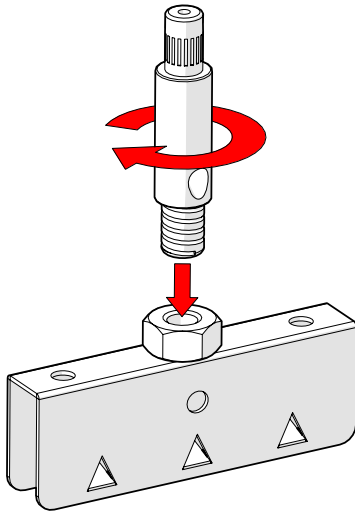
# ORB

## Dimensions

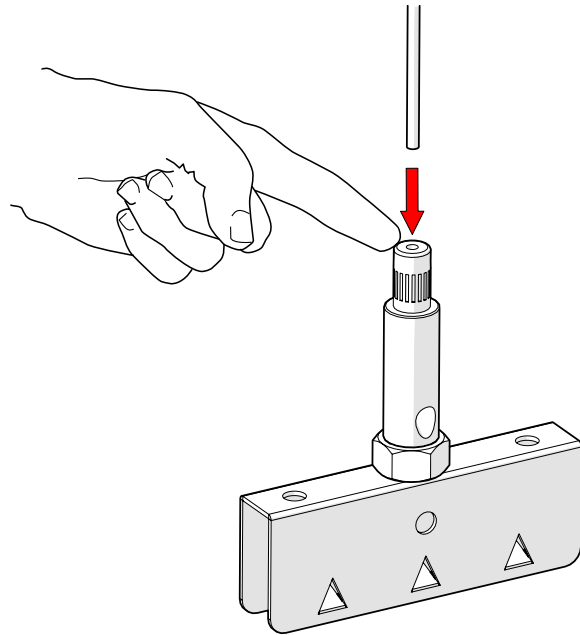
---



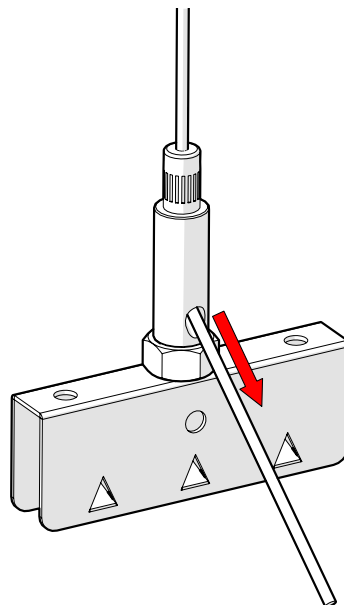
## GRIP LOCK/AIRCRAFT CABLE INSTALLATION



A - Screw grip lock into the hex nut welded to the spike bracket.



B - To insert the aircraft cable into the grip lock, press firmly on the nipple while threading the cable through the channel. Release the nipple to lock the cable in place.



Cut any excess cable with wire cutters