



VIBE-SWAY

Fräsch was founded on the belief that creating healthy and beautiful office environments leads to a happier and highly motivated workforce.



VIBE-SWAY FINS

Acoustical Drop Grid Ceiling Application

Like a cresting wave, provide a gentle sense of movement to any dropped ceiling. VIBE-SWAY (FINS) utilizes PET blades for a fan-like aesthetic in a pleasing form. VIBE-SWAY (FINS) utilizes a patent pending Spike Bracket to easily snap into any existing T-Grid. Can be used alone or mixed and match with VIBE-SWAY (SOLID).

Application Ceiling Grid Application

	L	W	H	WEIGHT
VIBE-SWAY (FINS)	24"	24"	4"	1.7 lbs.

Custom sizing available

Hardware

Default: Drop Ceiling: Spike Bracket, Bracket Joiner, T-Bar Clip

Material Content 9 mm 100% PET (55% recycled content)

Flammability ASTM E84 Class A or B

Acoustics

Frequency (Hz)	250	500	1K	2K	NRC
NRC	0.35	0.54	0.85	1.22	0.75
Sabins per m ²	1.40	2.17	3.39	4.89	

Test was conducted while product was in its actual installation setting

All NRC testings assumes one face/one object and does not account for the product thickness

Environment

Low VOC;
Post-Consumer Recycled Content
100% Recyclable

Installation

VIBE-SWAY (FINS) comes fully constructed with LF Spike Bracket assembly for simple and fast installation to existing T-Grid ceiling. Custom installing may be requested for other ceiling type.

Country of Origin

USA

Warranty

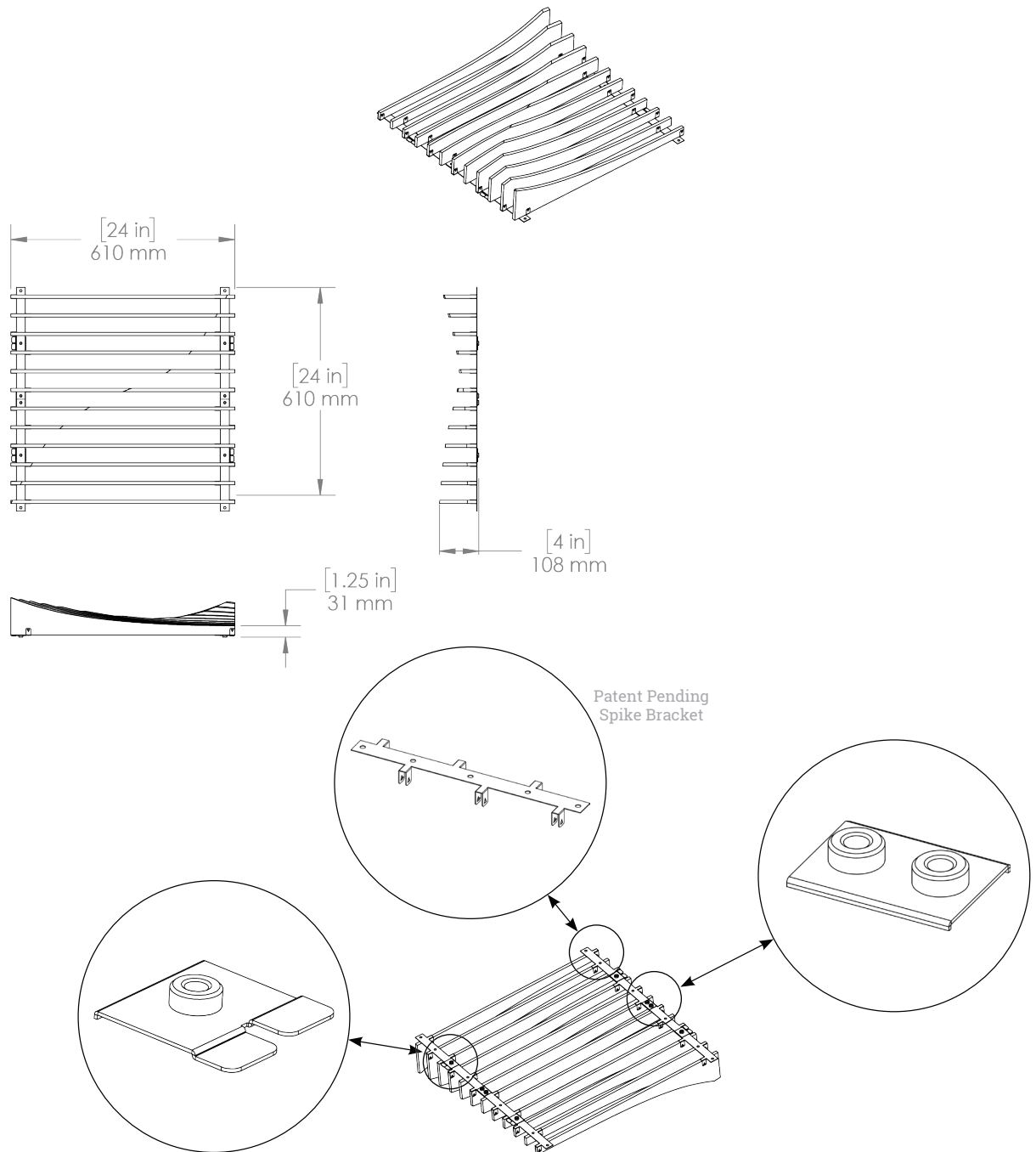
2 Years

fräsch!

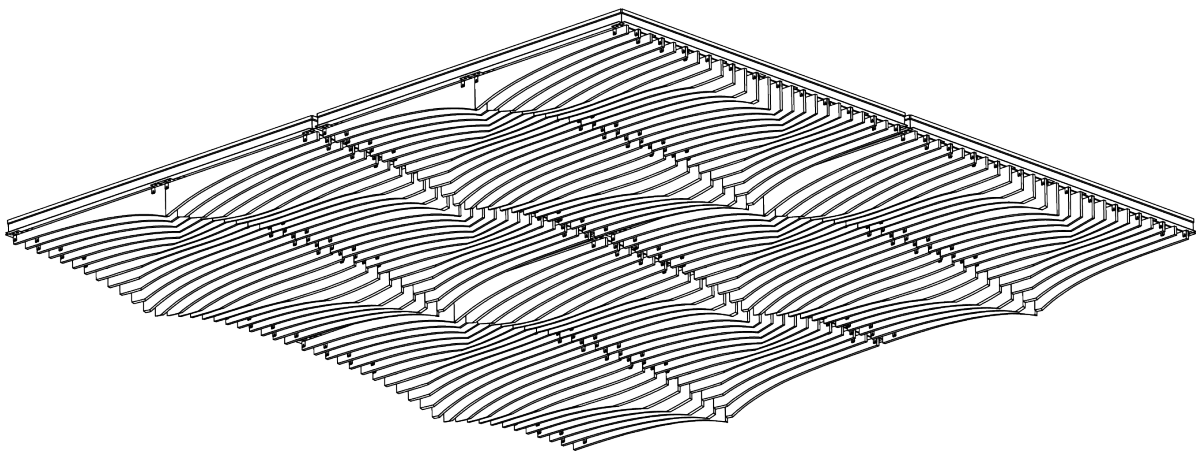
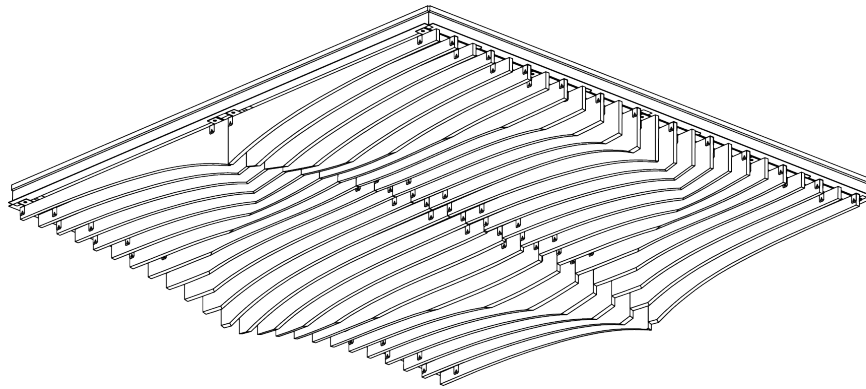
609 112th Street, Suite A
Arlington, TX 76011

VIBE-SWAY (FINS)

Dimensions & Hardware Info



VIBE-SWAY (FINS) Ceiling Layouts





VIBE-SWAY (SOLID)

Acoustical Ceiling Block Structure

Architectural geometry creates a three-dimensional ceiling application with a hollow cavity for optimal sound absorption. It can snap right into a T-Grid or even be transformed into a suspended installation. VIBE-SWAY (SOLID) can be used independently or mixed and matched with VIBE-SWAY (FINS) for a contemporary aesthetic.

Application Ceiling Suspended

	L	W	H	WEIGHT
VIBE-SWAY (SOLID)	24"	24"	4"	1.9 lbs.

Hardware

Default: Drop Ceiling: Magnet

Material Content 9 mm 100% PET (55% recycled content)

Flammability ASTM E84 Class A or B

Acoustics

Frequency (Hz)	250	500	1K	2K	NRC
NRC	0.59	0.97	1.07	1.07	0.95
Sabins per m ²	3.96	6.48	7.16	7.15	

Test was conducted while product was in its actual installation setting

All NRC testings assumes one face/one object and does not account for the product thickness

Environment

Low VOC;
Post-Consumer Recycled Content
100% Recyclable

Installation

VIBE-SWAY (SOLID) comes fully constructed with magnetic backings for simple and fast installation to existing T-Grid ceiling. Custom installing may be requested for other ceiling type.

Country of Origin

USA

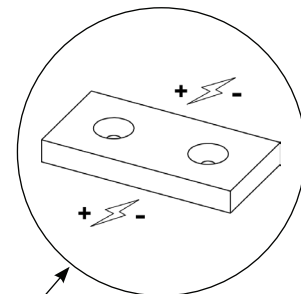
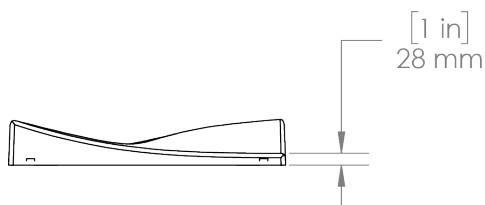
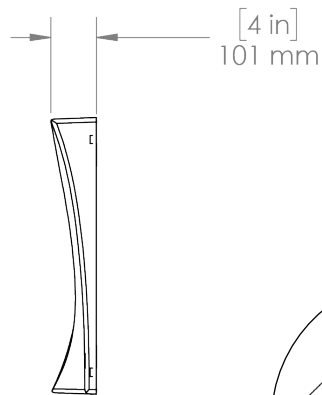
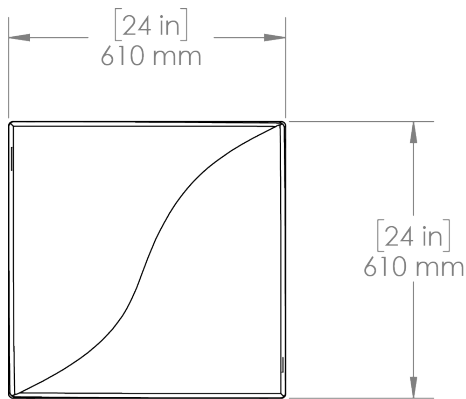
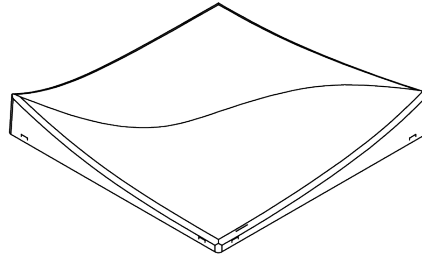
Warranty

2 Years

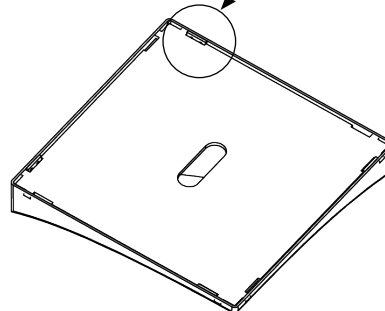
fräsch!

609 112th Street, Suite A
Arlington, TX 76011

VIBE-SWAY (SOLID) Dimensions



* Magnets come pre-installed



VIBE-SWAY (SOLID) Ceiling Layouts

