



TRIANGLE

Fräsch was founded on the belief that creating healthy and beautiful office environments leads to a happier and highly motivated workforce.



TRIANGLE

Acoustical Wall Tile

Simple triangle geometric patterns formed by sound-absorbing panels, for any environment. Each individual triangle-shaped panel aligns tightly to the next to form the overall shape. Triangle acoustic panels are customizable with a range of colors.

Easily glues directly to the wall, and each TRIANGLE is easily cut to accommodate wall size.

Application	Wall
--------------------	------

	L	W	H	WEIGHT
TRIANGLE	13.5"	0.35"	12"	.21 lbs.
TRIANGLE [SET OF 48]	54"	0.35"	40.5"	10 lbs.

Custom sizing available

Hardware

Default: Roberts 3095 Carpet Adhesive, Heavy Duty Liquid Nail

Material Content 9 mm 100% PET (55% recycled content)

Flammability ASTM E84 Class A or B

Acoustics

Frequency (Hz)	250	500	1K	2K	NRC
NRC	0.04	0.16	0.40	0.63	0.30
Sabins per m²	0.27	1.07	2.71	4.18	

Test was conducted while product was in its actual installation setting

All NRC testings assumes one face/one object and does not account for the product thickness

Environment

Low VOC;
Post-Consumer Recycled Content
100% Recyclable

Installation

Simply glue one TRIANGLE at a time; TRIANGLE easily cuts to fit your wall space.

Country of Origin

USA

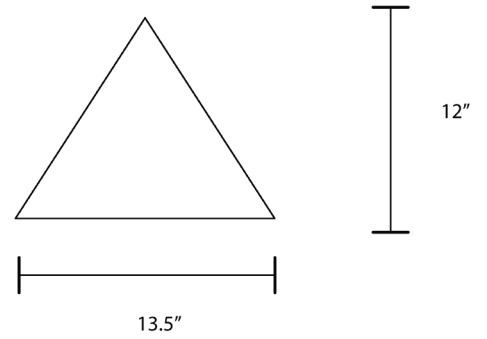
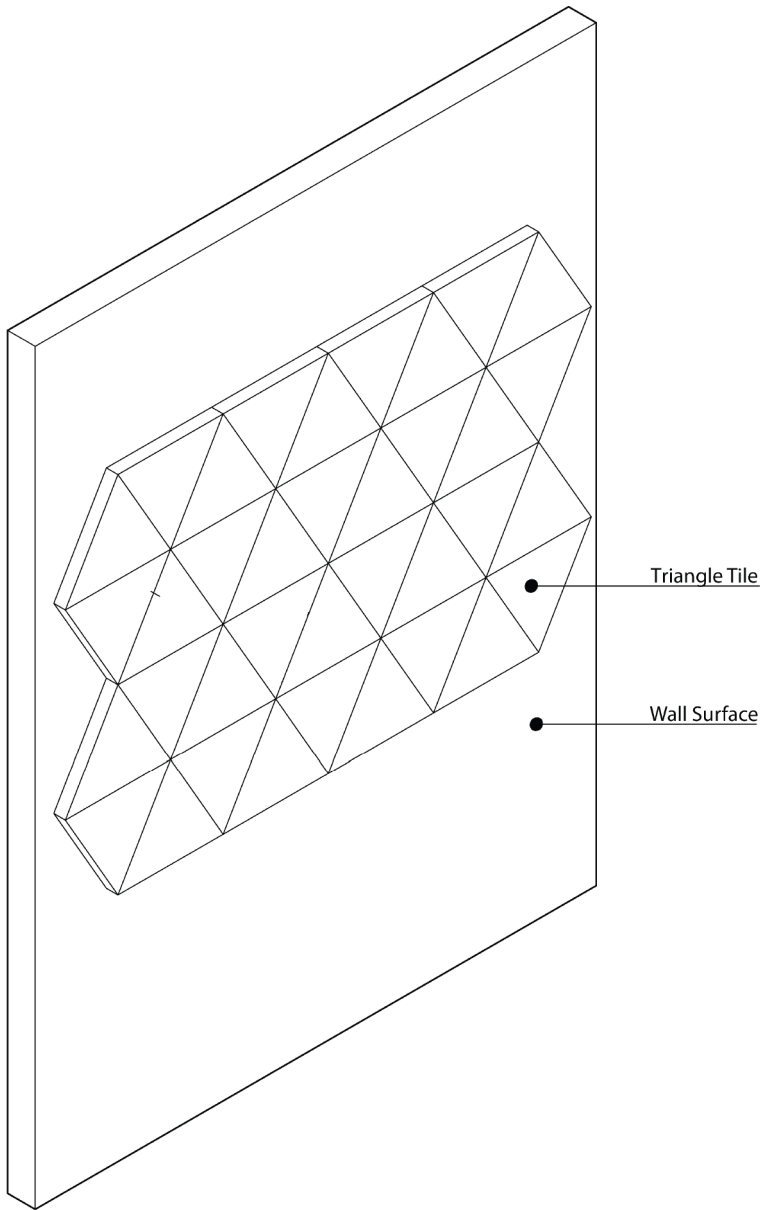
Warranty

2 Years



609 112th Street, Suite A
Arlington, TX 76011

TRIANGLE Dimensions



TRIANGLE

Suggested Arrangements



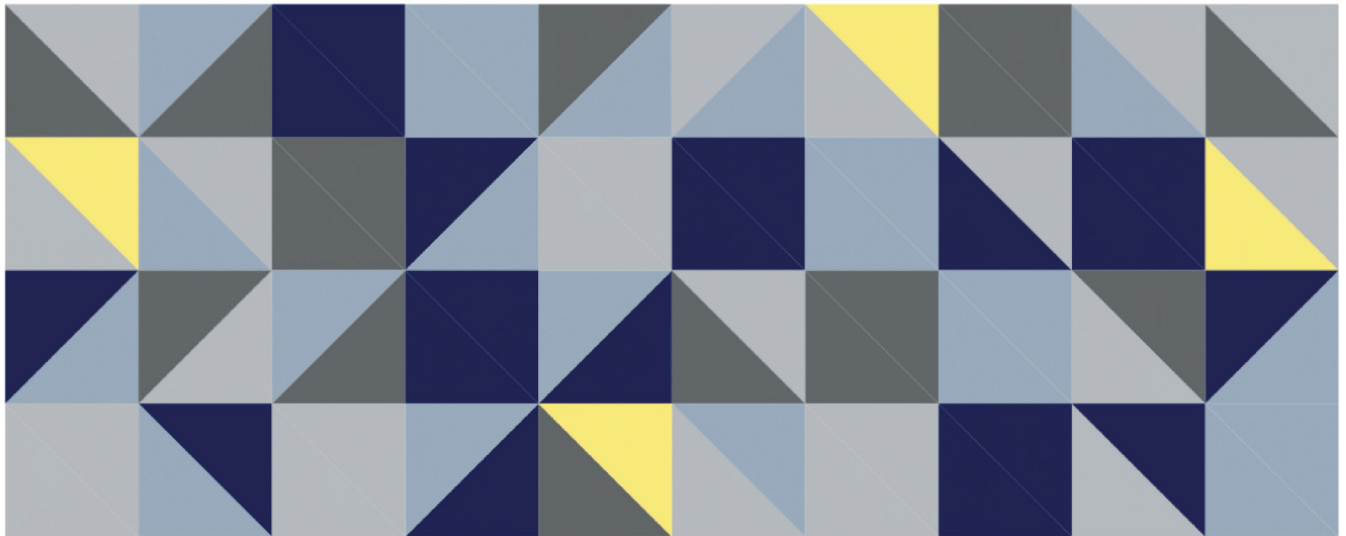
Pattern 1



Pattern 2

TRIANGLE

Suggested Arrangements



Pattern 3