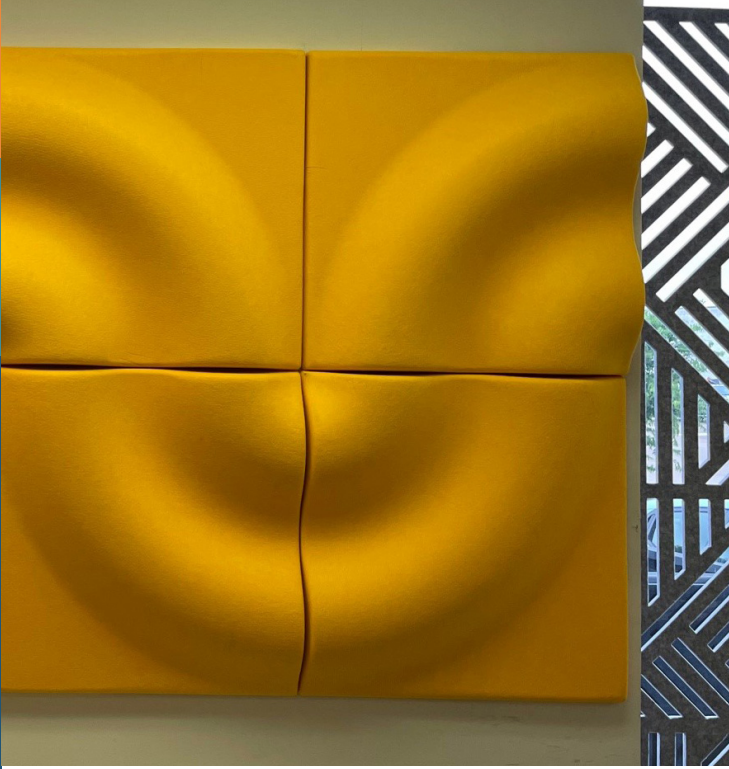




VIBE-NAMI WALL

Fräsch was founded on the belief that creating healthy and beautiful office environments leads to a happier and highly motivated workforce.



VIBE-NAMI (SOLID)

Acoustical Wall Tiles

Architectural geometry creates a three-dimensional ceiling application with a hollow cavity for optimal sound absorption. It can snap right onto impeller clips and be arranged in any pattern. VIBE-NAMI (SOLID) can be used independently or mixed and matched with VIBE-NAMI (FINS) for a contemporary aesthetic.

Application	Wall Mount			
	L	W	H	WEIGHT
VIBE-NAMI (SOLID)	24"	24"	4"	1.9 lbs.

Hardware

Default: Impeller Clip with Sheetrock Screws

Material Content 9 mm 100% PET (55% recycled content)

Flammability ASTM E84 Class A or B

Acoustics

Frequency (Hz)	250	500	1K	2K	NRC
NRC	0.50	0.97	1.07	1.07	0.95
Sabins per m ²	3.96	6.48	7.16	7.15	

Test was conducted while product was in its actual installation setting

All NRC testings assumes one face/one object and does not account for the product thickness

Environment

Low VOC;
Post-Consumer Recycled Content
100% Recyclable

Installation

VIBE-NAMI (SOLID) comes fully constructed, simply plan your layout area and mount VIBE-NAMI (SOLID) with impeller clips directly onto your wall surface. Custom installing may be requested for other wall type.

Country of Origin

USA

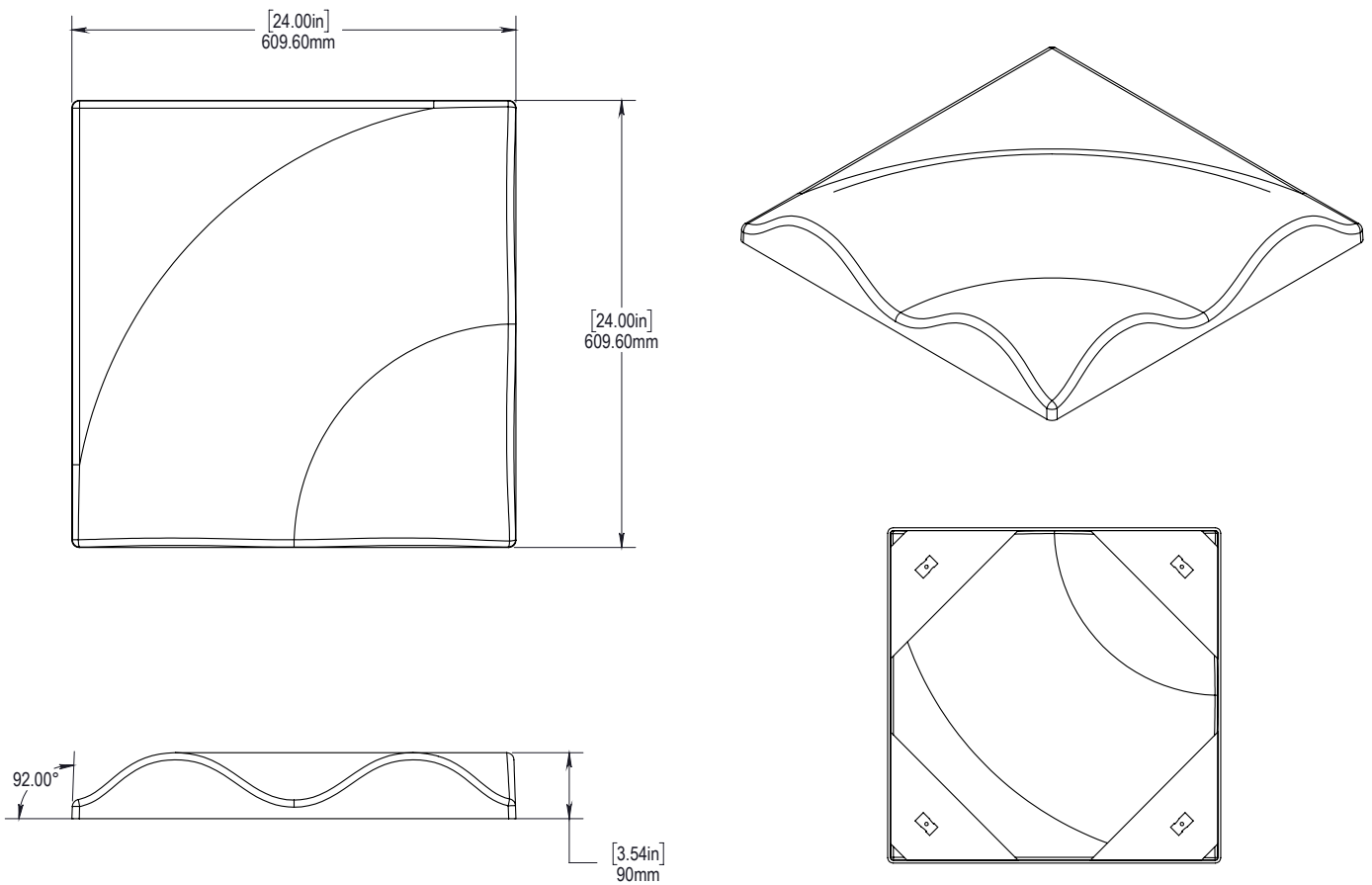
Warranty

2 Years

fräsch!

609 112th Street, Suite A
Arlington, TX 76011

VIBE-NAMI WALL (SOLID) Dimensions



VIBE-NAMI WALL (SOLID) Installation & Wall Layout

