



## VIBE-SWAY WALL

Fräsch was founded on the belief that creating healthy and beautiful office environments leads to a happier and highly motivated workforce.



## VIBE-SWAY WALL (SOLID)

Acoustical Wall Tile

Architectural geometry creates a three-dimensional ceiling application with a hollow cavity for optimal sound absorption. It can snap right onto impeller clips and be arranged in any pattern. VIBE-SWAY (SOLID) can be used independently or mixed and matched with VIBE-SWAY (FINS) for a contemporary aesthetic.

**Application** Wall Mount

	L	W	H	WEIGHT
VIBE-SWAY (SOLID)	24"	24"	4"	1.9 lbs.

### Hardware

Default: Impeller Clip with Sheetrock Screws

**Material Content** 9 mm 100% PET (55% recycled content)

**Flammability** ASTM E84 Class A or B

### Acoustics

Frequency (Hz)	250	500	1K	2K	NRC
NRC	0.59	0.97	1.07	1.07	0.95
Sabins per m <sup>2</sup>	3.96	6.48	7.16	7.15	

Test was conducted while product was in its actual installation setting

All NRC testings assumes one face/one object and does not account for the product thickness

### Environment

Low VOC;  
Post-Consumer Recycled Content  
100% Recyclable

### Installation

VIBE-SWAY (SOLID) comes fully constructed, simply plan your layout area and mount VIBE-SWAY (SOLID) with impeller clips directly onto your wall surface. Custom installing may be requested for other wall type.

### Country of Origin

USA

### Warranty

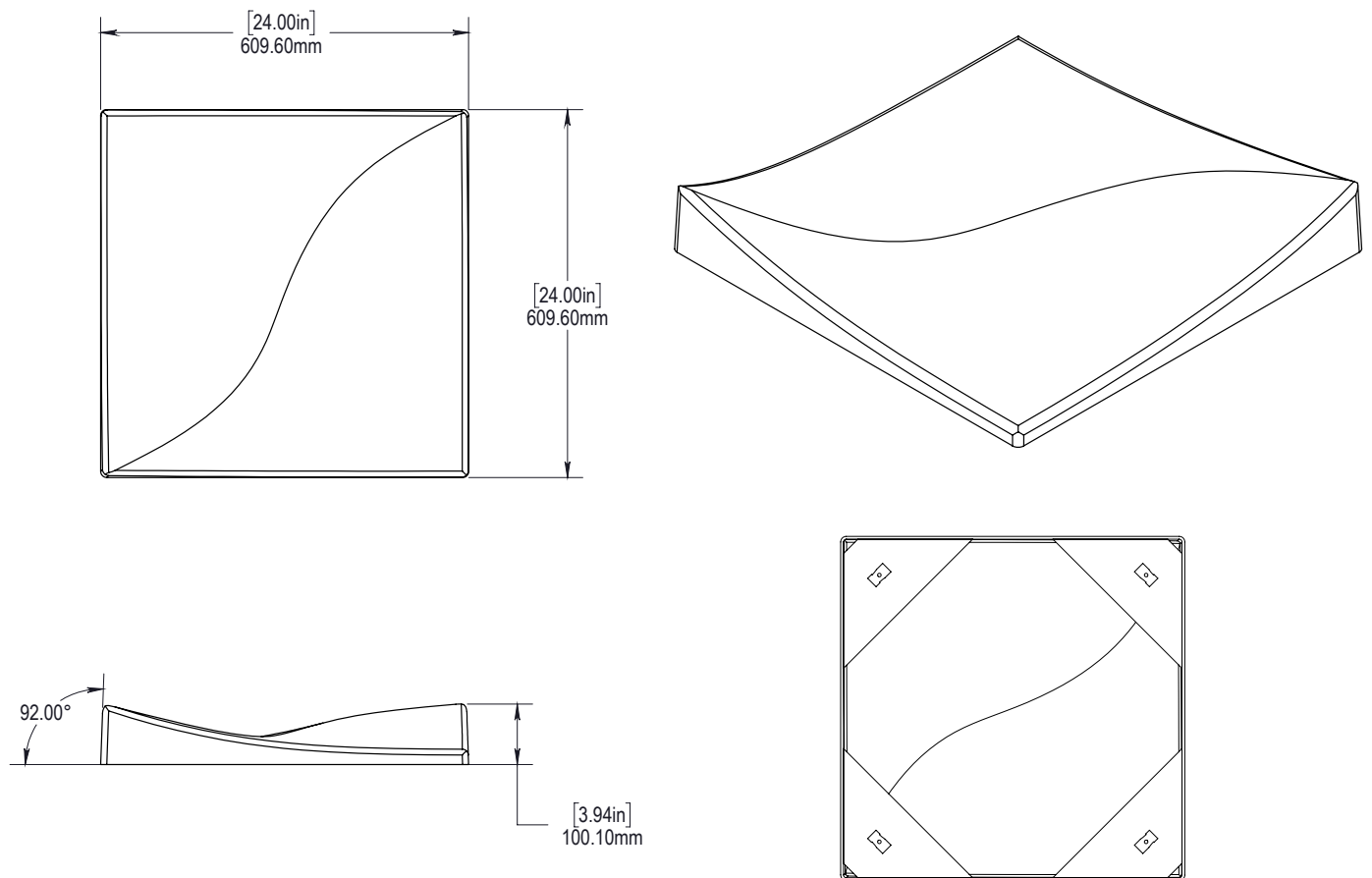
2 Years

**fräsch!**

609 112th Street, Suite A  
Arlington, TX 76011

## VIBE-SWAY WALL (SOLID) Dimensions

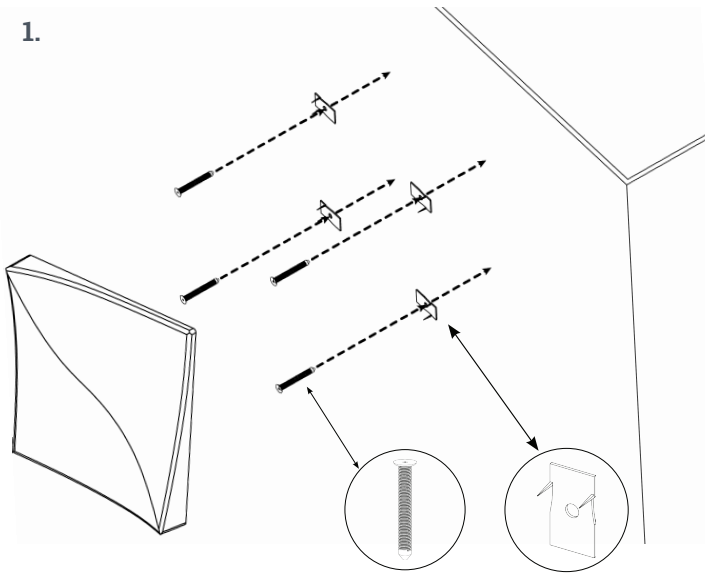
---



## VIBE-SWAY WALL (SOLID) Installation & Wall Layout

---

1.



2.

