

Light Diameter  
31" (79 cm)



3" (7.5 cm)



Distance from  
Junction Box to Light  
16" (40.5 cm) to  
37" (94 cm)

## UFO HALO LIGHT FIXTURE

Natural White

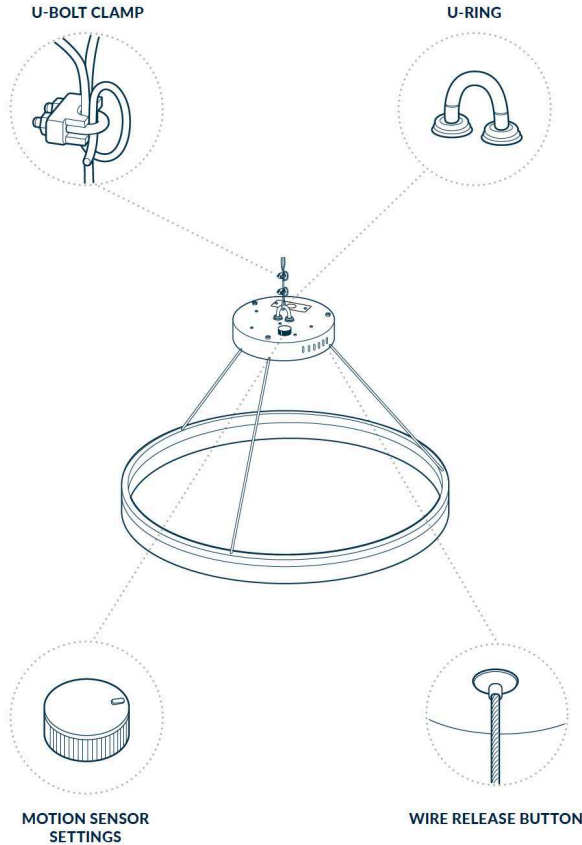
Designed for offices with open ceilings, the UFO Halo Light Fixture provides long-lasting, overhead LED lighting. With 2 lighting colors to choose from, it's easy to find the perfect lighting for your space. Plus, the 360-degree motion sensor and timer help save energy.

- Requires an Electrician to be Installed
- Energy-Efficient and Long-Lasting LEDs, No Bulbs to Replace
- Motion Sensor Can Detect Movement from up to 29' Away
- Motion Switch Timer Can Be Set in 5-Minute Increments up to 30 Minutes

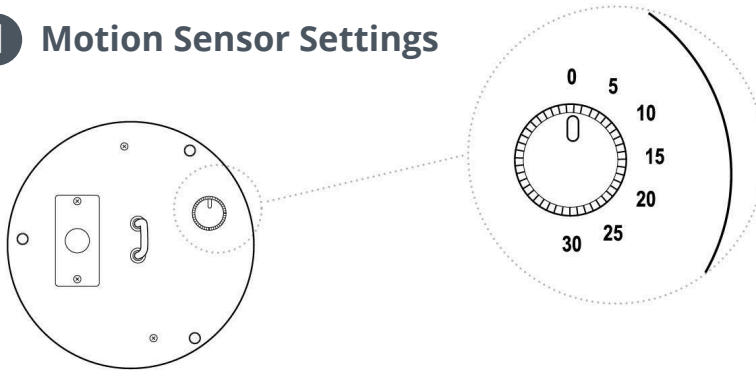
- UL 1598 Listed to Pass Building Code Regulations
- Lumen Output: 1700 lm
- Sold As an Individual Unit
- Whip Must Be Purchased Separately

# UFO HALO LIGHT FIXTURE

  
Electrician  
Required for  
Installation

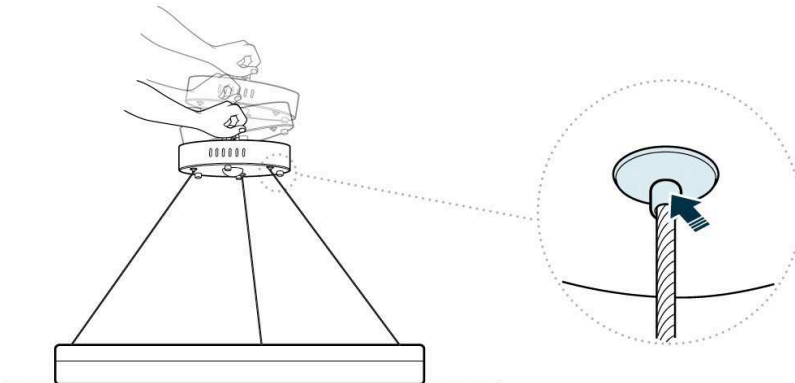


## 1 Motion Sensor Settings

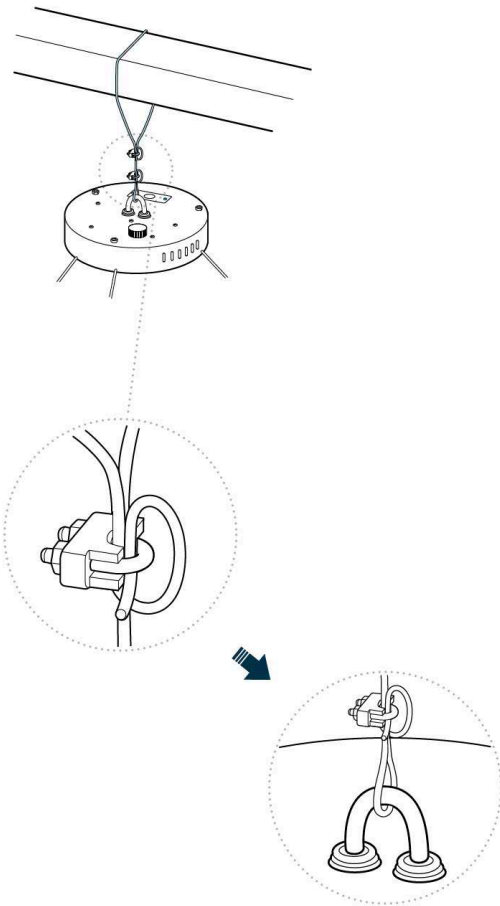


Before installing, set the motion sensor timer to the desired setting. You can set the motion timer switch in 5 minute increments up to 30 minutes; setting to 0 will keep the light from turning off. Sensor will detect movement from 360 degrees from up to 29 feet (9 meters) away, but for accurate sensing, plan to hang the light no more than 13 feet (4 meters) from the ground.

## 2 Wire Release Button

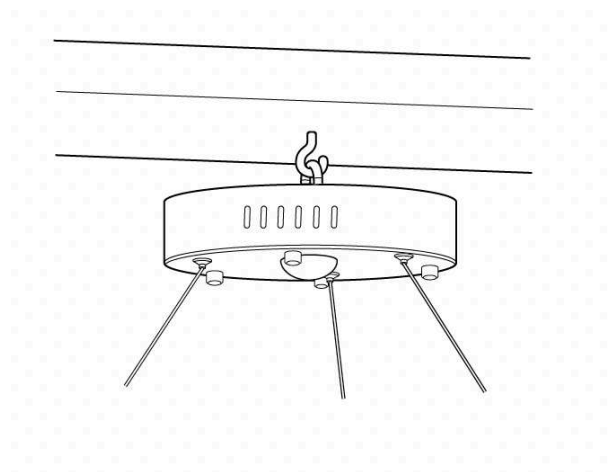


### 3 U-Bolt Option



Wrap cable around beam near connection point, and secure the string by using the first U-bolt clamp. Be sure to leave an excess 12 inches (30.5cm) on the bottom for a secondary loop necessary to hang the UFO Halo Light Fixture. Thread excess cable through the U-ring built into the top of the power base, then clamp at desired height using second U-bolt clamp. Use fingers to tighten the clamp initially and a wrench to fully tighten and secure the light. It's recommended that any beam used for installing a UFO Halo Light Fixture can support at least 33 lb. (15kg).

### 4 J-Hook Option



**WARNING:** To avoid electric shock, disconnect power at source prior to installation.



**ATTENTION:** Power sources should always be installed by a qualified electrician. For power supply and proper installation, reference NEC and local applicable building codes.



**WARNING:** To reduce risk of fire, electric shock, or personal injury, use only indoors and do not install in a wet or damp location.



**CAUTION:** Do not stare directly into lamp light. This could be damaging to your eyes.



**CAUTION:** Ensure power is off at source before cleaning. Do not use chemical solvents or harsh abrasives to clean as damage may occur.



**CAUTION:** Keep lamp away from materials that may burn.



**NOTICE:** This device complies with Part 15 of the FCC Rules. Operation is subject to the following two conditions: (1) this device may not cause harmful interference, and (2) this device must accept any interference received, including interference that may cause undesired operation.

# INSTALL INSTRUCTIONS

READ PRIOR TO ATTEMPTING INSTALLATION

**INSTALLATION SHOULD BE CARRIED OUT BY YOUR LOCAL ELECTRICIAN.**

MODEL	INPUT RATING
400770 Halo 31 inch Natural White	120 VOLTS, 0.22 AMPS, 25 WATTS, 60 HERTZ

**DANGER- RISK OF SHOCK**  
**DISCONNECT POWER BEFORE INSTALLATION**  
**REPLACE REMOVABLE PARTS AFTER SERVICING**  
**MODEL 400770 20-40 VOLTS, DC, 0.7 AMP**

## OUTLET BOX

### PLEASE READ: Important Information Before Installation

1. IMPORTANT- Risk of fire or electric shock.
2. IMPORTANT- To prevent wiring damage or abrasion, do not pinch or damage exposed wiring during installation.
3. IMPORTANT- Do not alter, relocate, or remove wiring, lampholders, power supply, or any other electrical component.
4. Verify power is off before installing or un-installing, or servicing.
5. Do not install product if it is damaged.
6. Please retain these instructions for maintenance reference.

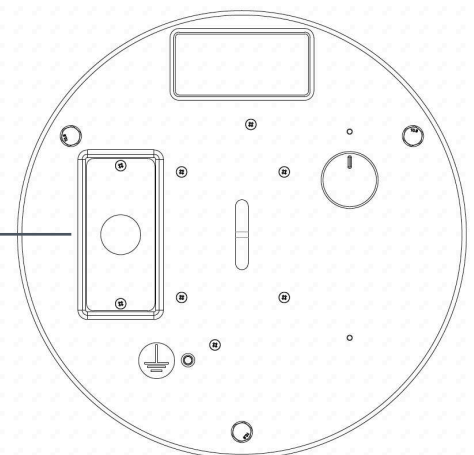
### WIRING INSTALLATION

1. Turn off power to the luminaire at switch and circuit breaker.
2. Remove the attachment plate on the control unit.
3. Attach the supply wire to the enclosure plate.
4. Connect the conductors black to black, white to white, and ground to ground.
5. Feed wires back into fixture and reattach the enclosure plate to the top of the luminaire.

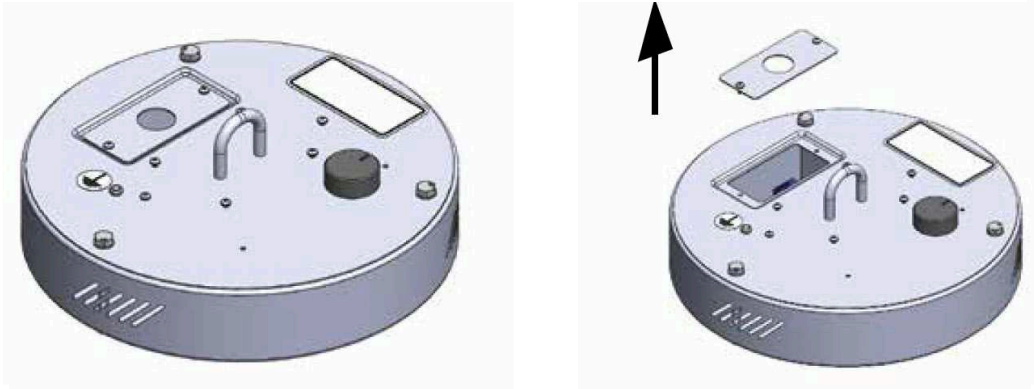
### ENCLOSURE PLATE OPENING

Enclosure plate rated to fit 3/8" (metric 12) and 1/2" fittings (metric 16).

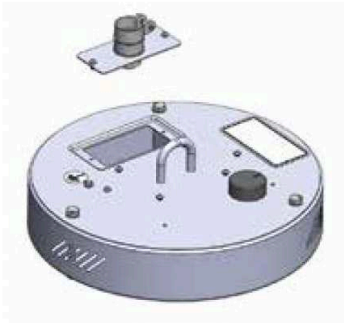
**ENCLOSURE PLATE OPENING**



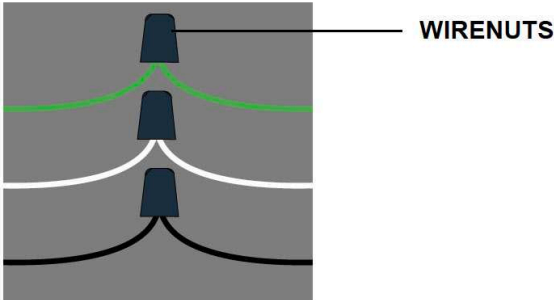
STEP 1: Using a screwdriver, remove wiring enclosure plate.



STEP 2: Attach raceway (flex metal conduit) and fittings to enclosure plate.



STEP 3: Connect the supply conductors in a manner compliant with your local electrical code. Shown here with wirenuts.



STEP 4: Reattach enclosure plate.

