

fräsch!



WEDGE

Acoustical 3D Shape

This multidimensional design addresses acoustics in multiple ways; geometry, large air cavity, as well as a larger amount of acoustical material per surface covered. Each wedge tile fits snugly next to each other to create many different intricate layouts.

Features	Featuring a Unique Geometric Pattern	
	Designed to Optimize Sound Absorption	
	Allows for Modular Placement and Customization	
	Easy Install and Care	
Dimensions	Warranty	*Limited 5 Years
	Product Weight	0.25-0.5 lbs.
	Length	13.5" and 24"
	Width	5.83"
Product Build	Height	3.5" and 5.5"
	Available Colors	25
	Material	PET
	Country of Origin	USA

Installation

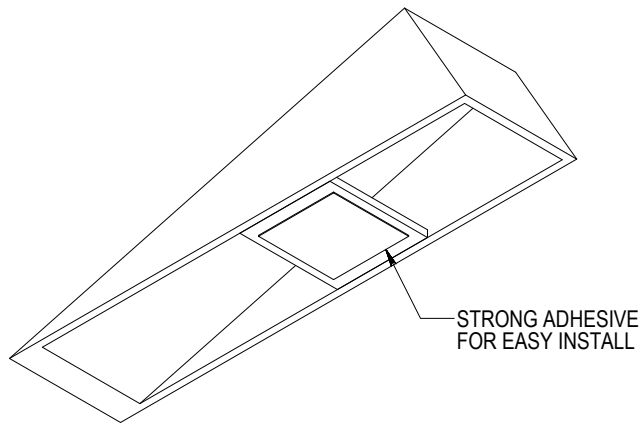
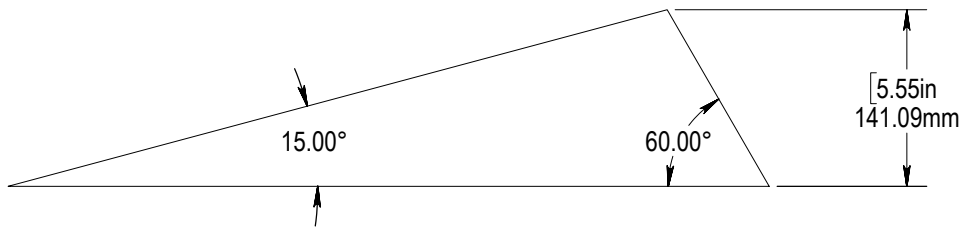
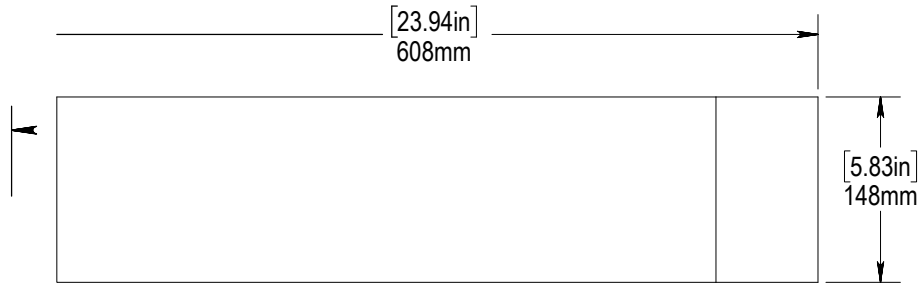
Each Wedge Tile has a large peel-and-stick backing for secure and easy install.

9mm Fella Color Guide



* Five-year limited warranty guarantees all of our products are free from defects in the materials and maintain their quality of craftsmanship. See our "Terms and Warranties" sheet for full details.

Dimensions



Layouts

