

Lit BAFL Installation

Acoustical Baffle

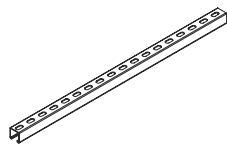
These installation suggestions consist of a common process for baffle installation. Installers should rely upon their own professional experience and understanding of their unique requirements to ensure a successful install.

Confirm your unistrut installation has been completed. Consult with a professional about a proper unistrut installation for your ceiling type (concrete vs. sheetrock).

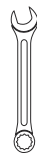
Tools You Will Need



Drill



Unistrut Installed



7/16" Wrench



Cable Cutter



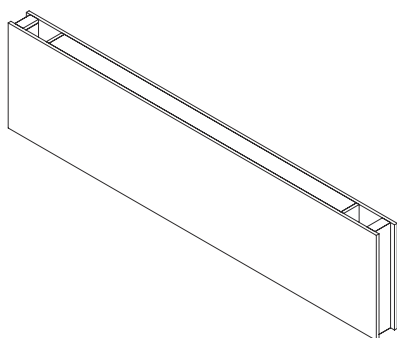
1/16" Aircraft Cable
Additional length, if any, will be determined by site needs

*Hardware accepts threaded rod, not included.

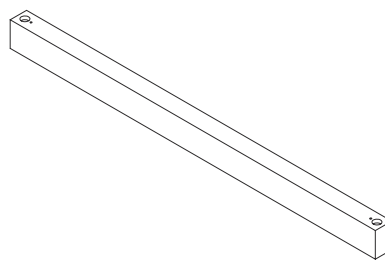
*Threaded Rod 1/4-20



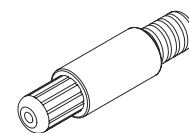
Items Included - Threaded Rod Installation



Baffle
specialty baffle with an opening for LED linear light



Light Fixture



(4) Channel Nut



(4) Coupling Nut



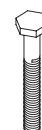
1/16" Aircraft Cable
3' per baffle included. Additional length required, if any, will be determined by site needs.



(2) 1/4" Nut



(2) Nylon Cone Nut



(2) 1/4-20 Bolt

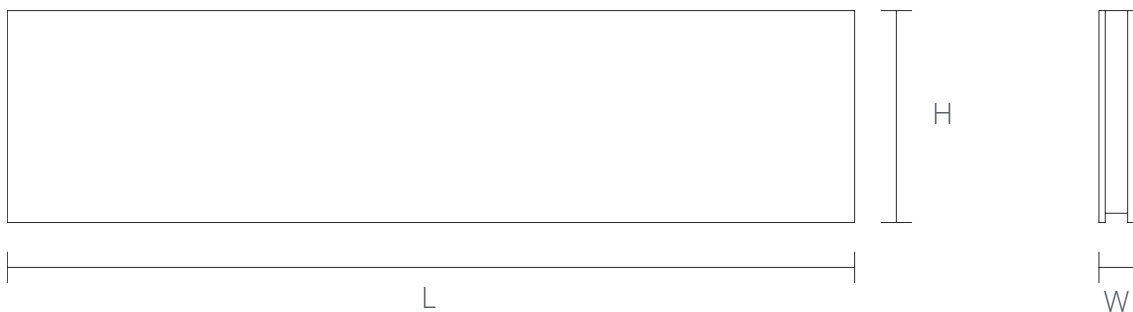


(2) Fender Washer

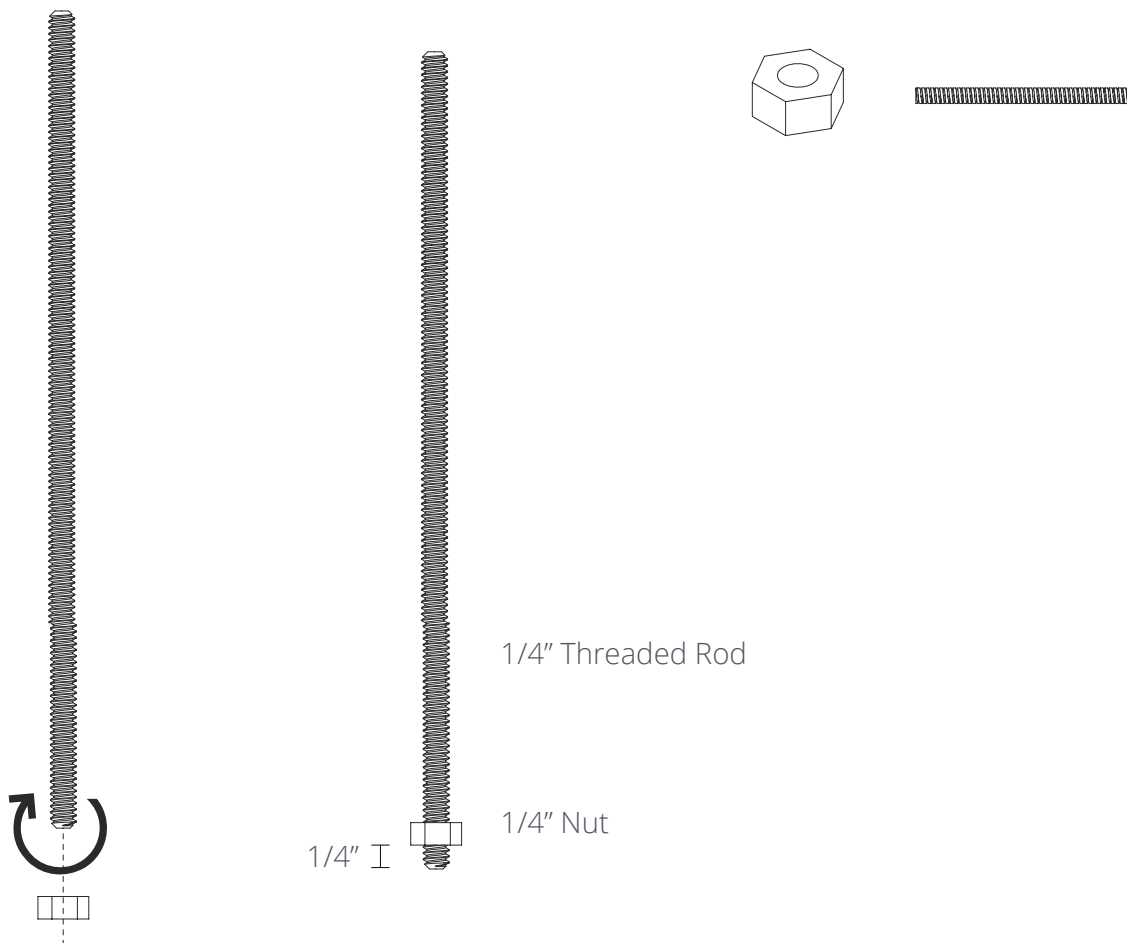
Lit BAFL Installation

Acoustical Baffle

1. Unwrap Baffle from plastic Wrap. Confirm baffle dimensions match your needs.



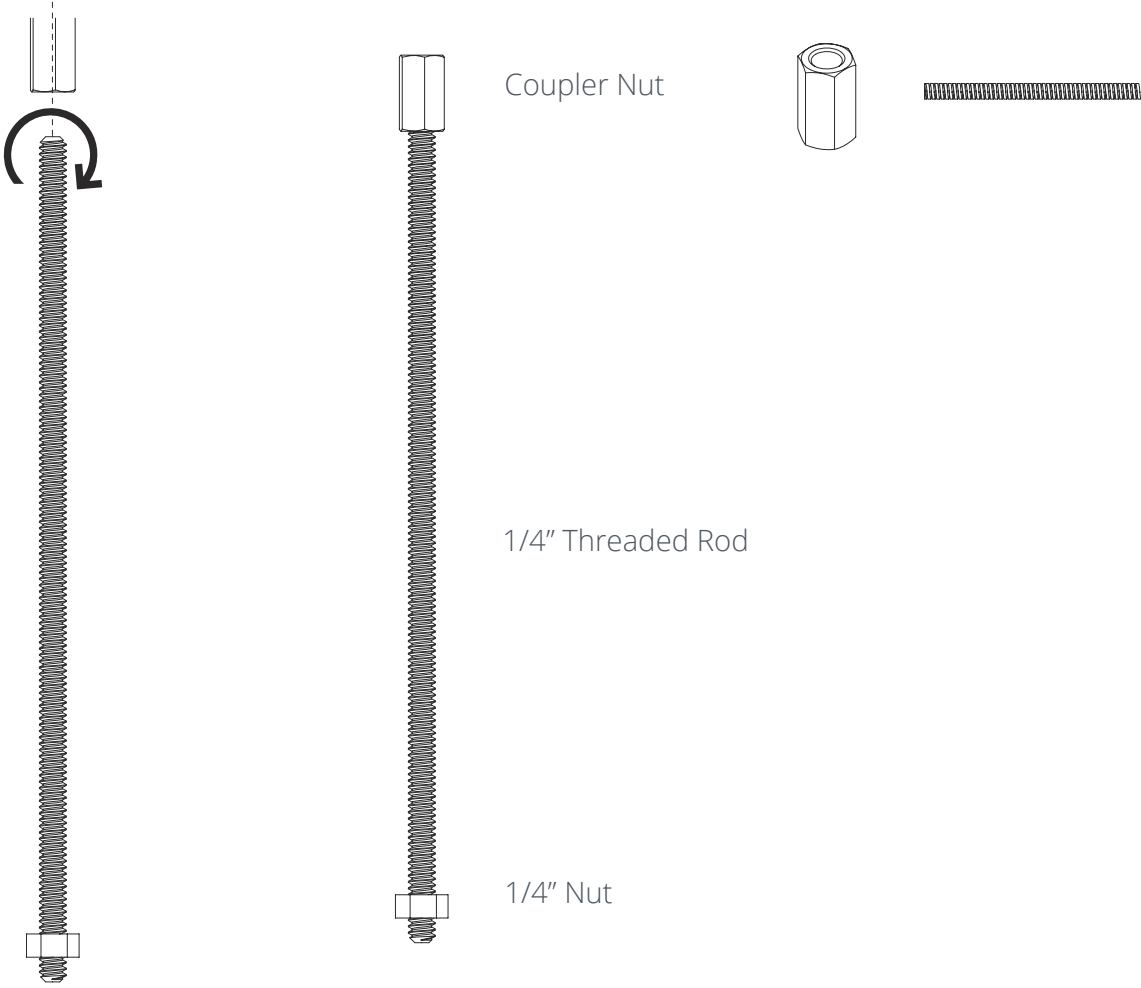
2. Insert 1/4-20 nut on the 1/4" threaded rod leaving 1/4" at the tip.



Lit BAFL Installation

Acoustical Baffle

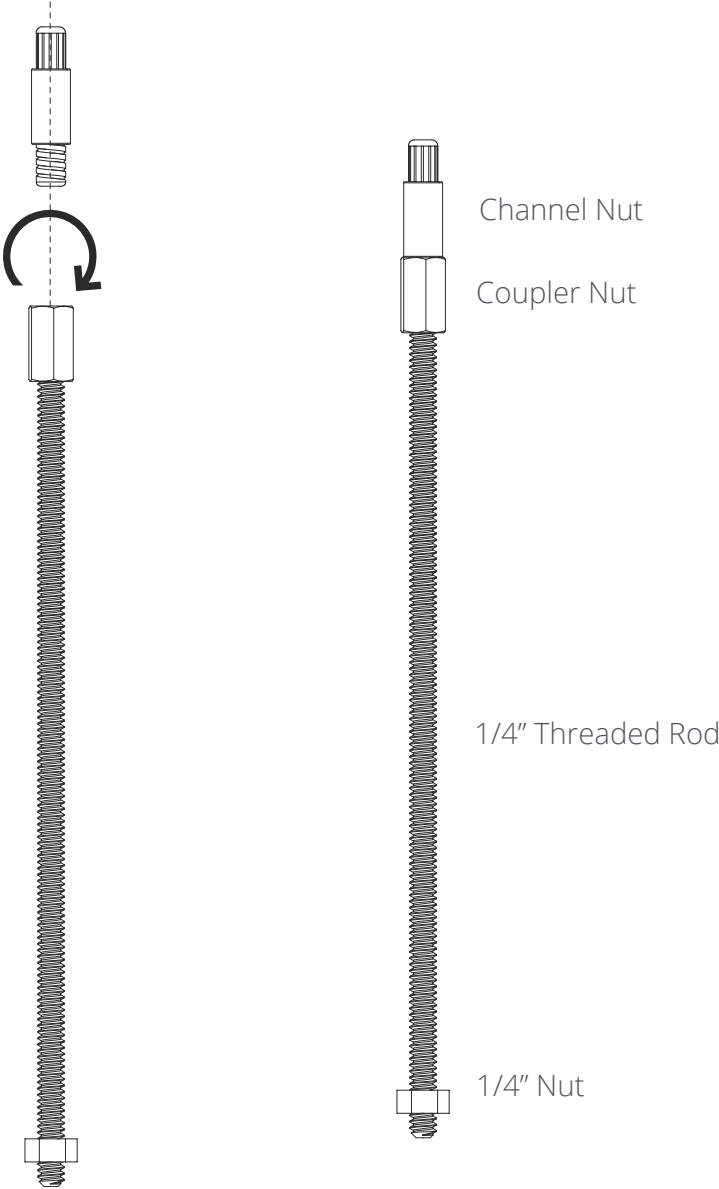
3. Insert the coupler nut from the other side all the way to the threaded rod.



Lit BAFL Installation

Acoustical Baffle

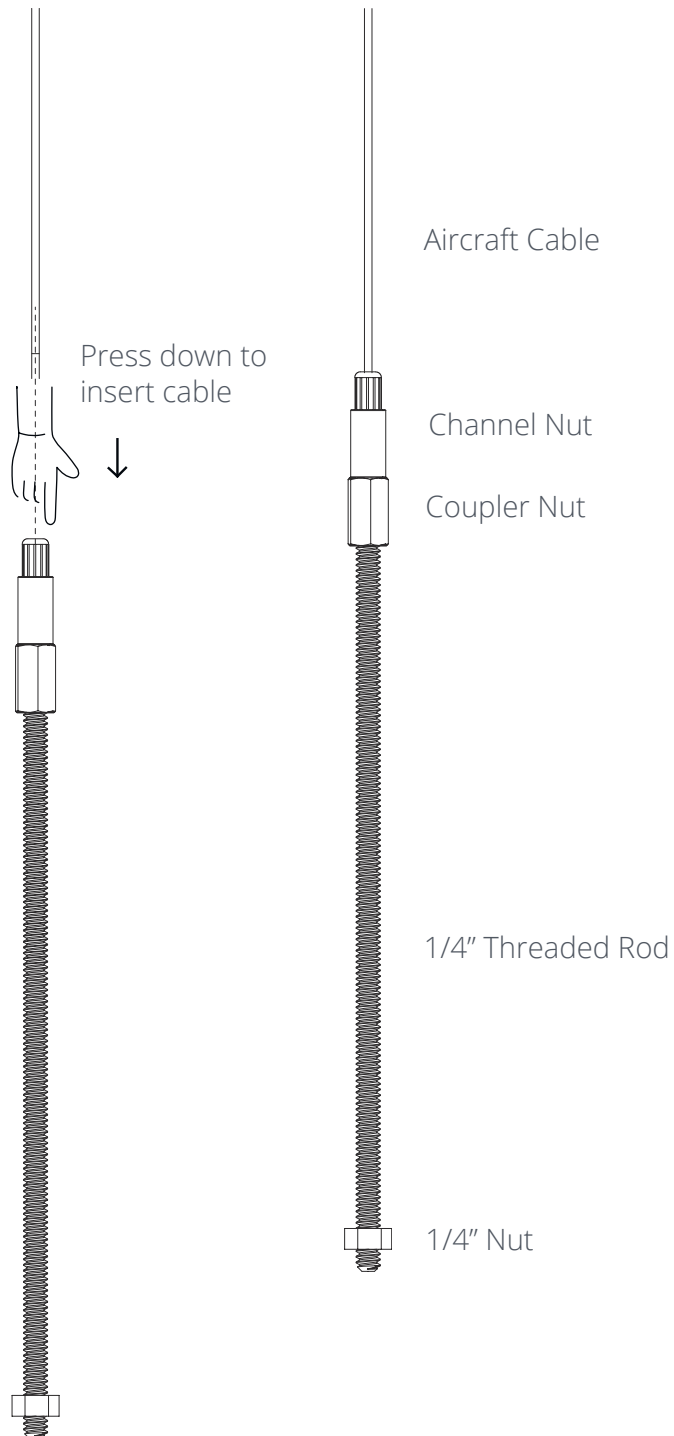
4. Take the channel nut and unscrew the coupling nut half way to screw the channel nut.



Lit BAFL Installation

Acoustical Baffle

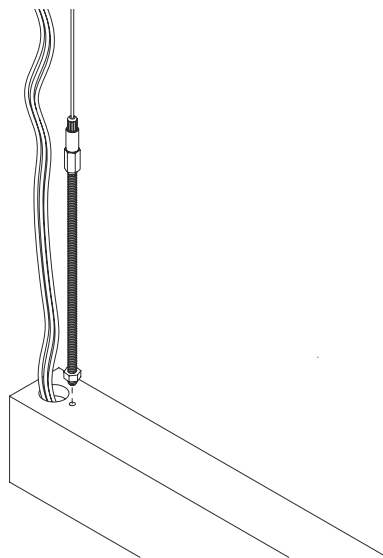
5. Press and hold the channel nut tip to insert the aircraft cable.



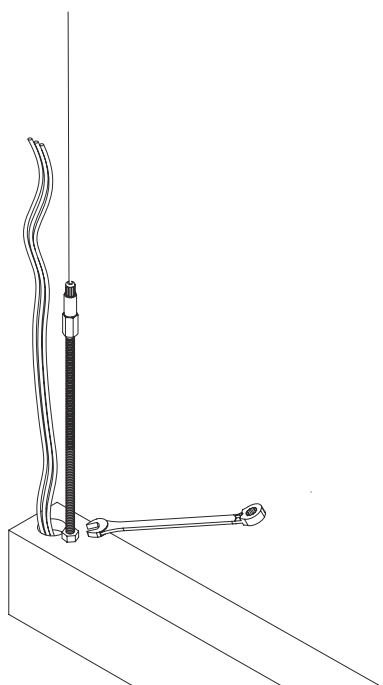
Lit BAFL Installation

Acoustical Baffle

6. Lay down the light fixture showing the lens facing ground. (Use flat and soft surface) Insert the threaded rod on the hole located on the fixture



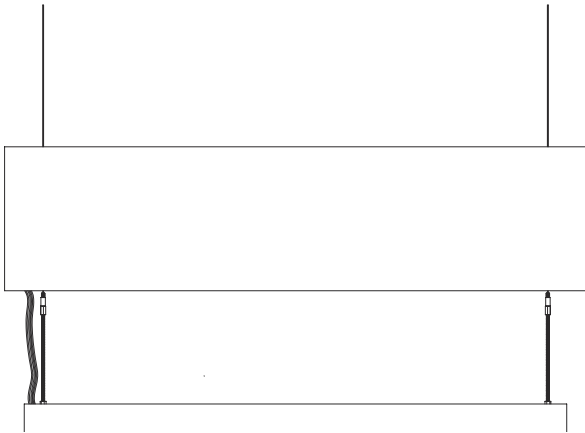
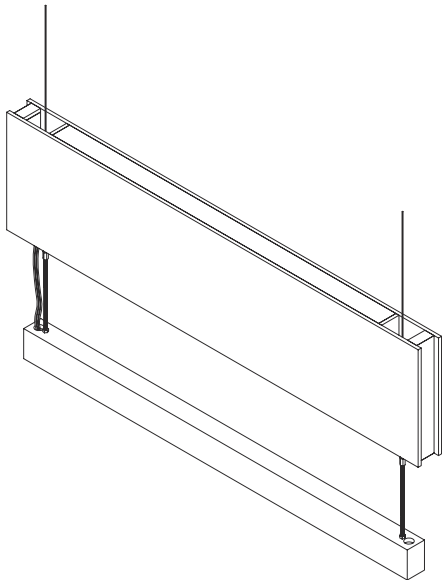
7. Use wrench to tighten the nut on the light. Do the same thing on both sides.



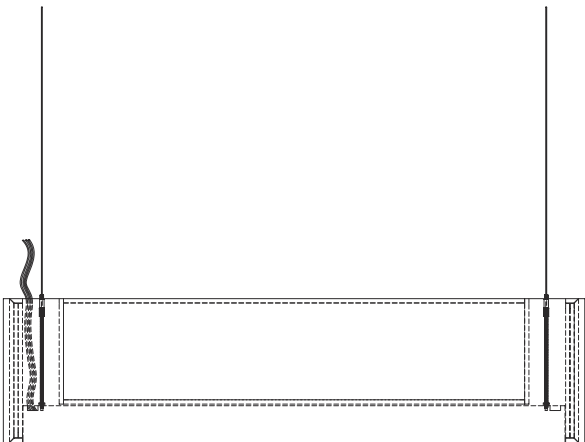
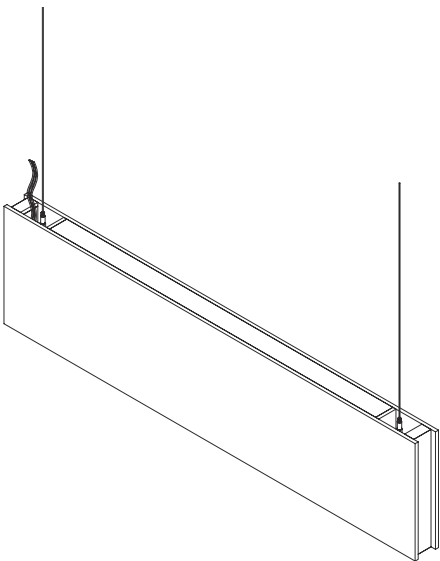
Lit BAFL Installation

Acoustical Baffle

8. Insert the lit baffle from the top. Take out the cable and threaded rod through the hollow section of the baffle.



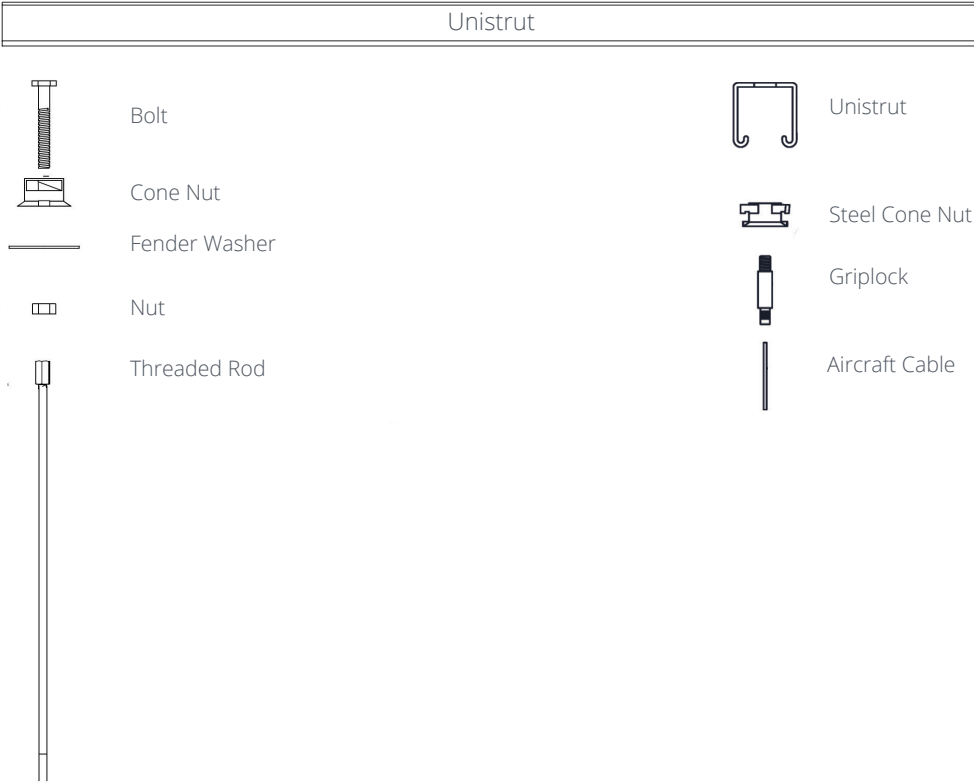
9. Complete assembly



Lit BAFL Installation

Acoustical Baffle

10. Install Threaded Rod or Aircraft Cable from Unistrut



11. Final view.

