

CLOUD Installation

Acoustical Cloud

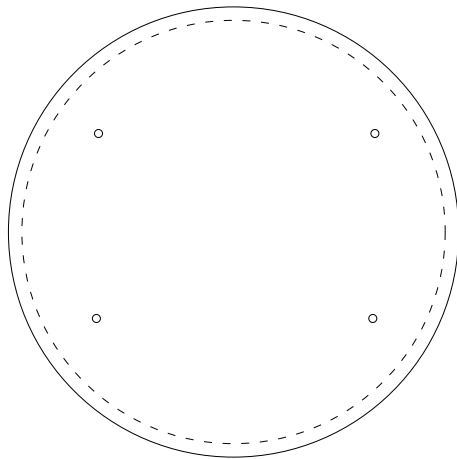
These installation suggestions consist of a common process for baffle installation. Installers should rely upon their own professional experience and understanding of their unique requirements to ensure a successful install.

Tools Needed

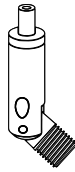


Cable Cutter

Items Included



Cloud



Jointed Gripper

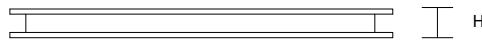
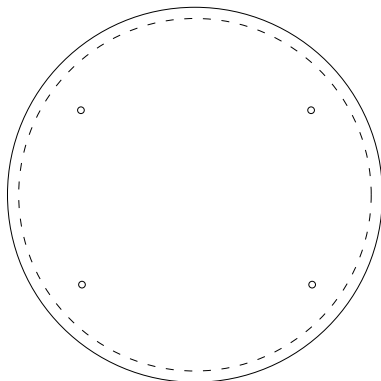


Sputnik Assembly



Aircraft Cable

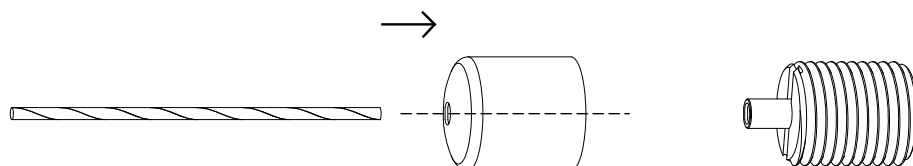
-
1. Unwrap Cloud from plastic wrap. Confirm cloud dimensions match your needs.



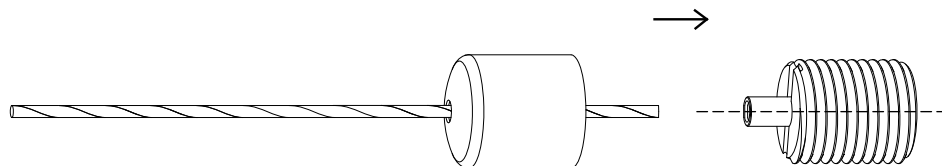
CLOUD Installation

Acoustical Cloud

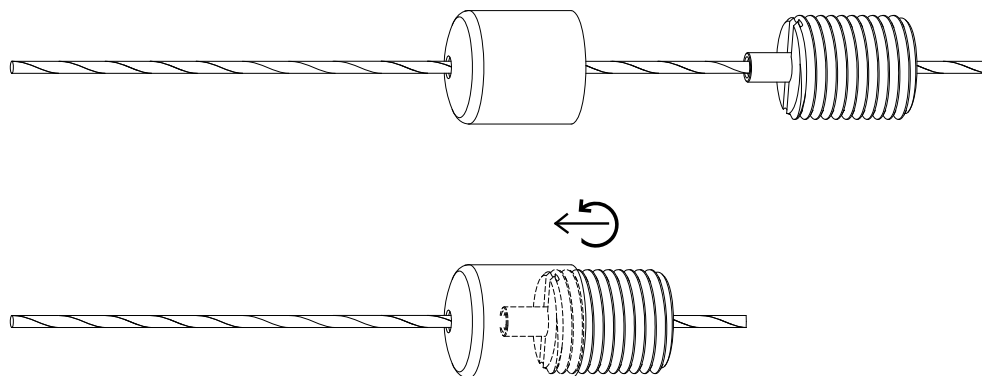
2. Insert the aircraft cable into the sputnik head.



3. Insert the aircraft cable into the threaded head.



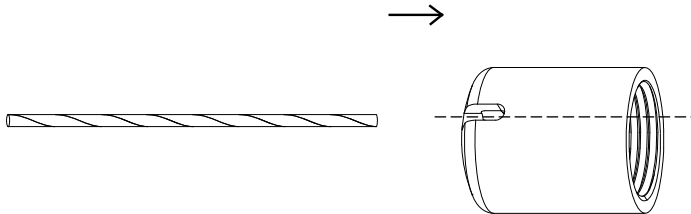
4. Screw it to the sputnik head.



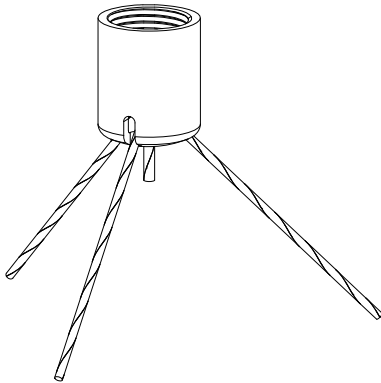
CLOUD Installation

Acoustical Cloud

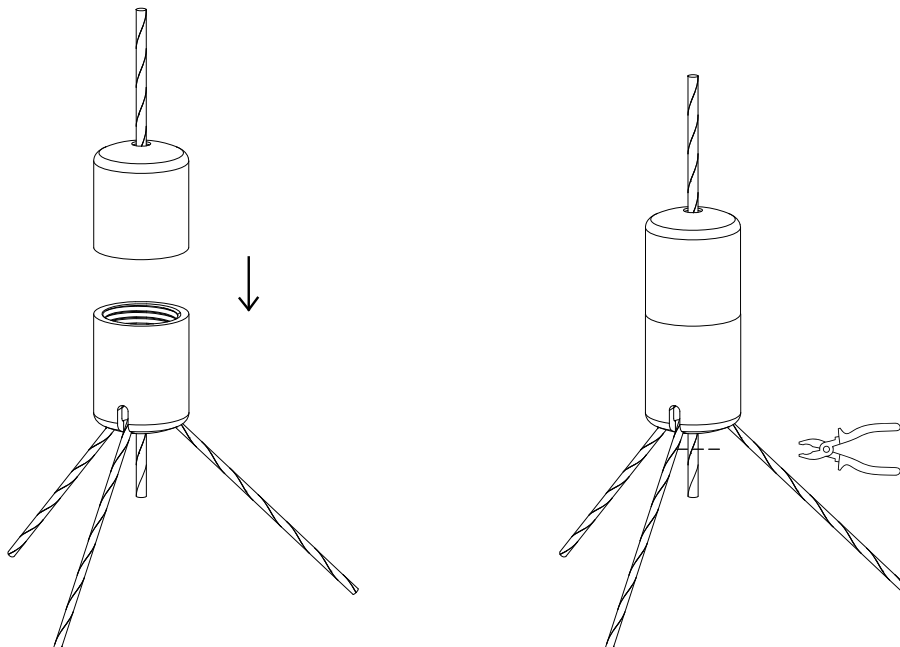
5. Insert aircraft cables to the bottom exit.



6. Use 3 aircraft cables to attach on the bottom exit.



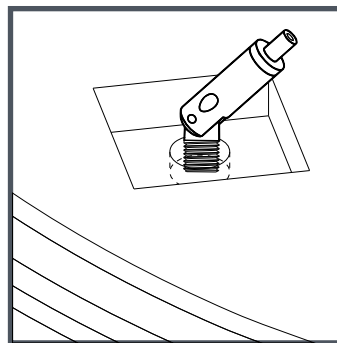
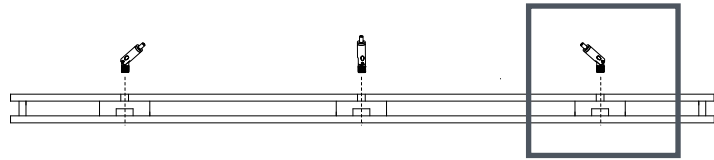
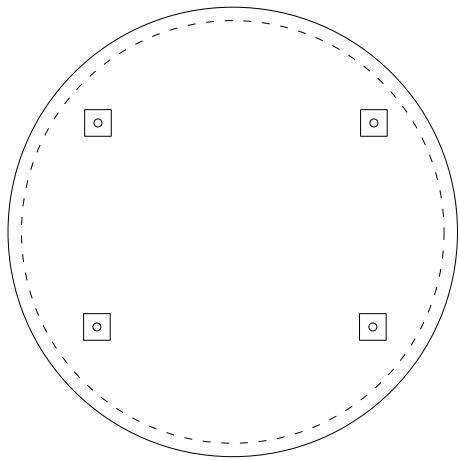
7. Screw it back to the sputnik head and cut excess wire



CLOUD Installation

Acoustical Cloud

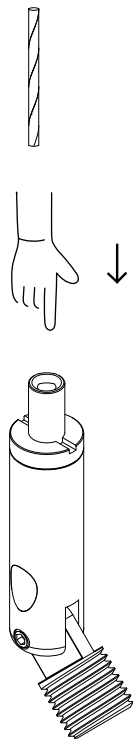
8. Locate the threaded hole to mount the jointed gripper.



NOTE: Use caution when tightening the hinge on jointed gripper.

Ensure the angle of the jointed gripper is aiming towards the center of the cloud - this ensures all the cables will be in the correct direction and avoids breakage.

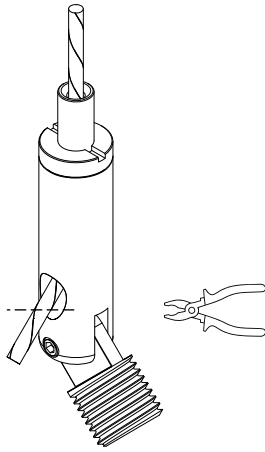
9. Press and hold the spring portion to insert the aircraft cable.



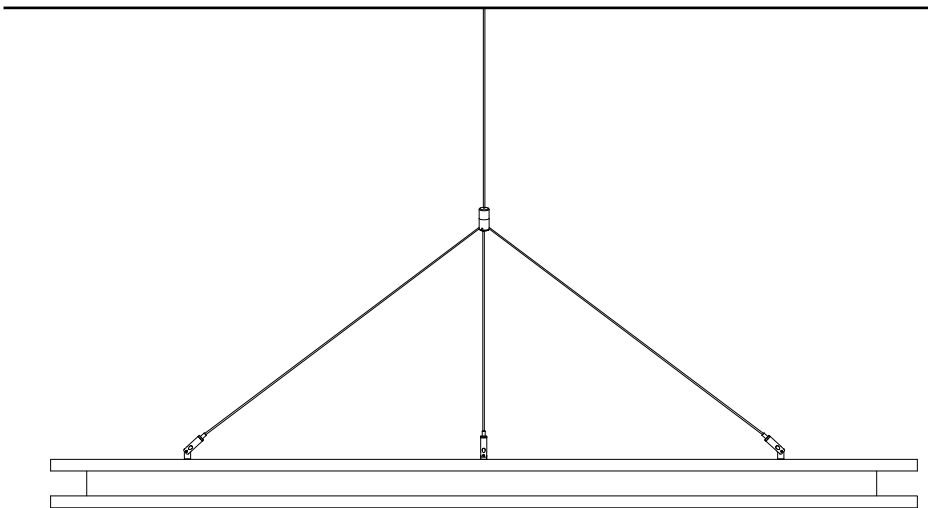
CLOUD Installation

Acoustical Cloud

10. After insert cut out the excess cable.



11. Finished Assembly. Cloud can be hung at different lengths.



CLOUD Installation

Acoustical Cloud

