

## BAFL Installation - Drywall /Concrete Ceiling Classic, Plus, Blade

### Acoustical Baffle

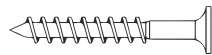
These installation suggestions consist of a common process for baffle installation. Installers should rely upon their own professional experience and understanding of their unique requirements to ensure a successful install.

Confirm your unistrut installation has been completed. Consult with a professional about a proper unistrut installation for your ceiling type (concrete vs. sheetrock).

#### Tools Needed



Drill



Screws



Cable Cutter

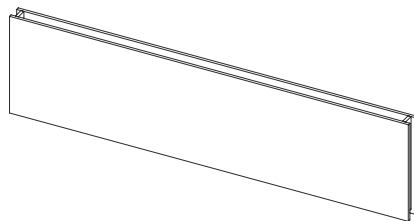
#### Optional



1/16" Aircraft Cable  
Additional length required, if any,  
will be determined by site needs

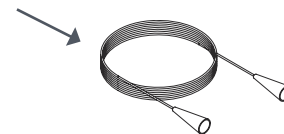
Concrete Anchor Bolts  
for concrete ceiling installs

#### Items Included



Baffle

MUST SPECIFY DRYWALL  
INSTALL AT ORDER

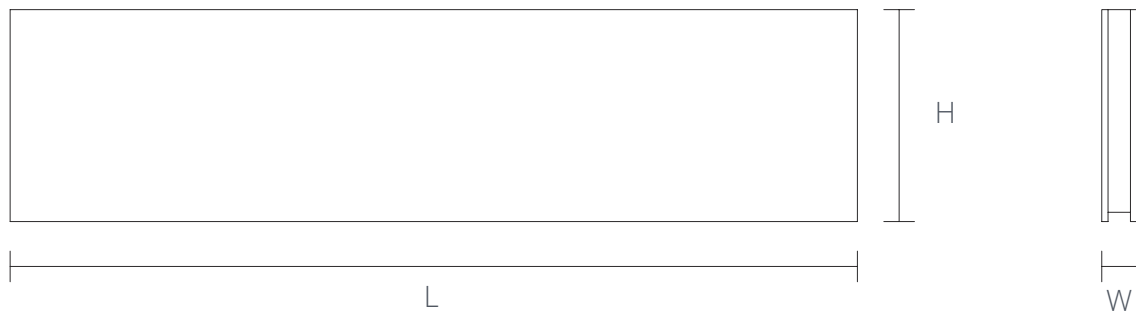


(2) 1/16" Aircraft Cable with Cone  
Additional length required, if any, will be  
determined by site needs

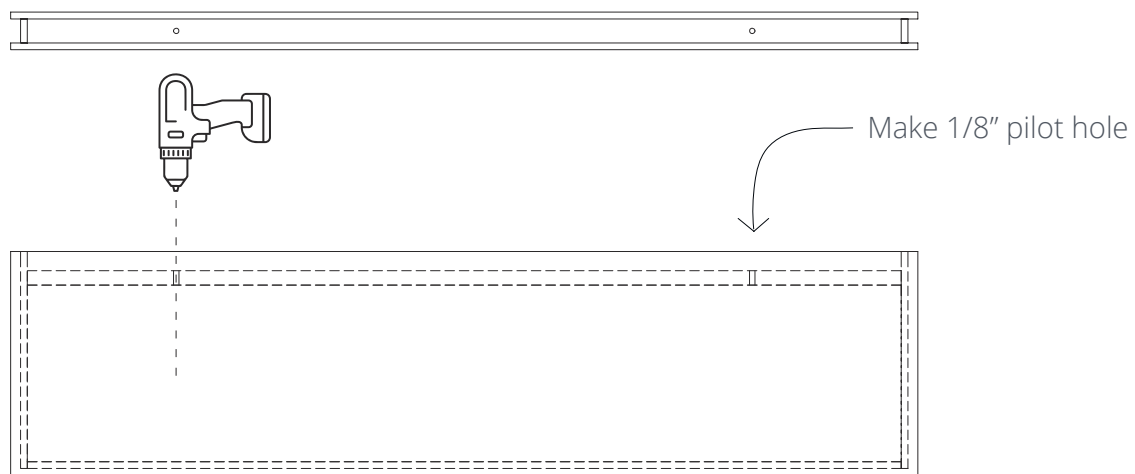
## BAFL Installation - Drywall /Concrete Ceiling Classic, Plus, Blade

### Acoustical Baffle

1. Unwrap Baffle from plastic Wrap. Confirm baffle dimensions match your needs.



2. Measure the distance between the two points on ceiling that will be holding the baffle. Match your hole location distance on the wood and mark it. Use a drill machine to make a 1/8" pilot hole for screws.

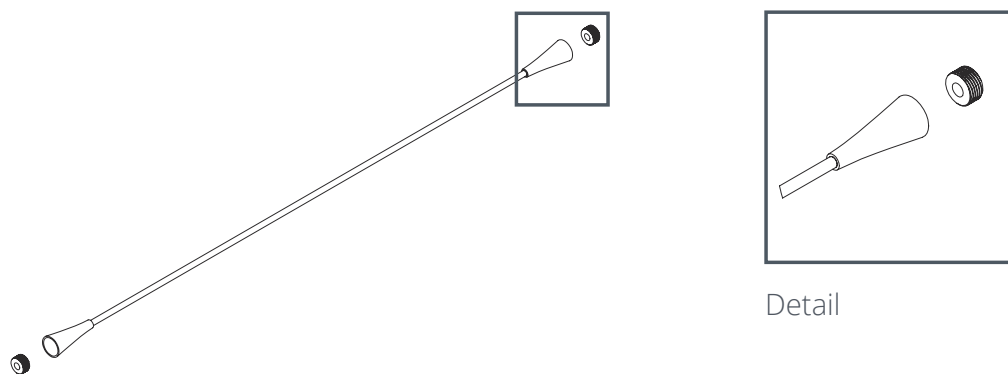


## BAFL Installation - Drywall /Concrete Ceiling Classic, Plus, Blade

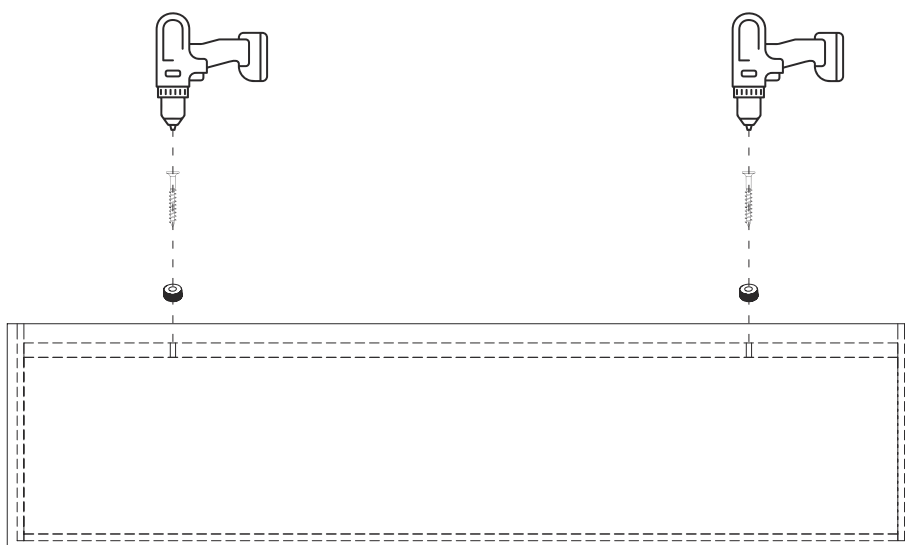
### Acoustical Baffle

---

3. Take out the screw nut from both side of the aircraft cable cone.



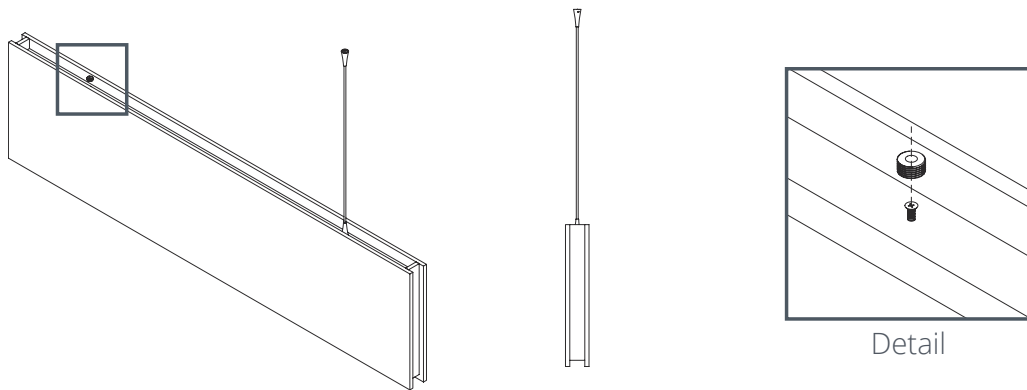
4. Place the screw nut on the pilot hole and use the driver to drive the drywall screw through the screw nut on the wood.



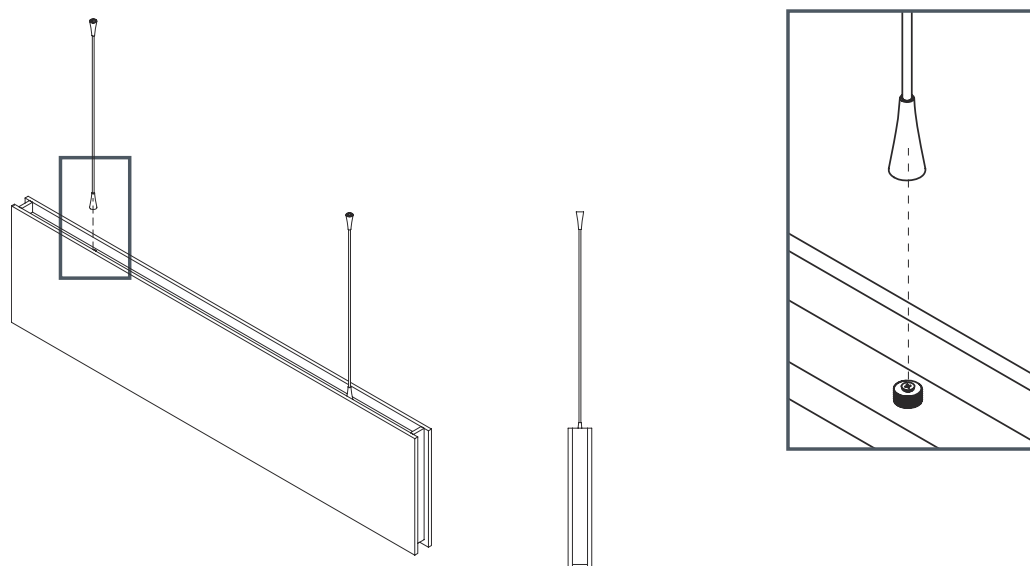
## BAFL Installation - Drywall /Concrete Ceiling Classic, Plus, Blade

### Acoustical Baffle

5.. Drive the screw all the way so that it will flush with the screw nut.



6.. Screw the cone to the screw nut.

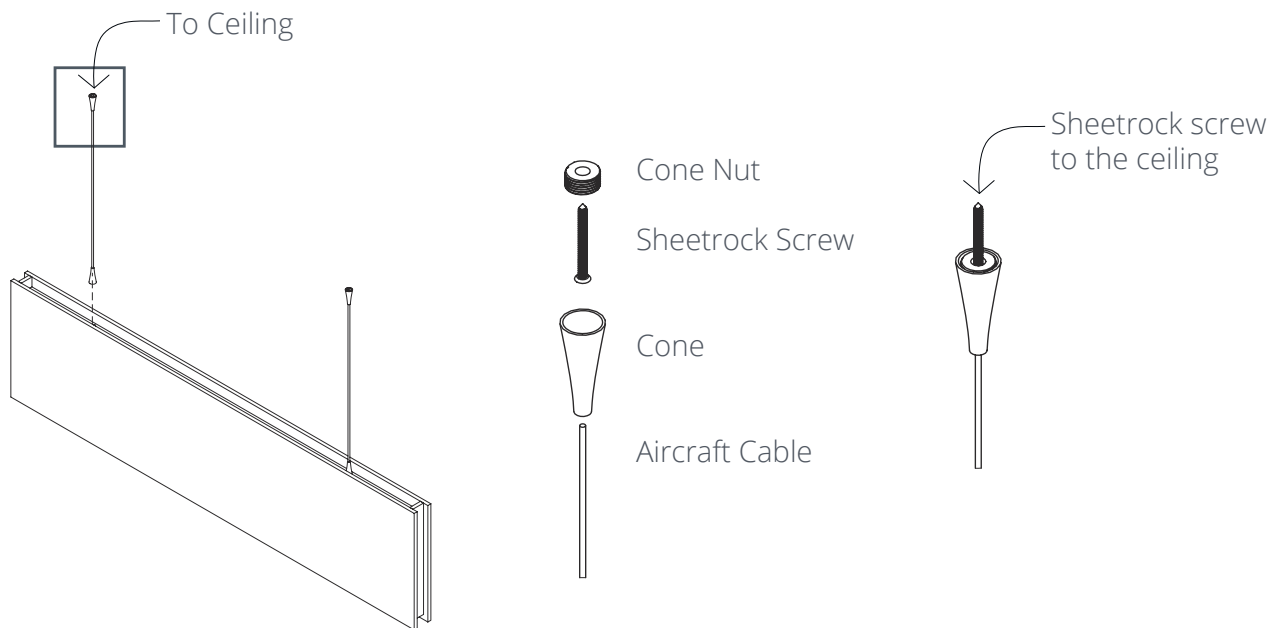


## BAFL Installation - Drywall /Concrete Ceiling Classic, Plus, Blade

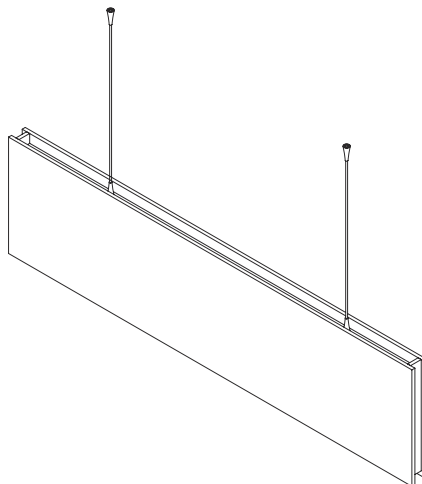
### Acoustical Baffle

7. Drill and insert anchor bolt or sheet rock screw on the ceiling (need proper guidance from installer or architect before install) Disclaimer: Concrete Anchor Bolt not included.

Follow step 4-6 to attach the other side of the cone to hang the baffle.



8. Finish the installation.



## BAFL Installation - Classic, Plus, Blade

### Acoustical Baffle

These installation suggestions consist of a common process for baffle installation. Installers should rely upon their own professional experience and understanding of their unique requirements to ensure a successful install.

Confirm your Unistrut installation has been completed. Consult with a professional about a proper installation for your ceiling type (concrete vs. sheet-rock).

#### You will need



Cable Cutter

Hardware to secure to ceiling appropriate for your ceiling type.  
(For additional assistance reach out to your Fräsch rep.)

#### Optional

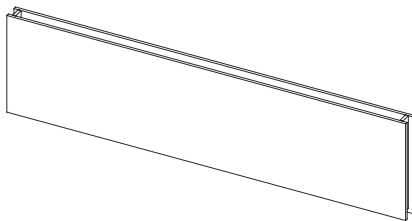


Threaded Rod 1/4-20  
(Hardware accepts threaded rod - not included)

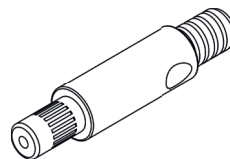


1/16" Aircraft Cable  
(Additional length required, if any, will be determined by site needs)

#### Items Included



Baffle



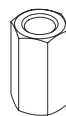
(2) Grip-lock



Hanger Bolt Driver  
(IVY Classic)



Hanger Bolt



(2) Coupler Nut

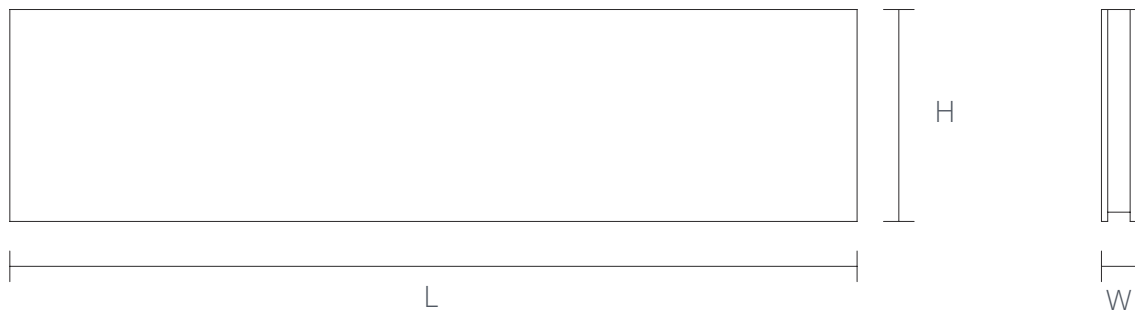


1/16" Aircraft Cable  
(3' per BAFL included)

## BAFL Installation - Classic, Plus, Blade

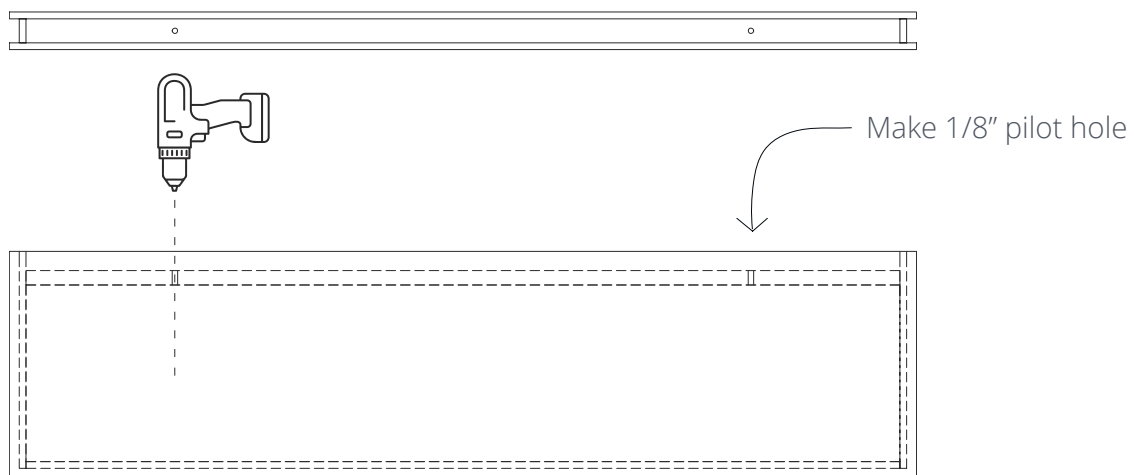
### Acoustical Baffle

1. Unwrap Baffle from plastic Wrap. Confirm baffle dimensions match your needs.



If your baffle is pre-drilled with hanger bolts inserted, go to step 4.

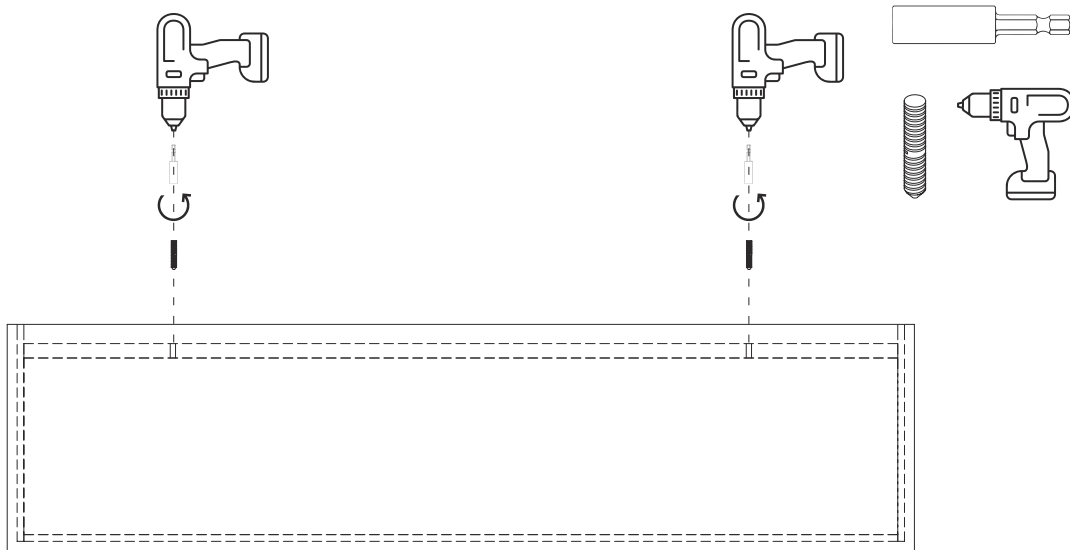
2. If your baffles came without pre-drilled hanger bolts, follow this step:  
Measure the distance between the two Unistruts that will be holding the baffle. Match your hole location distance to the distance of the Unistruts. Use a drill machine to make a 1/8" pilot hole for hanger bolts.



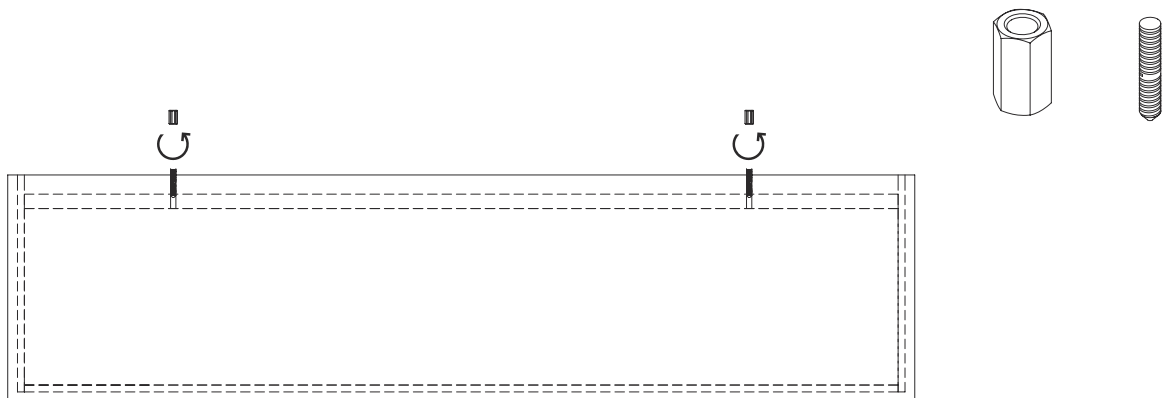
## BAFL Installation - Classic, Plus, Blade

Acoustical Baffle

3. Use 1/4" - 20 hanger bolt driver tool to drive bolt into place, leaving 3/2" of the 1/4" - 20 threads exposed.



4. Screw the coupling nut all the way on to the hanger bolt.

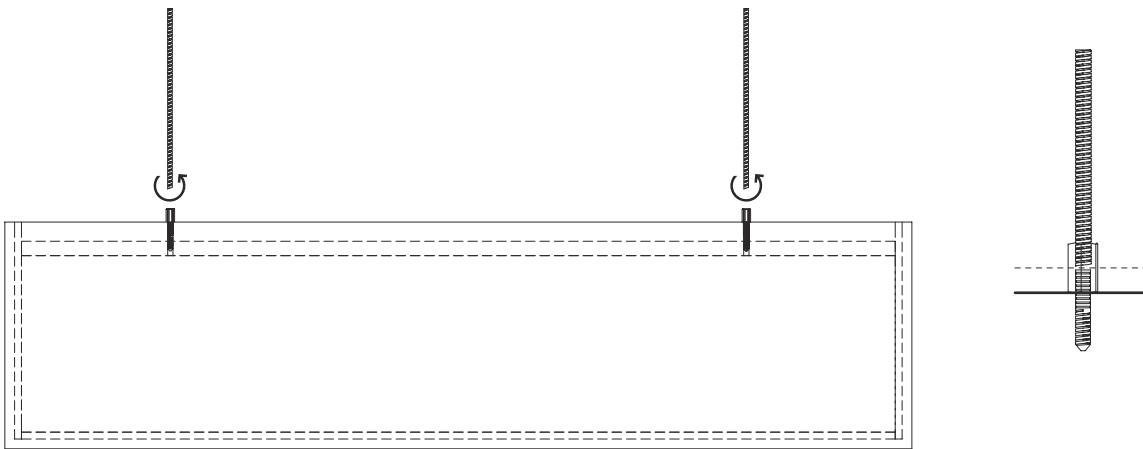




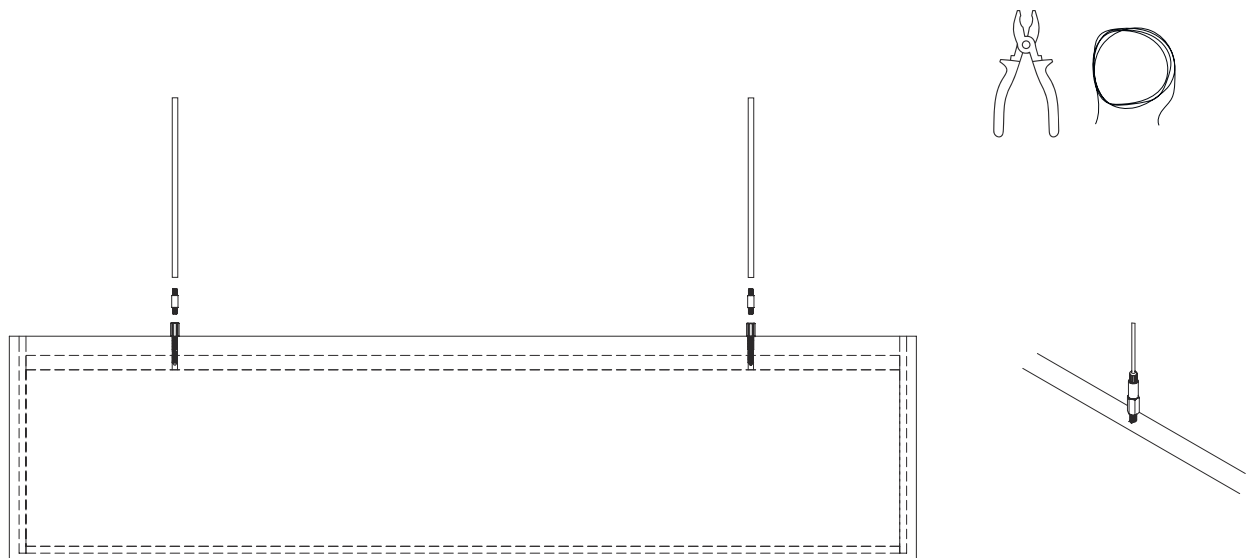
## BAFL Installation - Classic, Plus, Blade

### Acoustical Baffle

- 5a. Threaded Rod (not included) Specific Step ONLY.  
Cut 1/4" threaded rod at desired length and screw in half way into the coupler nut.



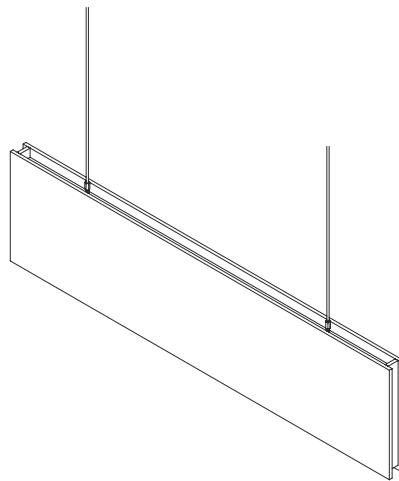
- 5b. Aircraft Cable Specific Step ONLY.  
Cut the excess cable using cable cutter.



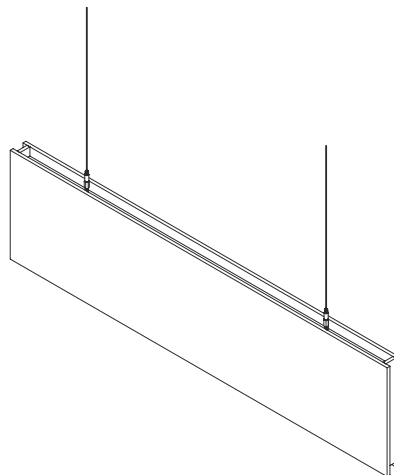
## BAFL Installation - Classic, Plus, Blade

Acoustical Baffle

### 6.. Final View



Threaded Rod



Aircraft Cable

## BAFL Installation - Unistrut Installation Classic, Plus, Blade

### Acoustical Baffle

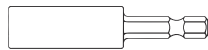
These installation suggestions consist of a common process for baffle installation. Installers should rely upon their own professional experience and understanding of their unique requirements to ensure a successful install.

Confirm your unistrut installation has been completed. Consult with a professional about a proper unistrut installation for your ceiling type (concrete vs. sheetrock).

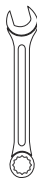
#### Tools Needed



Drill



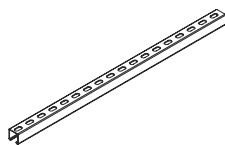
Hanger Bolt Driver  
(IVY classic)



Wrench



Cable Cutter



Unistrut Installed

#### Optional

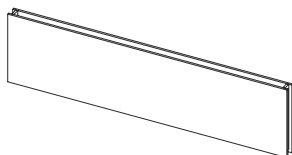


1/16" Aircraft Cable  
Additional length required, if any, will be determined by site needs

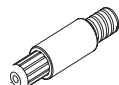
Threaded Rod 1/4-20  
Additional length over 18" per baffle if needed



#### Items Included - Threaded Rod Installation



Baffle



(4) Channel Nut



(2) Nylon Cone Nut



(4) Coupling Nut



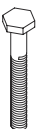
(2) 18" Threaded Rod



(2) Fender Washer

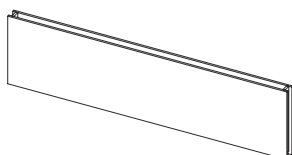


(2) 1/4" Nut



(2) 1/4-20 Bolt

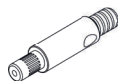
#### Items Included - Aircraft Cable Installation Hardware (default option if installation type not specified)



Baffle



(2) Nylon Cone Nut



(4) Grip Lock



(2) Hanger Bolt



1/16" Aircraft Cable  
(1/16" Aircraft Cable  
3' per baffle included)

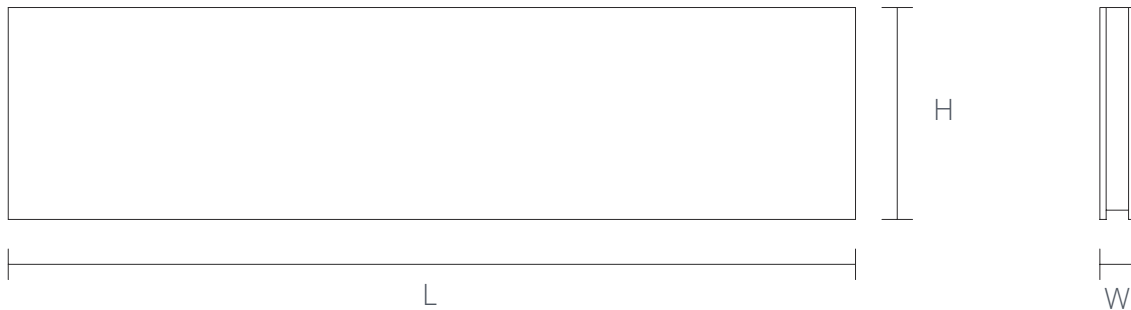


(2) Coupling Nut

## BAFL Installation - Unistrut Installation Classic, Plus, Blade

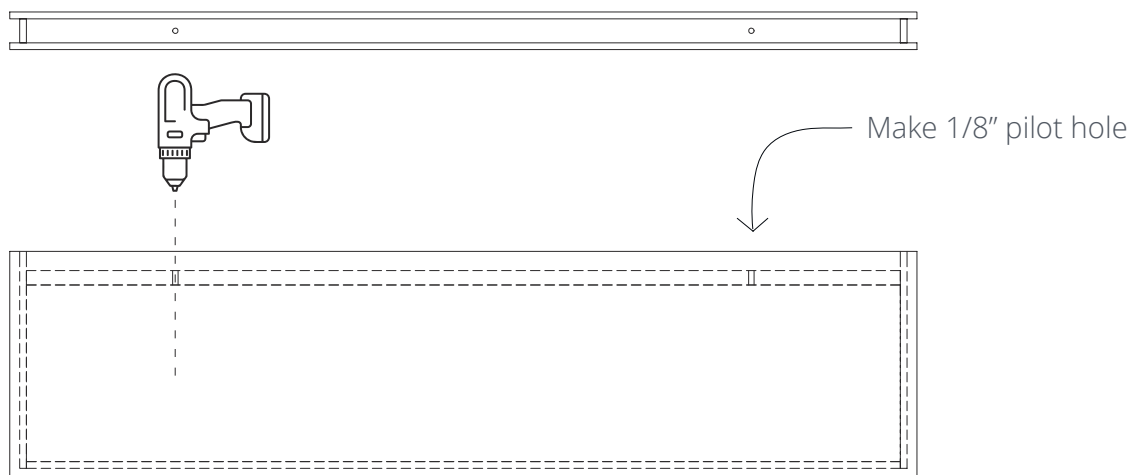
### Acoustical Baffle

1. Unwrap Baffle from plastic Wrap. Confirm baffle dimensions match your needs.



If your baffle is pre-drilled with hanger bolts inserted, go to step 4.

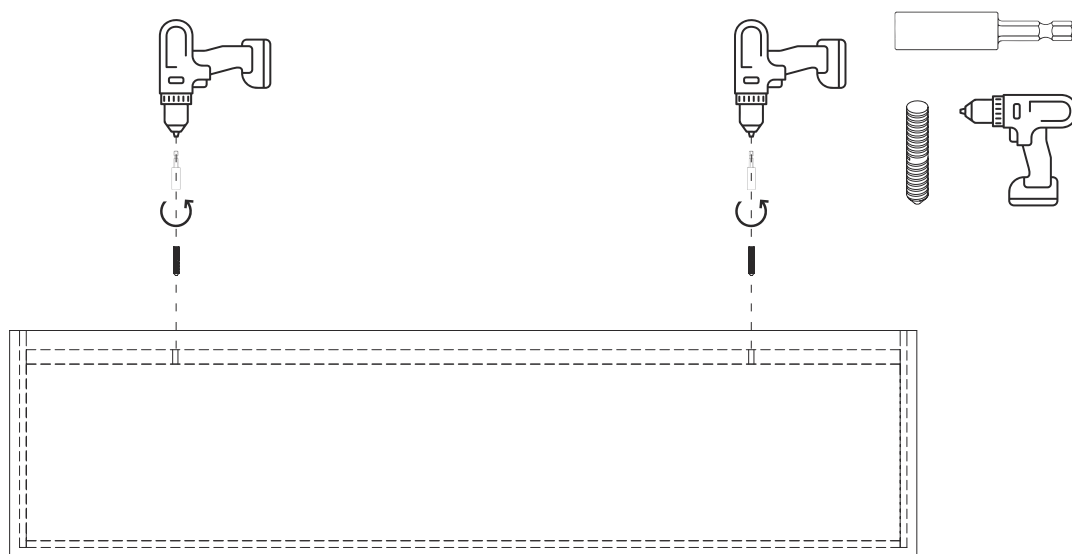
2. If your baffles came without pre-drilled hanger bolts, follow this step:  
Measure the distance between the two unistruts that will be holding the baffle. Match your hole location distance to the distance of the unistruts. Use a drill machine to make a 1/8" pilot hole for hanger bolts.



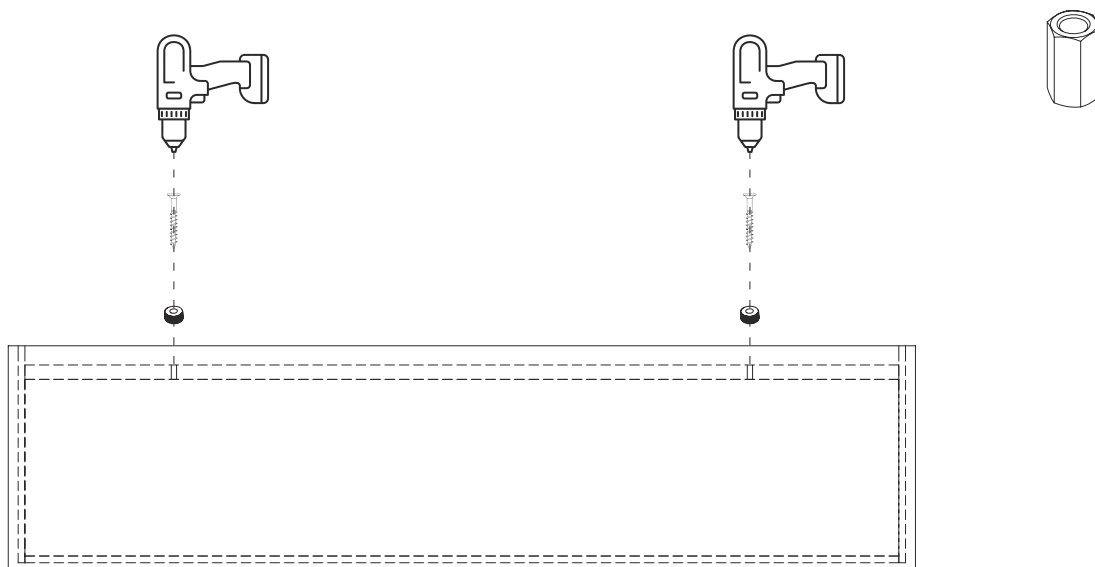
## BAFL Installation - Unistrut Installation Classic, Plus, Blade

### Acoustical Baffle

- Use the given hanger bolt driver tool to drive 1/4" - 20 hanger bolt on the pre-drilled hole leaving 3/4" exposed.



- Screw the coupling nut all the way on to the hanger bolt.

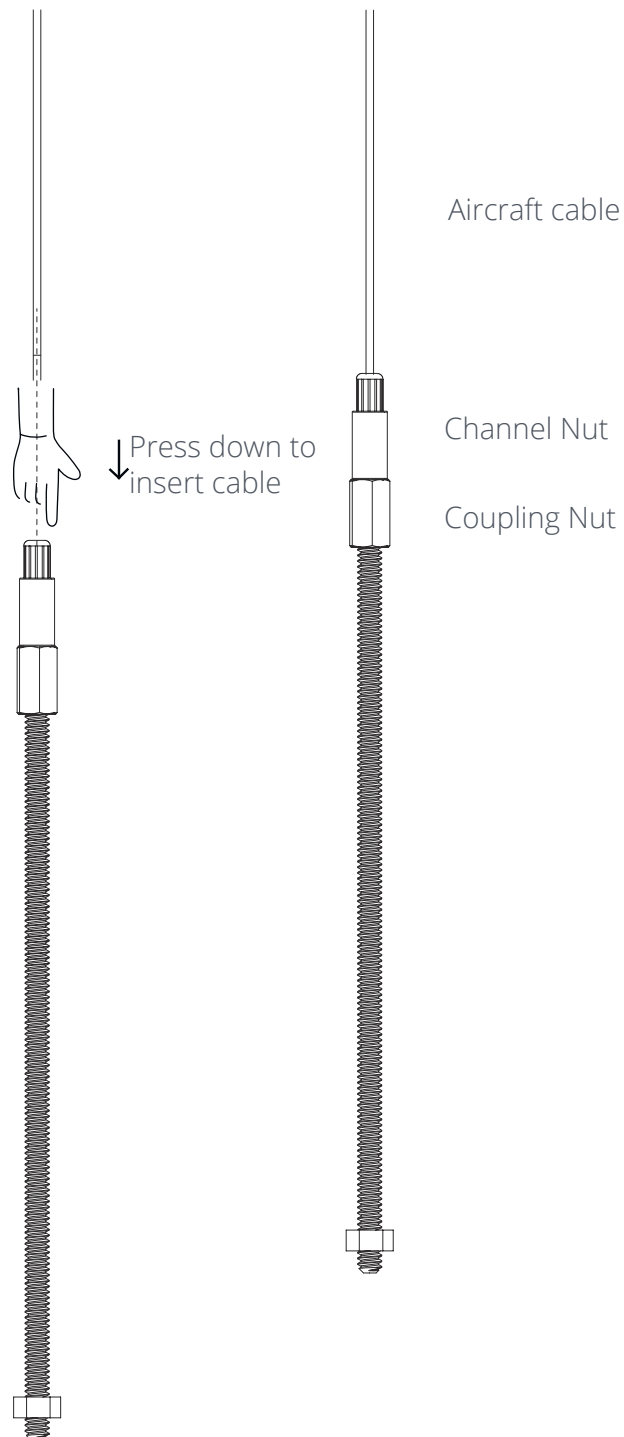


## BAFL Installation - Unistrut Installation Classic, Plus, Blade

### Acoustical Baffle

---

5. Press and hold the channel nut tip to insert the aircraft cable.

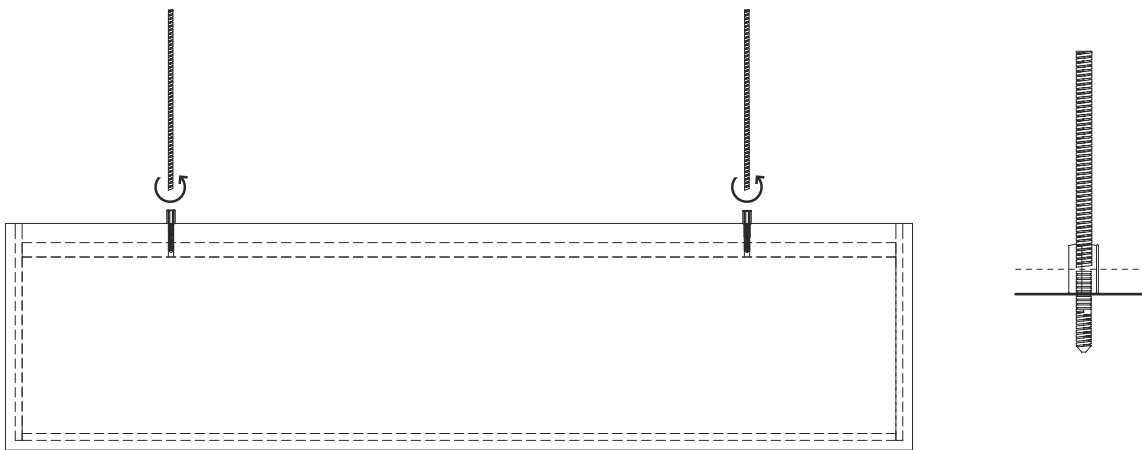


## BAFL Installation - Unistrut Installation Classic, Plus, Blade

### Acoustical Baffle

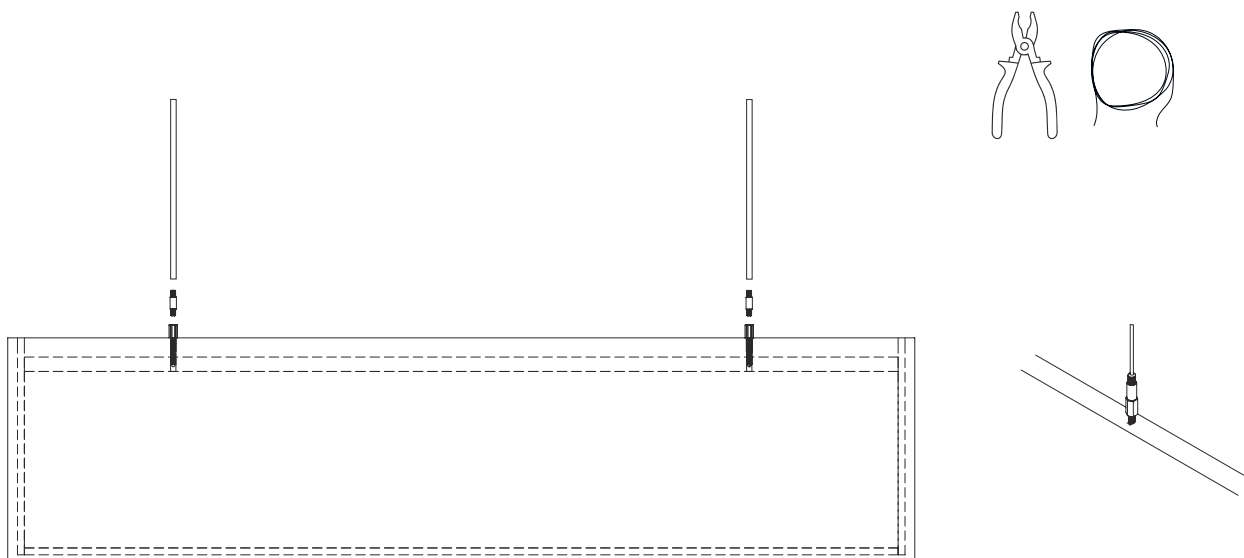
**6a. Threaded Rod Specific Step ONLY**

Cut 1/4" threaded rod at desired length and screw half way into the coupling nut.



**6b.. Aircraft Cable Specific Step ONLY.**

Cut the excess cable using cable cutter.

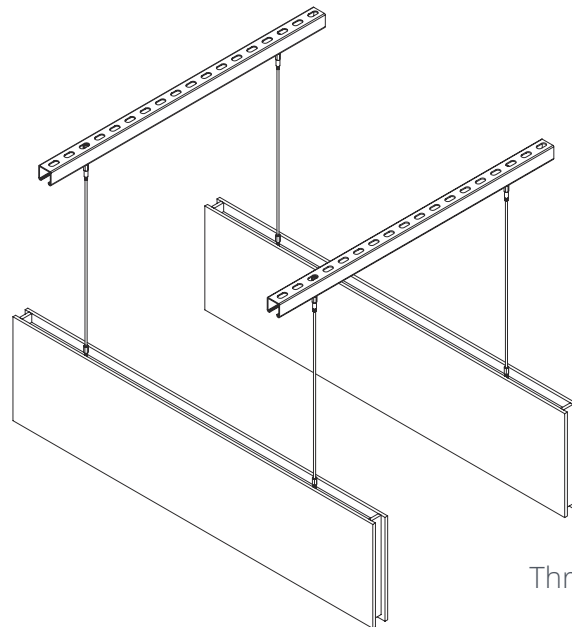


## BAFL Installation - Unistrut Installation Classic, Plus, Blade

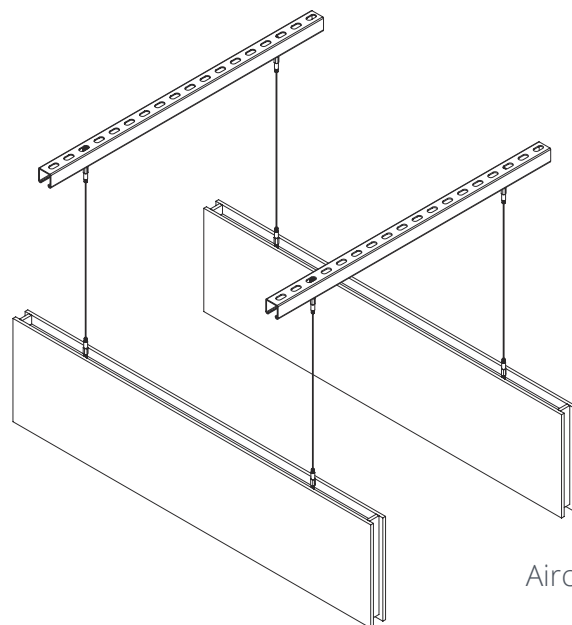
Acoustical Baffle

---

### 7. Final View



Threaded Rod



Aircraft Cable