

NEST Installation

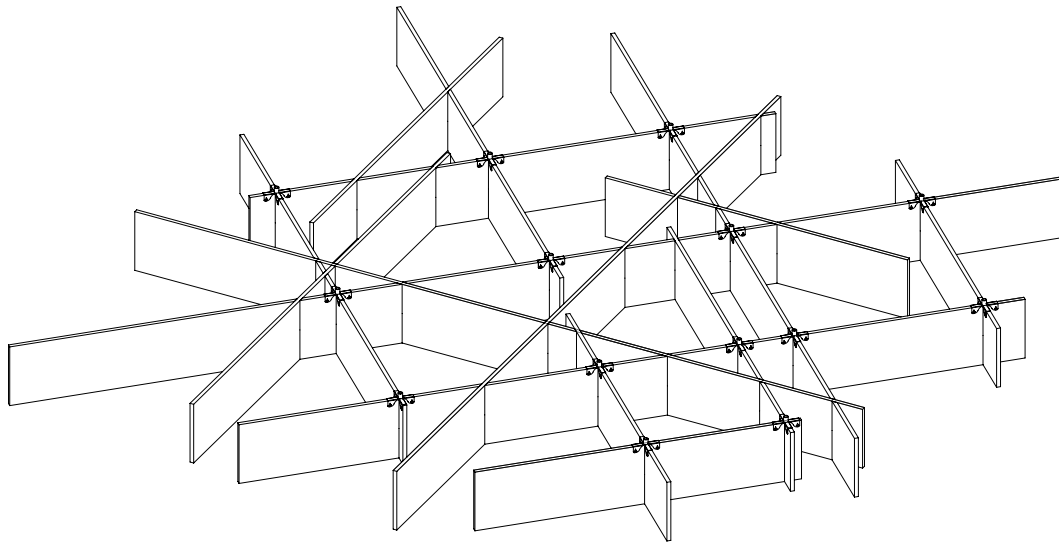
These installation suggestions consist of a common process for NEST installation. Installers should rely upon their own professional experience and understanding of their unique requirements to ensure a successful install.

Tools Needed

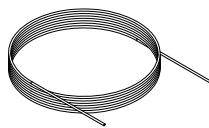


Cable Cutter & Crimper

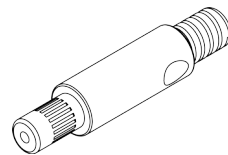
Items Included



Assembled Acoustical NEST



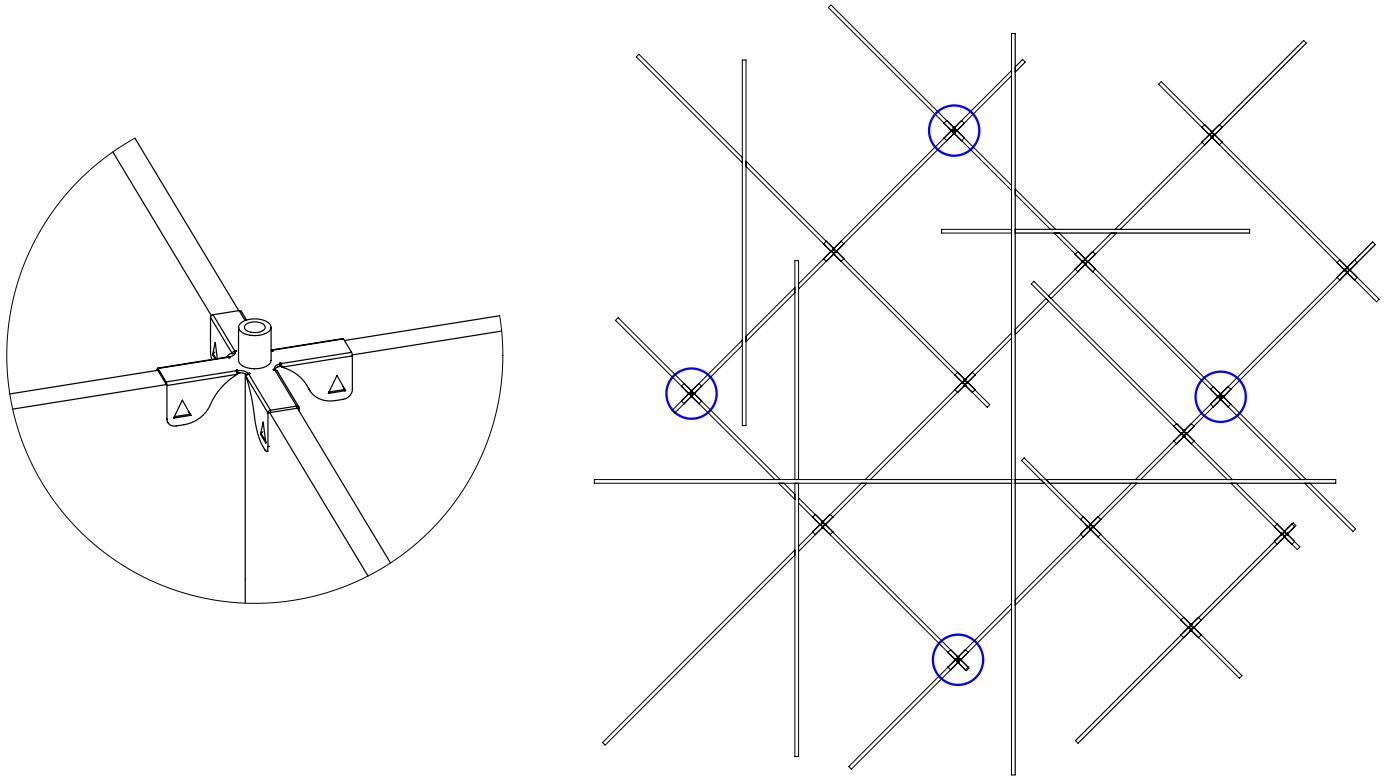
Aircraft Cable



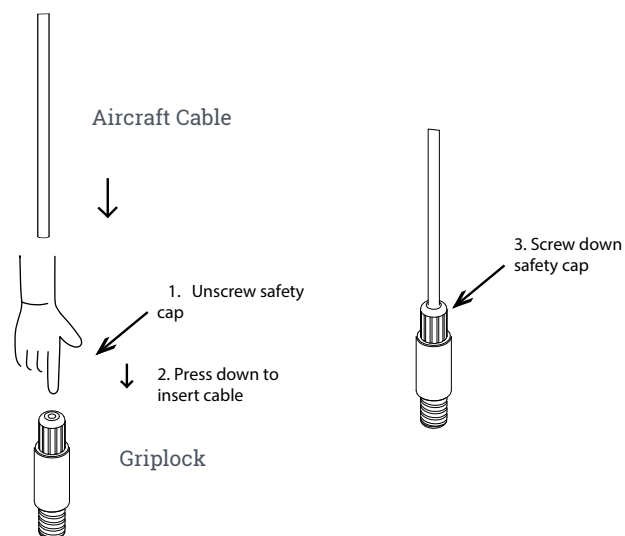
Griplock

*Actual product comes with more bracket attached to it

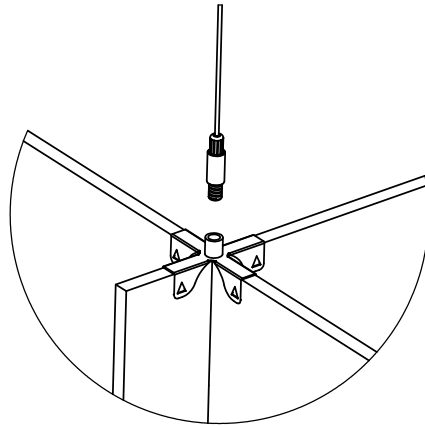
1. The NEST will come pre-assembled with all the strips in place, along with multiple 4-way Brackets with Threads placed on top of the strips. Locate the **four brackets circled below** - these will require further cable installation.



2. Insert the Aircraft Cable into the Griplock. Loosen the head cap of the Griplock to push the Aircraft Cable. It will automatically lock once the cap is released. Screw the cap back.



3. Insert the Griplock into the 4-way Bracket with Threads and do that for the rest of the connections.



4. Finish the installation.

