

WAFL BAFL Installation - Non Lit

Acoustical Box BafI

These installation suggestions consist of a common process for WAFL BAFL installation. Installers should rely upon their own professional experience and understanding of their unique requirements to ensure a successful install.

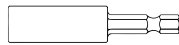
Tools Needed



Drill

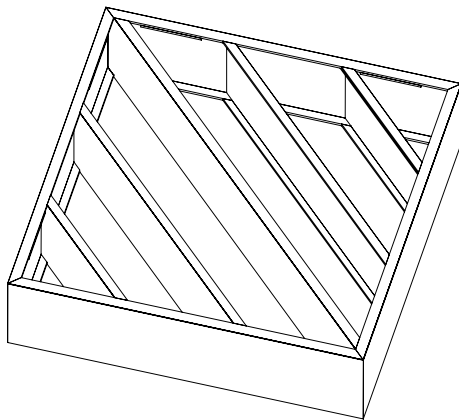


Cable Cutter & Crimper

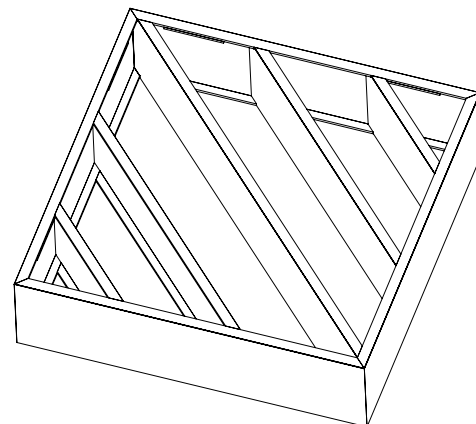


Hanger Bolt Driver
(IVY classic)

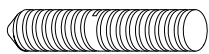
Items Included



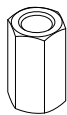
WAFL BAFL Type 1



WAFL BAFL Type 2



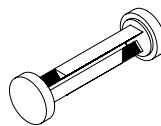
Hanger Bolt



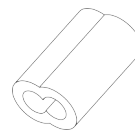
Coupling Nut



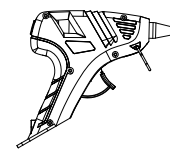
Aircraft Cable



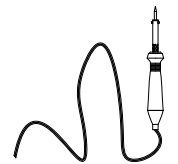
Ratchet Rivets



Cable Ferrule



Glue gun
with Glue sticks

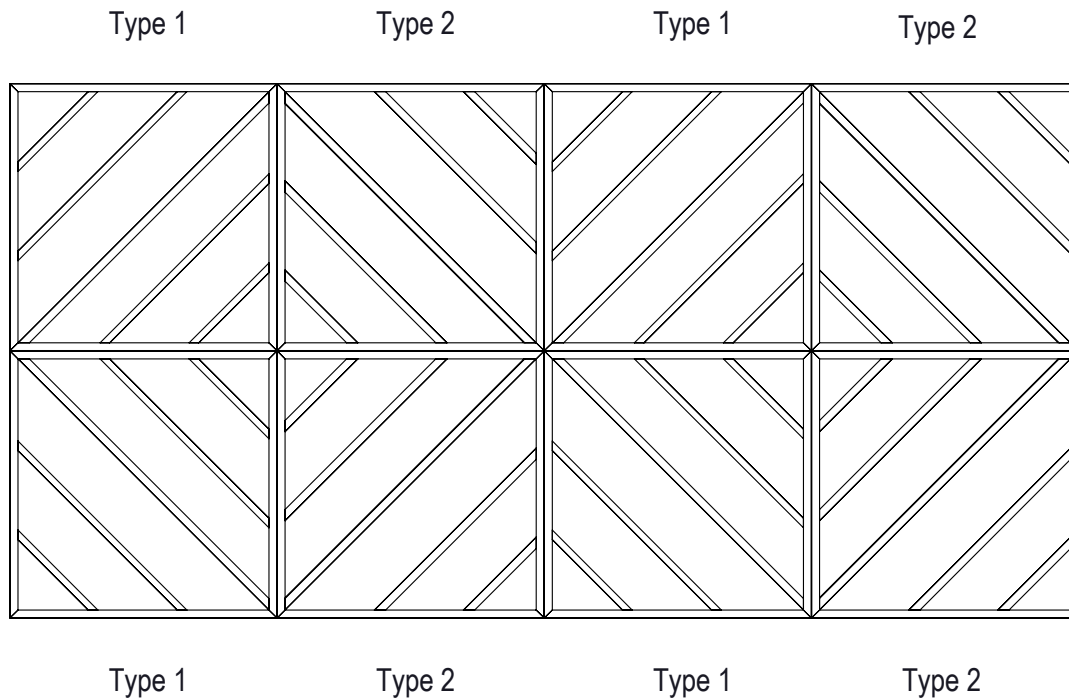


Soldering Iron

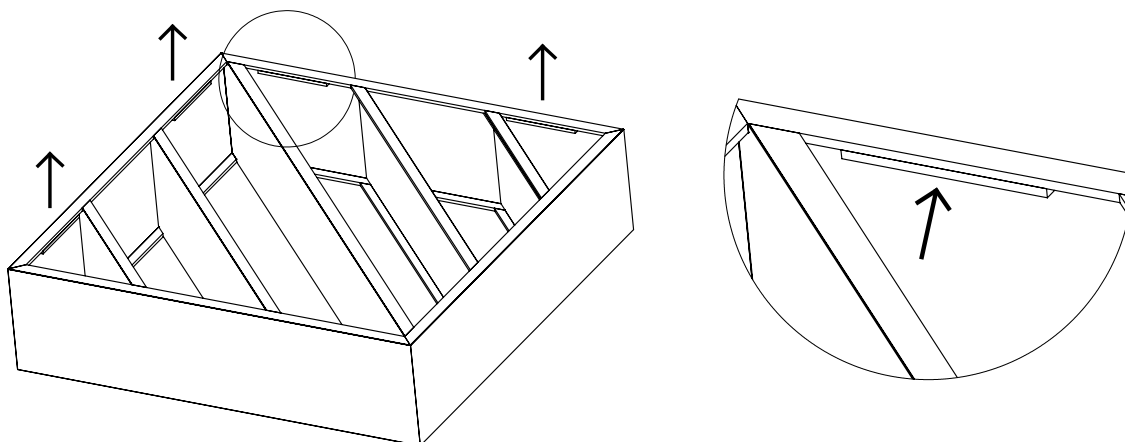
WAFL BAFL Installation - Non Lit

Acoustical Box Baf

1. Check the total quantity of the WAFL BAFL before assembly. Each WAFL BAFL will be labeled as Type 1 or Type 2. Arrange each WAFL BAFL on the floor according to the design.



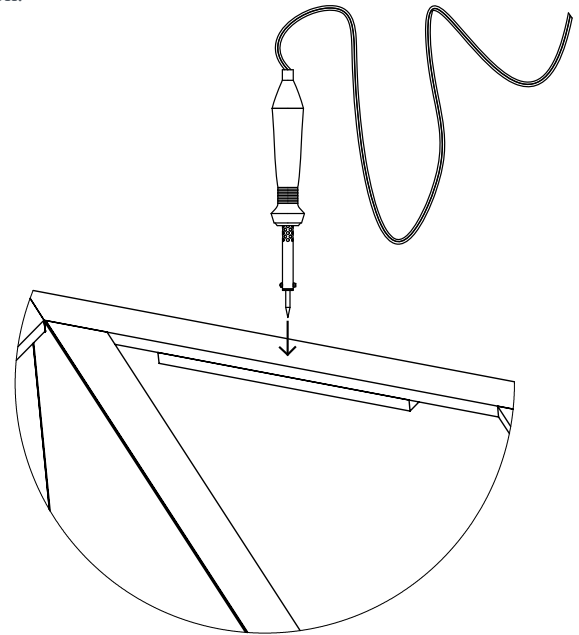
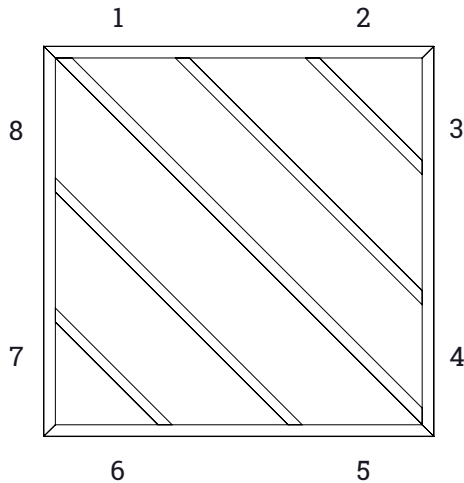
2. Ensure each WAFL BAFL is placed with the double layer strip facing the ceiling. This is needed to install the hardware to hang each WAFL BAFL.



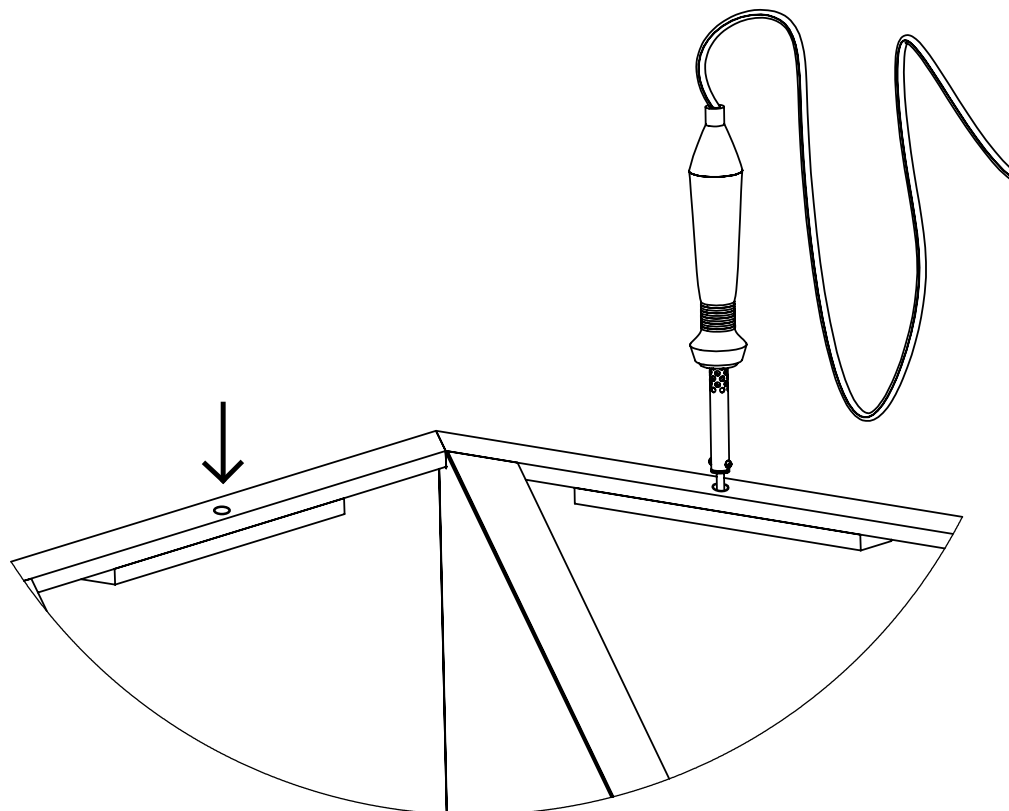
WAFL BAFL Installation - Non Lit

Acoustical Box Baf

3. The double layered strips will be the location to install the hardware. Each WAFL BAFL has 8 locations - 2 on each side. Use the soldering iron to make holes on each double layered strip location.



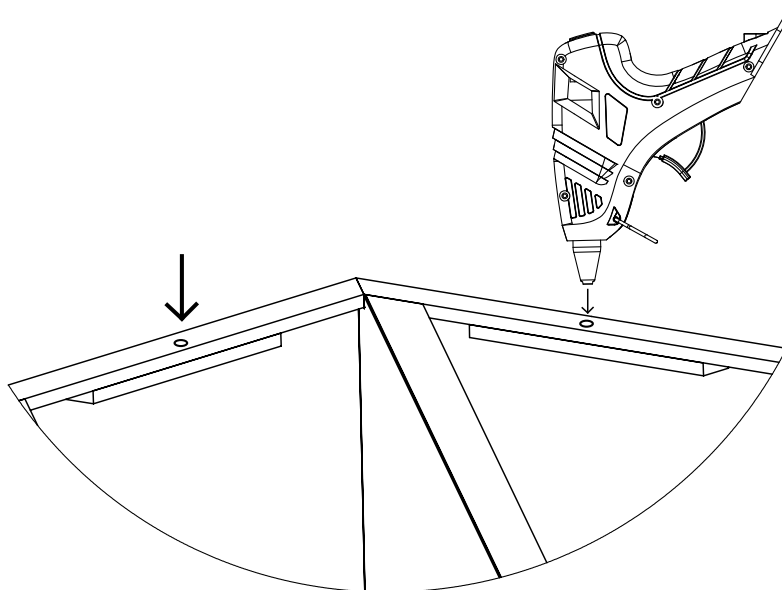
4. Make a hole in the center of each strip location. Ensure the depth of the hole is 18mm-20mm, do NOT pass through all layers of the strips.



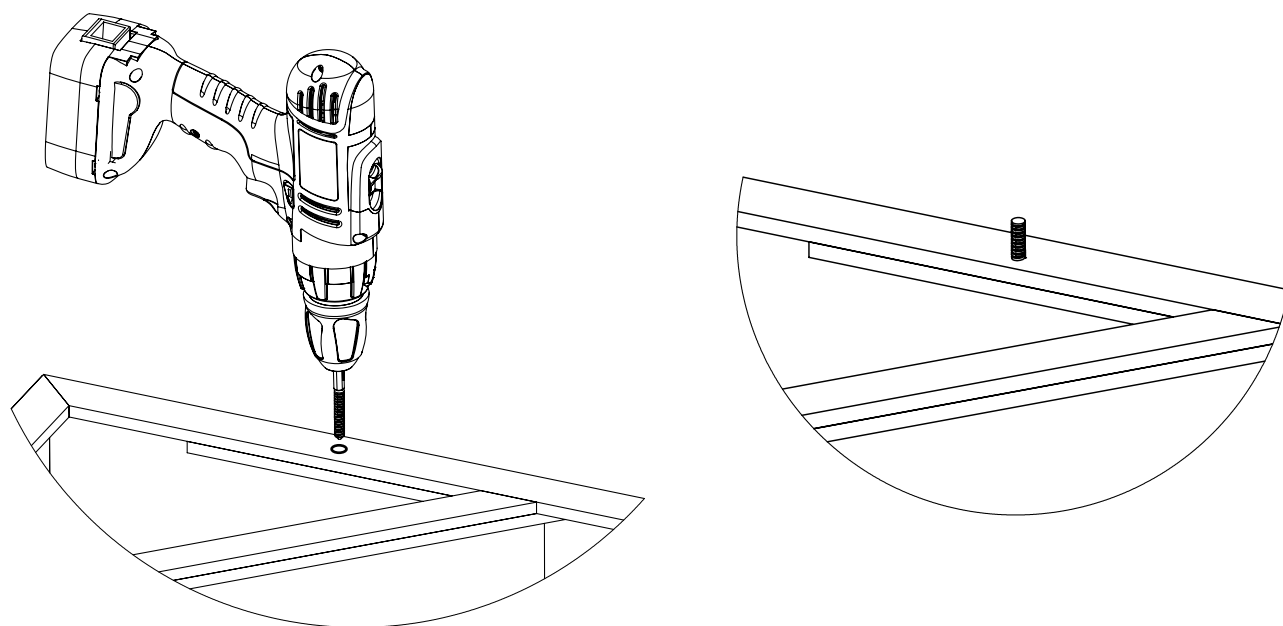
WAFL BAFL Installation - Non Lit

Acoustical Box Baf

5. Fill the hole with glue using the hot glue gun.



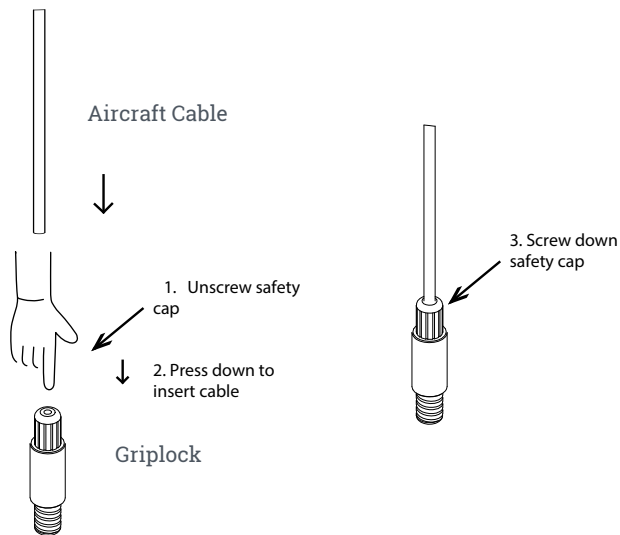
6. Attach the hanger bolt driver on the drill. Insert the hanger bolt on the hanger bolt driver, then drill the hanger bolt through the hole until it reaches half way. Repeat with all 8 locations on the WAFL BAFL.



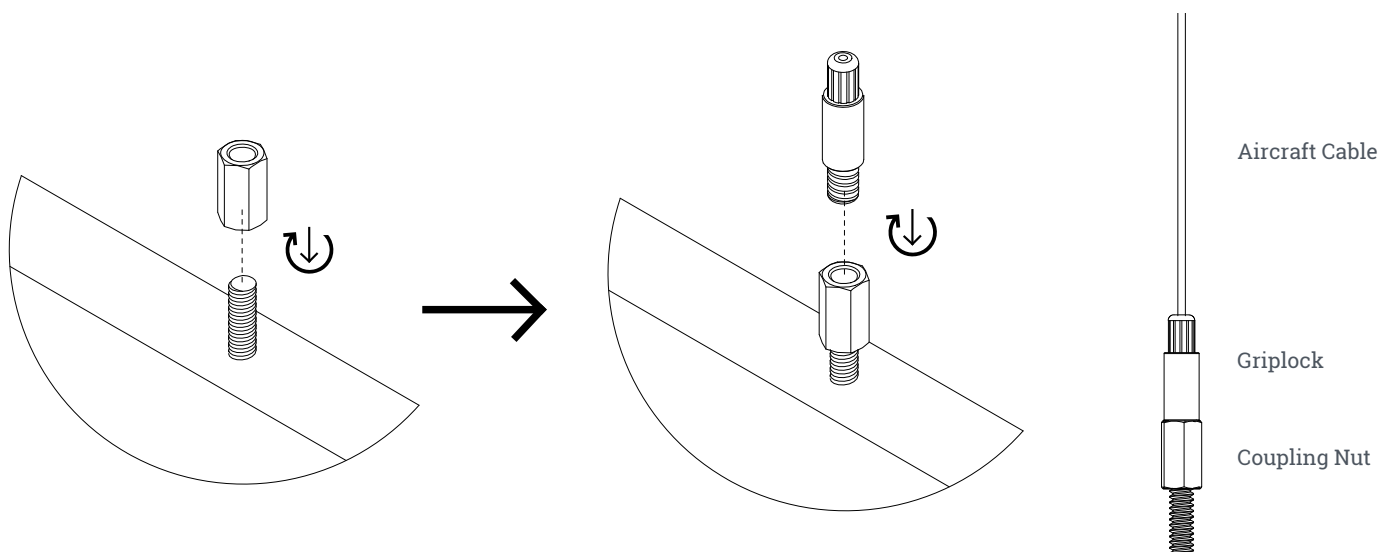
WAFL BAFL Installation - Non Lit

Acoustical Box Baf

7. Insert the aircraft cable through the Cable Ferrule and Griplock. Screw the Griplock head to secure the cable.



8. Insert and screw the Coupling Nut on the Hanger Bolt that has been installed onto the WAFL BAFL. Take the Griplock and Aircraft Cable and insert onto the Coupling Nut, twist to secure.

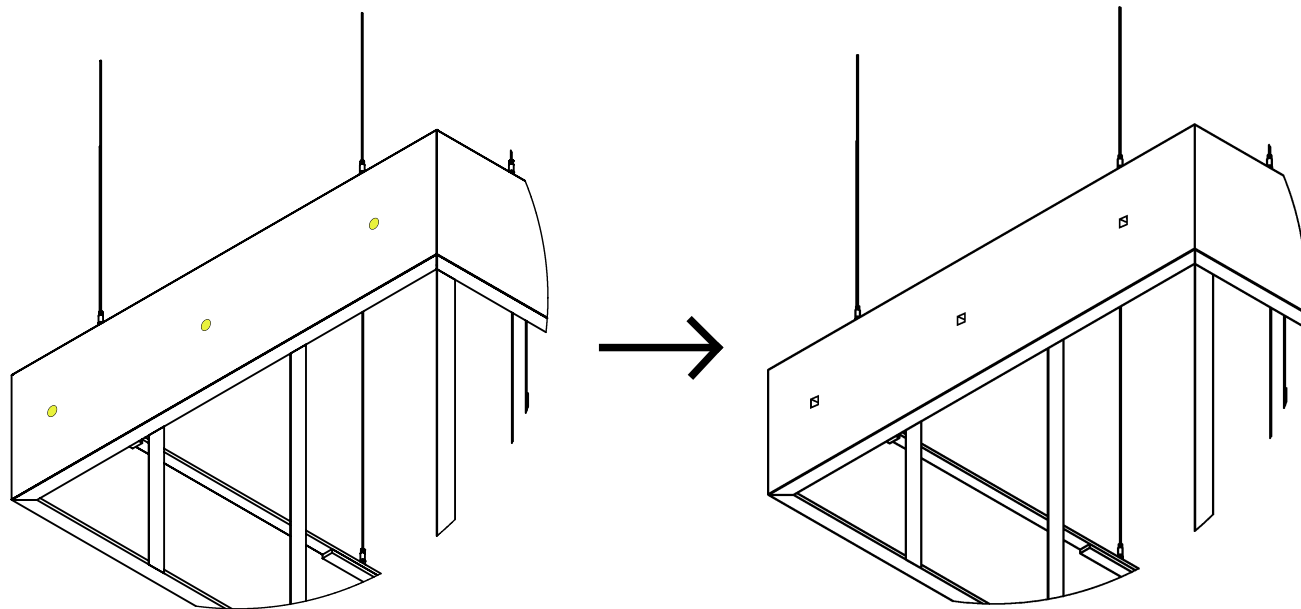


WAFL BAFL Installation - Non Lit

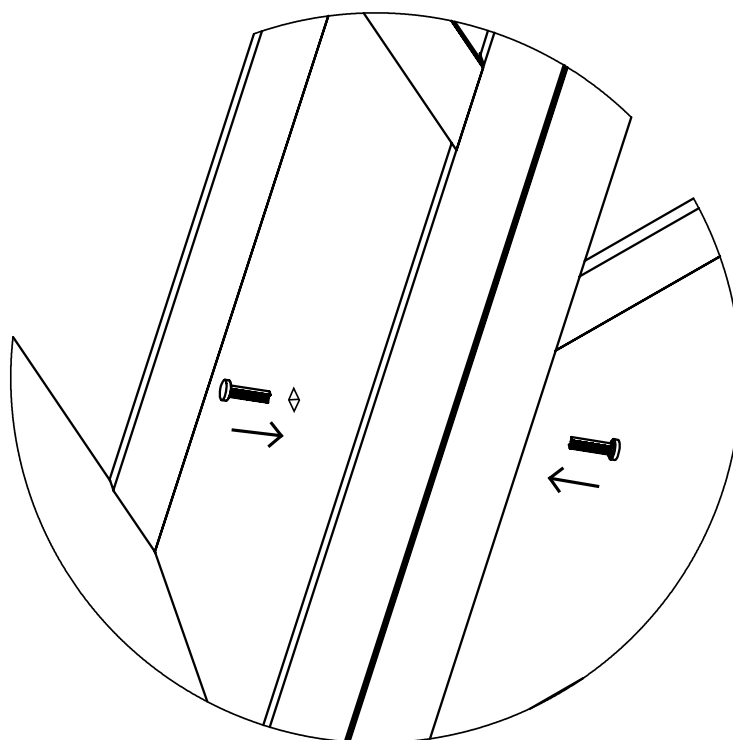
Acoustical Box Baf

9. Once the hardware has been placed, install each WAFL BAFL one at a time to the ceiling. Ensure each WAFL BAFL is arranged to match the pattern from step 1.

To attach two WAFL BAFLs together, find the yellow labels on each side of the WAFL BAFL. Take off the yellow labels on both WAFL BAFLs and push out the material from the hole.



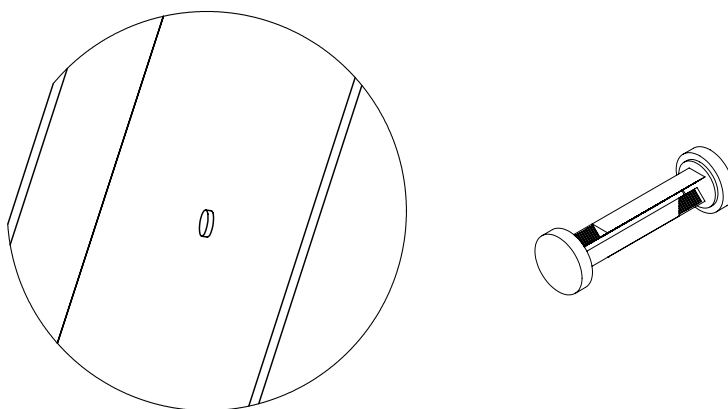
10. Take a pair of the Ratchet Rivets and align the threaded rib perpendicular to each other before inserting it into the hole. Use both hands to insert the two pieces together and push it tightly to secure the WAFL BAFLs together.



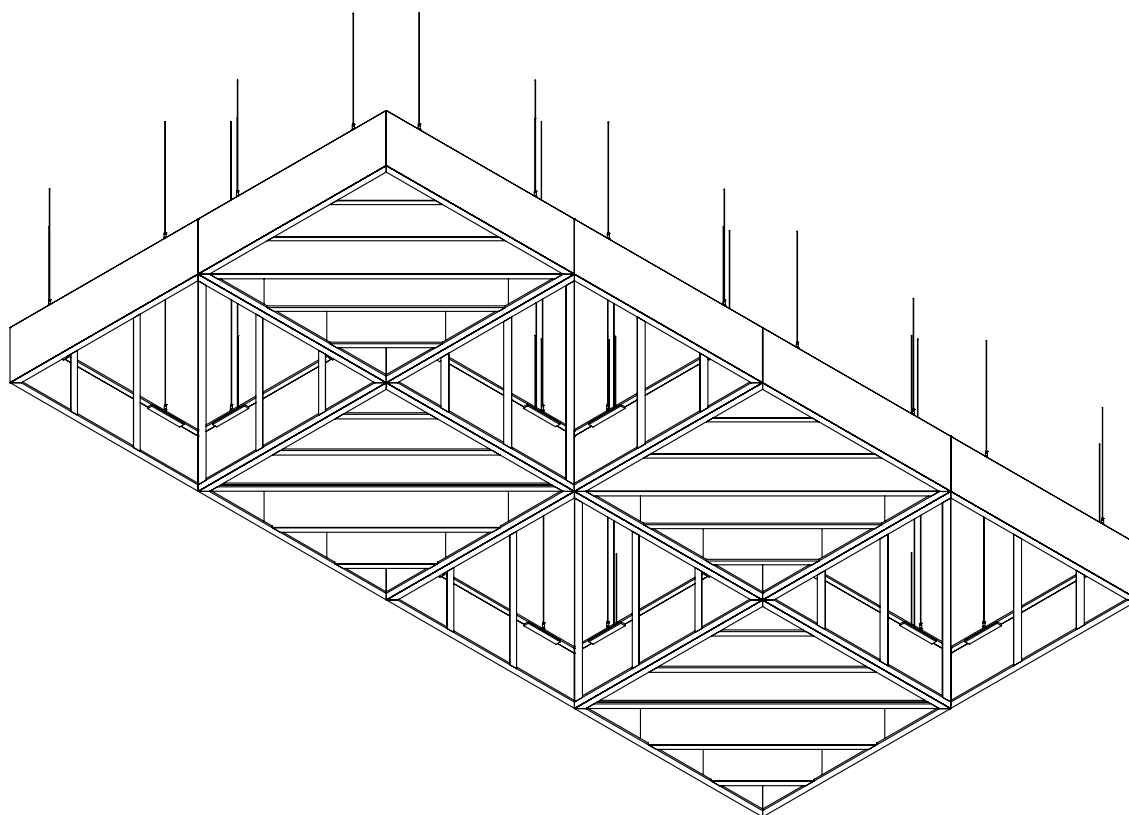
WAFL BAFL Installation - Non Lit

Acoustical Box Baf

11. Repeat this process with the rest of the WAFL BAFLs until all are installed on the ceiling, then connected and secured on every side with the Ratchet Rivets.



12. Finish the installation.



WAFL BAFL Installation - Lit

Acoustical Box BafI

These installation suggestions consist of a common process for WAFL BAFL installation. Installers should rely upon their own professional experience and understanding of their unique requirements to ensure a successful install.

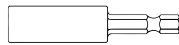
Tools Needed



Drill

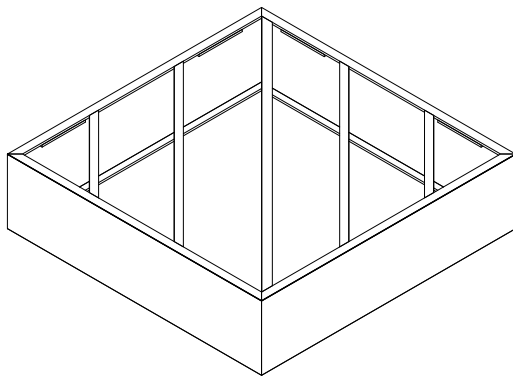


Cable Cutter & Crimper

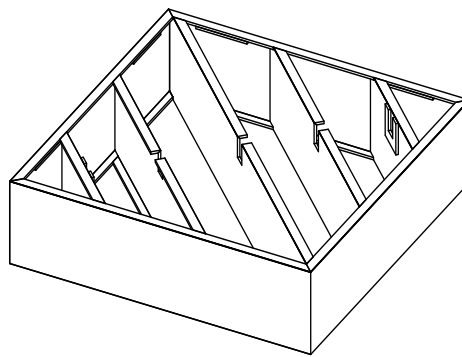


Hanger Bolt Driver
(IVY classic)

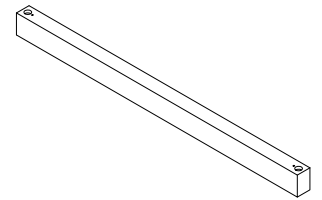
Items Included



WAFL BAFL Non-Lit



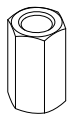
WAFL BAFL Lit



Light Fixtures



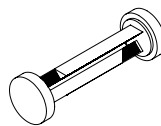
Hanger Bolt



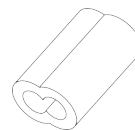
Coupling Nut



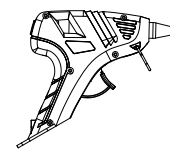
Aircraft Cable



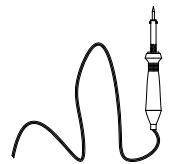
Ratchet Rivets



Cable Ferrule



Glue gun
with Glue sticks

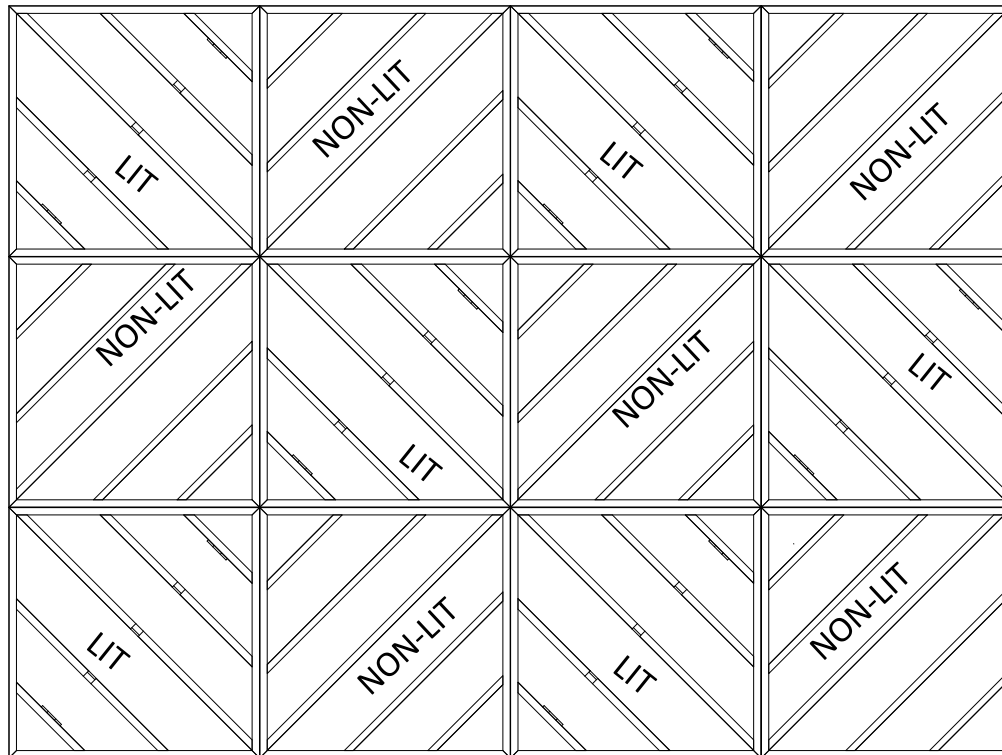


Soldering Iron

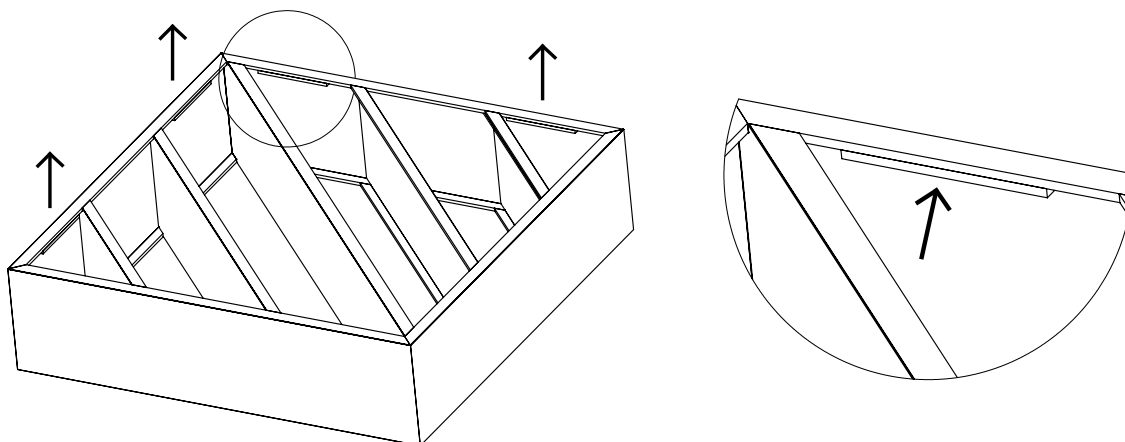
WAFL BAFL Installation - Lit

Acoustical Box Baf

1. Check the total quantity of the WAFL BAFL before assembly. Each WAFL BAFL will be labeled as LIT or NON-LIT. Arrange each WAFL BAFL on the floor according to the design.



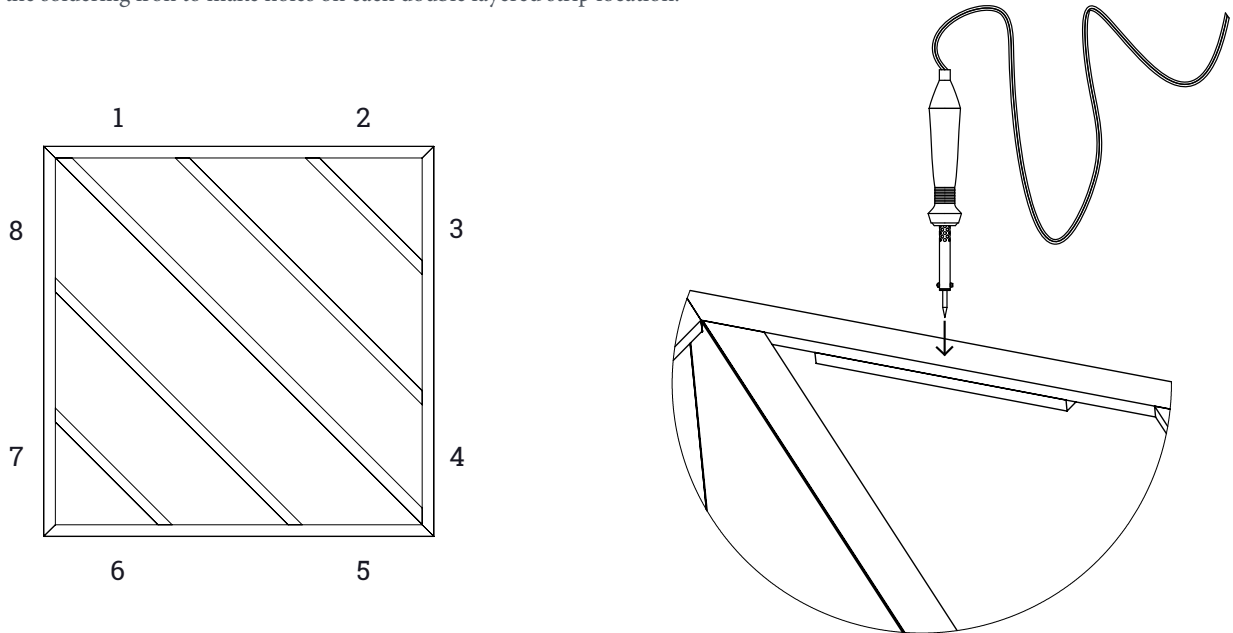
2. Ensure each WAFL BAFL is placed with the double layer strip facing the ceiling. This is needed to install the hardware to hang each WAFL BAFL.



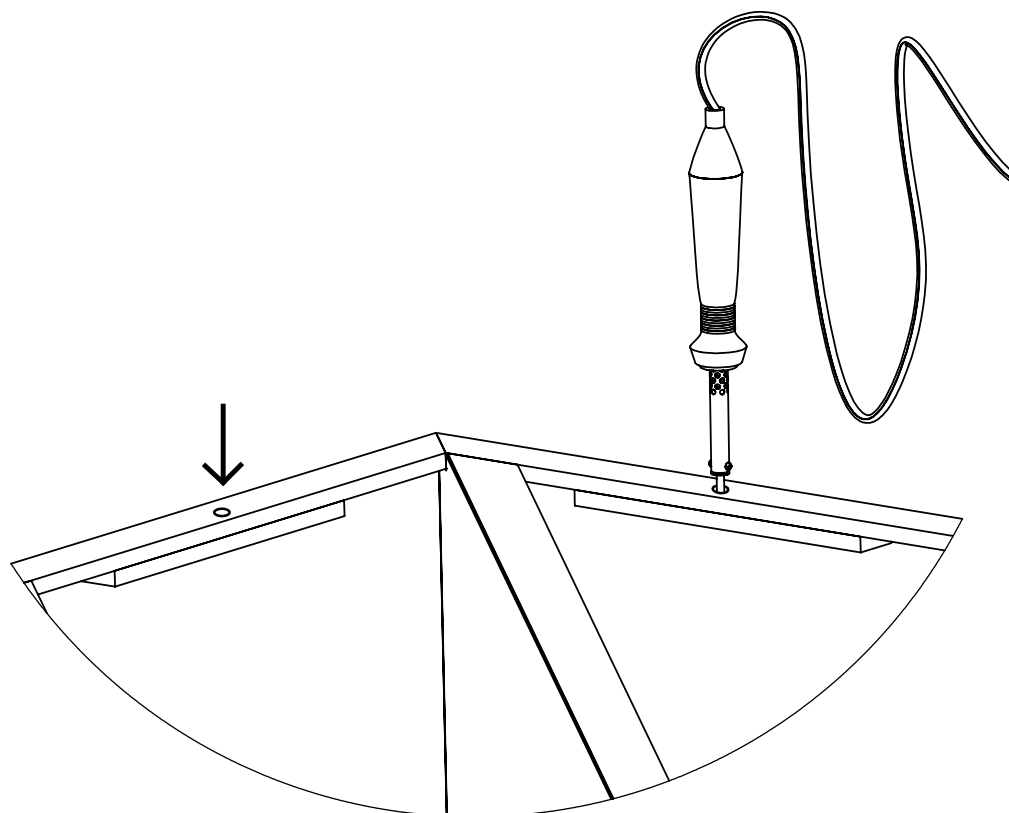
WAFL BAFL Installation - Lit

Acoustical Box Baf

3. The double layered strips will be the location to install the hardware. Each WAFL BAFL has 8 locations - 2 on each side. Use the soldering iron to make holes on each double layered strip location.



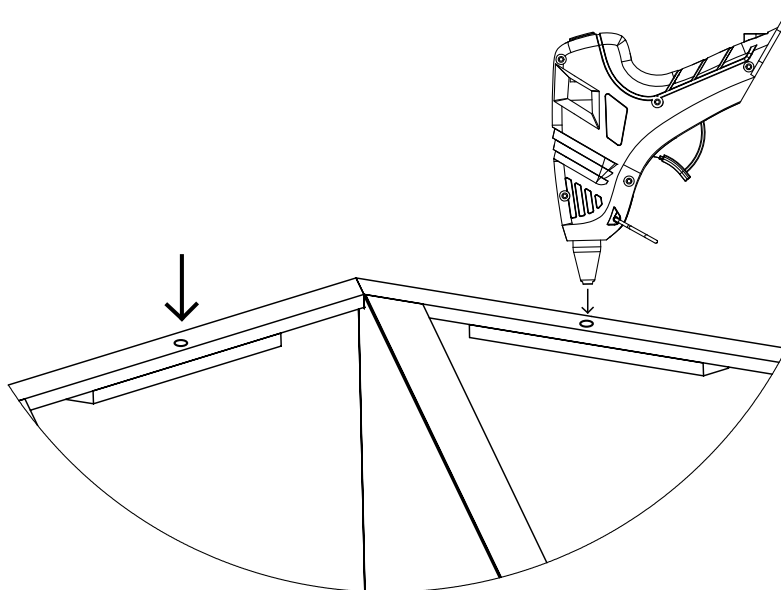
4. Make a hole in the center of each strip location. Ensure the depth of the hole is 18mm-20mm, do NOT pass through all layers of the strips.



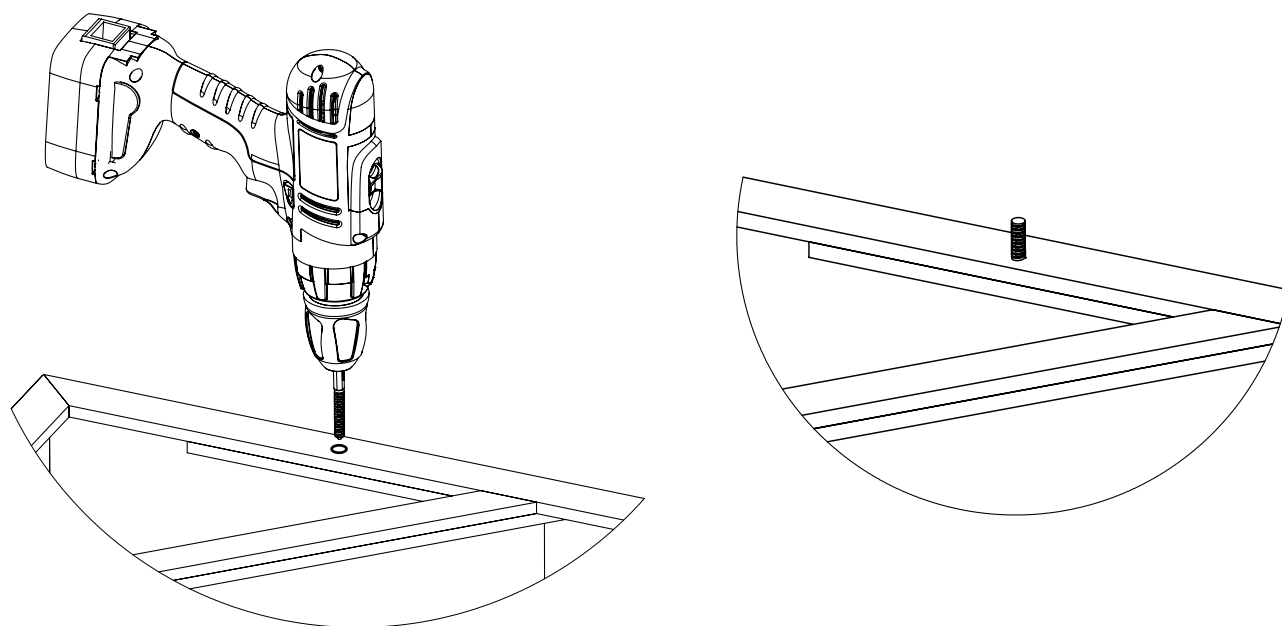
WAFL BAFL Installation - Lit

Acoustical Box Baf

5. Fill the hole with glue using the hot glue gun.



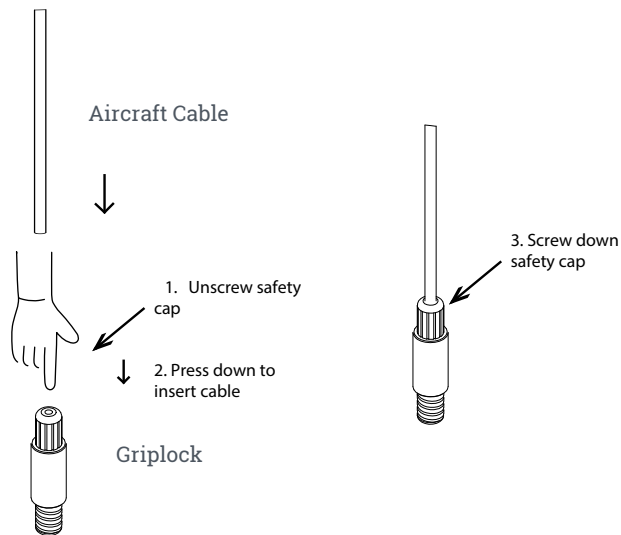
6. Attach the hanger bolt driver on the drill. Insert the hanger bolt on the hanger bolt driver, then drill the hanger bolt through the hole until it reaches half way. Repeat with all 8 locations on the WAFL BAFL.



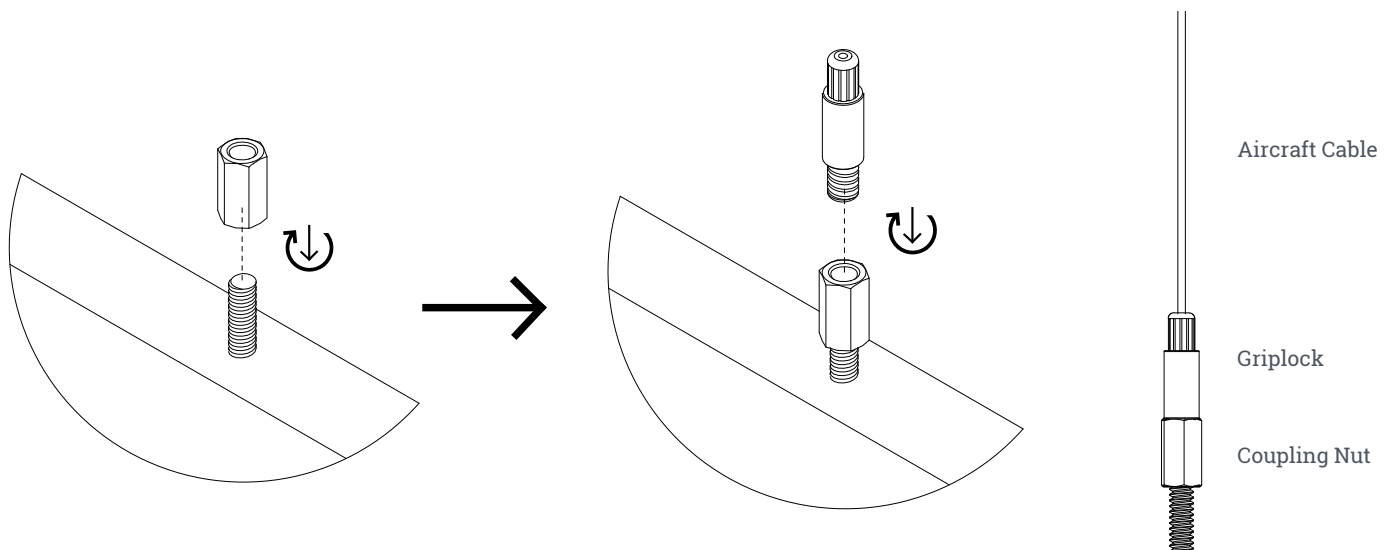
WAFL BAFL Installation - Lit

Acoustical Box Baf

7. Insert the aircraft cable through the Cable Ferrule and Griplock. Screw the Griplock head to secure the cable.



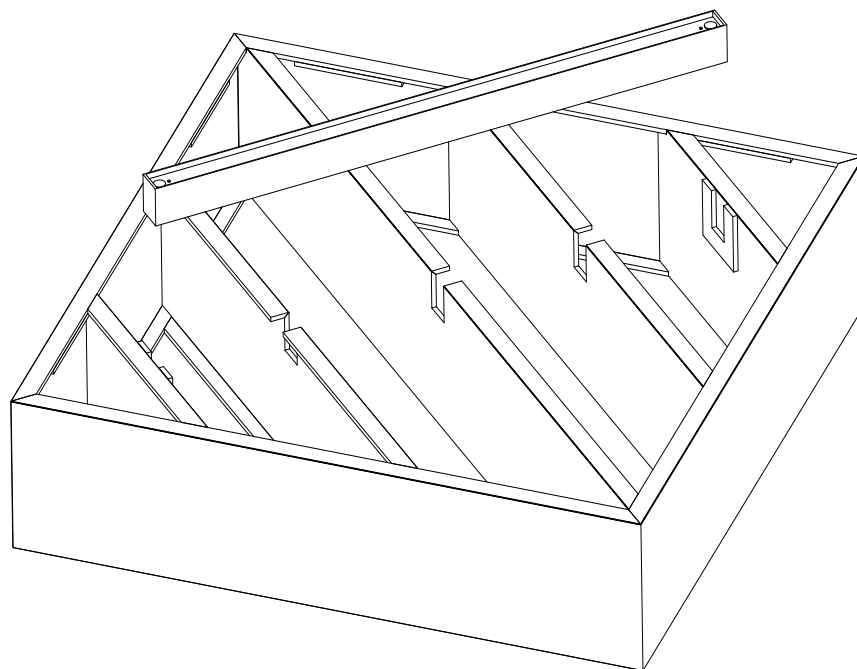
8. Insert and screw the Coupling Nut on the Hanger Bolt that has been installed onto the WAFL BAFL. Take the Griplock and Aircraft Cable and insert onto the Coupling Nut, twist to secure.



WAFL BAFL Installation - Lit

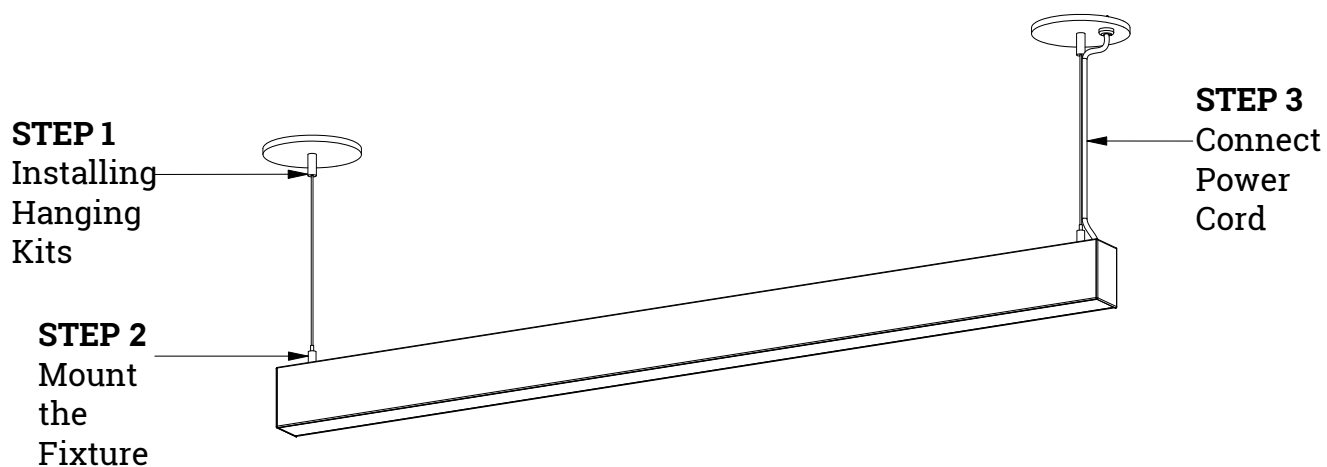
Acoustical Box Baf

9. Mount the Light Fixtures to each of the LIT WAFL BAFLs.



10. Once the hardware has been placed, install each WAFL BAFL one at a time to the ceiling. Ensure each WAFL BAFL is arranged to match the pattern from step 1.

DISCLAIMER: You must install the Light Fixtures to the ceiling for each LIT WAFL BAFL as you go; attach the LIT WAFL BAFL to the ceiling, then immediately install the Light Fixture with it.

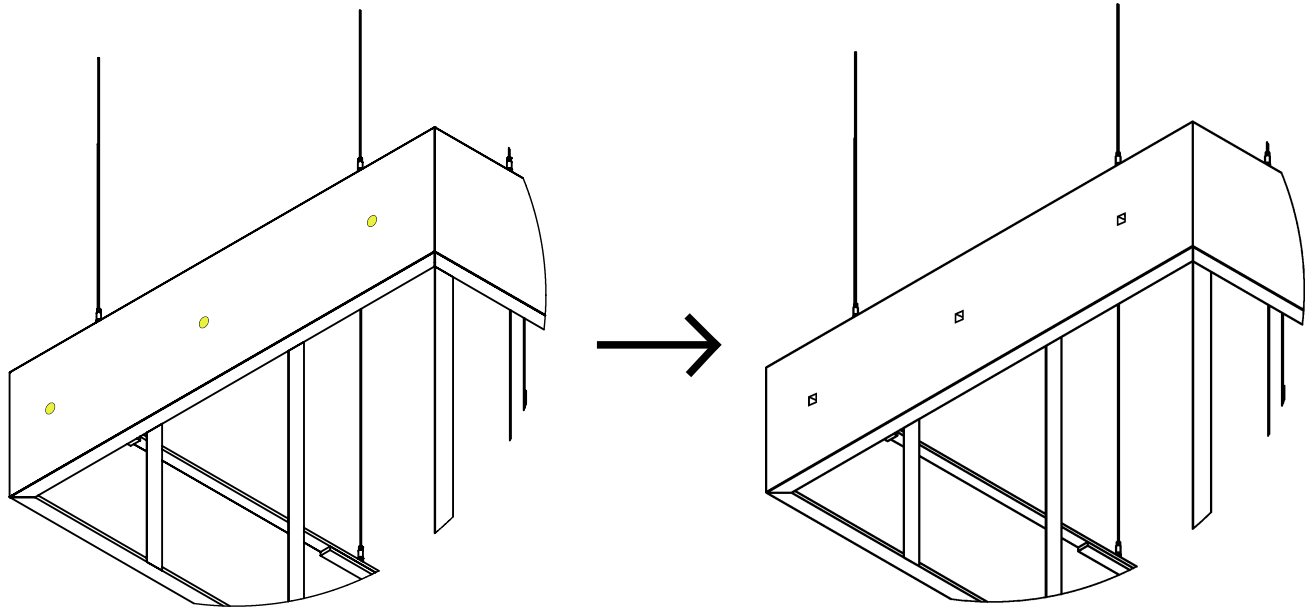


WAFL BAFL Installation - Lit

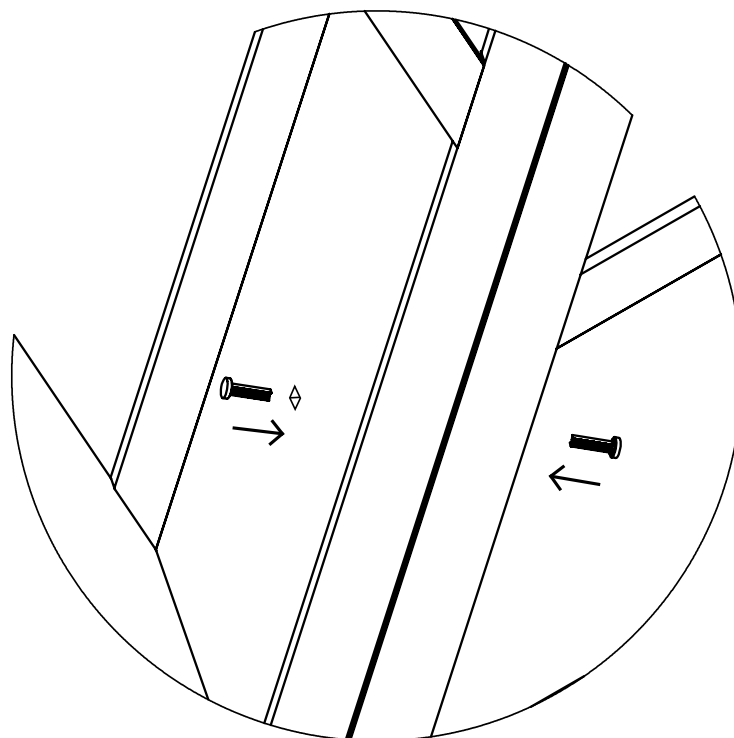
Acoustical Box Baf

11. As you install each WAFL BAFL to the ceiling, begin to attach and secure each of them together on the sides.

To attach two WAFL BAFLs together, find the yellow labels on each side of the WAFL BAFL. Take off the yellow labels on both WAFL BAFLs and push out the material from the hole.



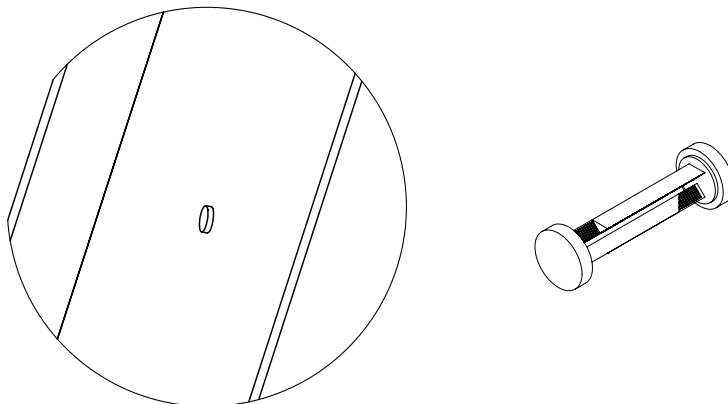
12. Take a pair of the Ratchet Rivets and align the threaded rib perpendicular to each other before inserting it into the hole. Use both hands to insert the two pieces together and push it tightly to secure the WAFL BAFLs together.



WAFL BAFL Installation - Lit

Acoustical Box Baf

13. Repeat this process with the rest of the WAFL BAFLs until all are installed on the ceiling, then connected and secured on every side with the Ratchet Rivets.



14. Finish the installation.

