

CLIF Installation

Acoustical Wall Tiles

These installation suggestions consist of a common process for CLIF installation. Installers should rely upon their own professional experience and understanding of their unique requirements to ensure a successful install.

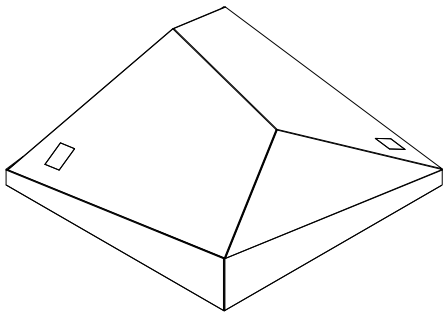
**Variations and inconsistencies in the wall may affect the installation outcome. If uneven walls are a concern, please reach out to us for a spacer recommendation. Product may have up to 1/16" variance.*

Tools Needed

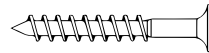


Drill

Items Included

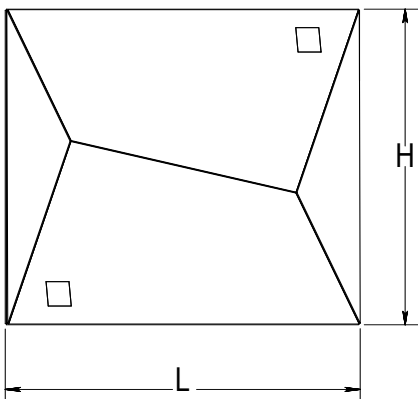


CLIF Tiles



Screws

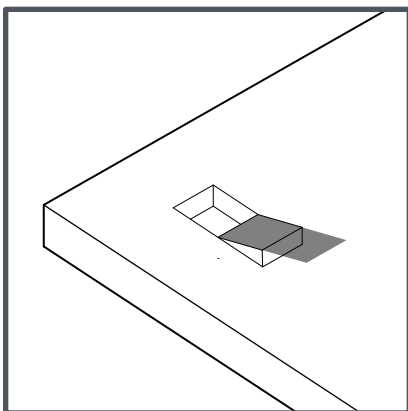
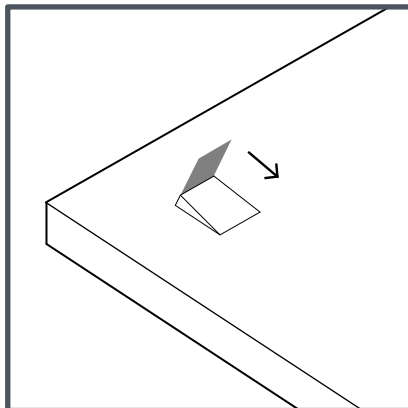
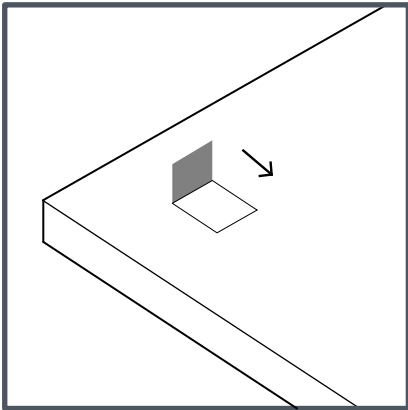
1. Unwrap tiles from plastic wrap. Confirm tile dimensions match your needs.



CLIF Installation

Acoustical Wall Tiles

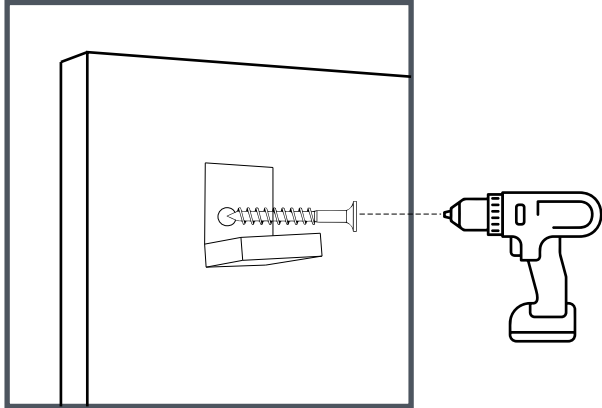
2. Locate STD strip at all two corners and pull it to open the STD (secret trap door).



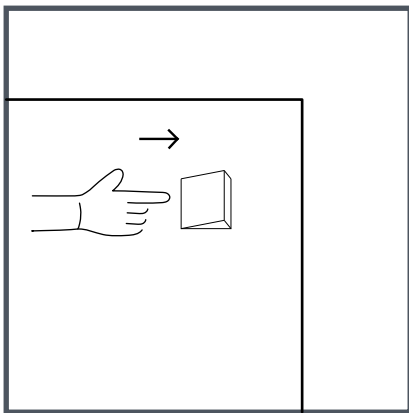
CLIF Installation

Acoustical Wall Tiles

4. Carefully pull all the trap doors before installing. Use the drywall screw to mount.



5. Close the door to finish installation.



6. Repeat process with desired arrangement to complete installation.

