

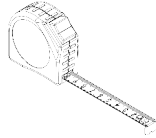
DIVI-PRIVACY Installation

These installation suggestions consist of a common process for DIVI-PRIVACY installation. Installers should rely upon their own professional experience and understanding of their unique requirements to ensure a successful install.

Tools Needed

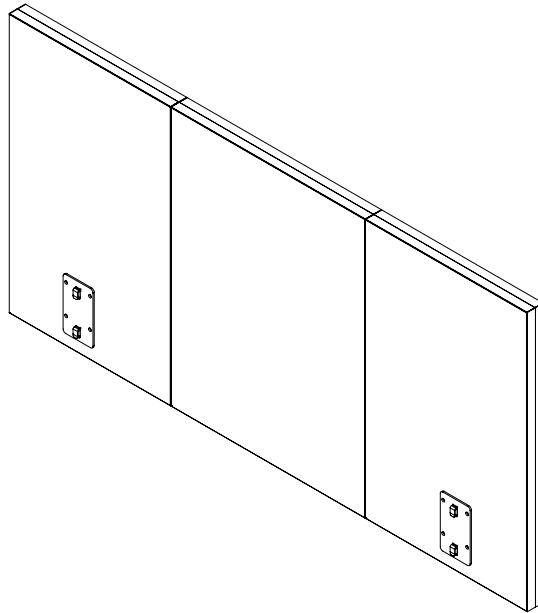


Drill

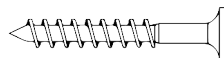


Tape Measure

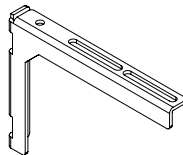
Items Included



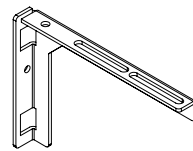
1x CHU PRIVACY



1x Screw

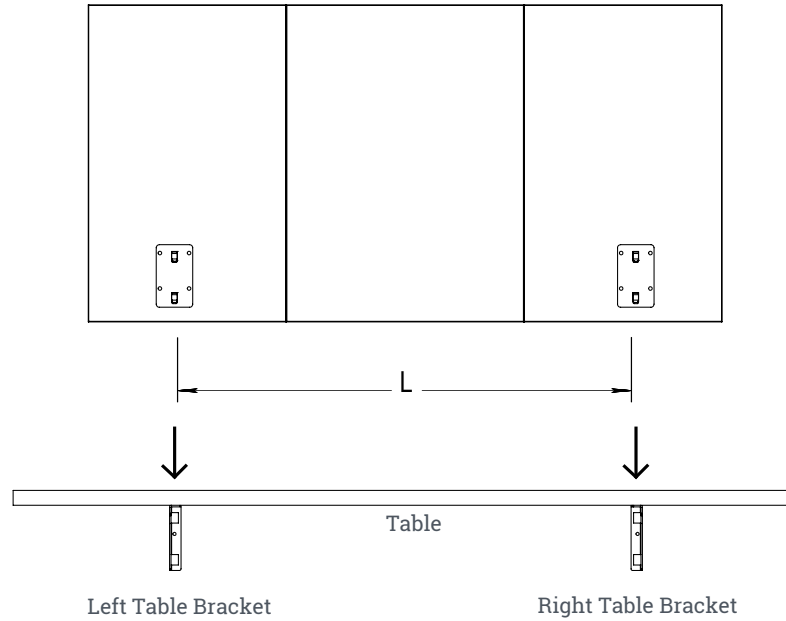


Left Table Bracket

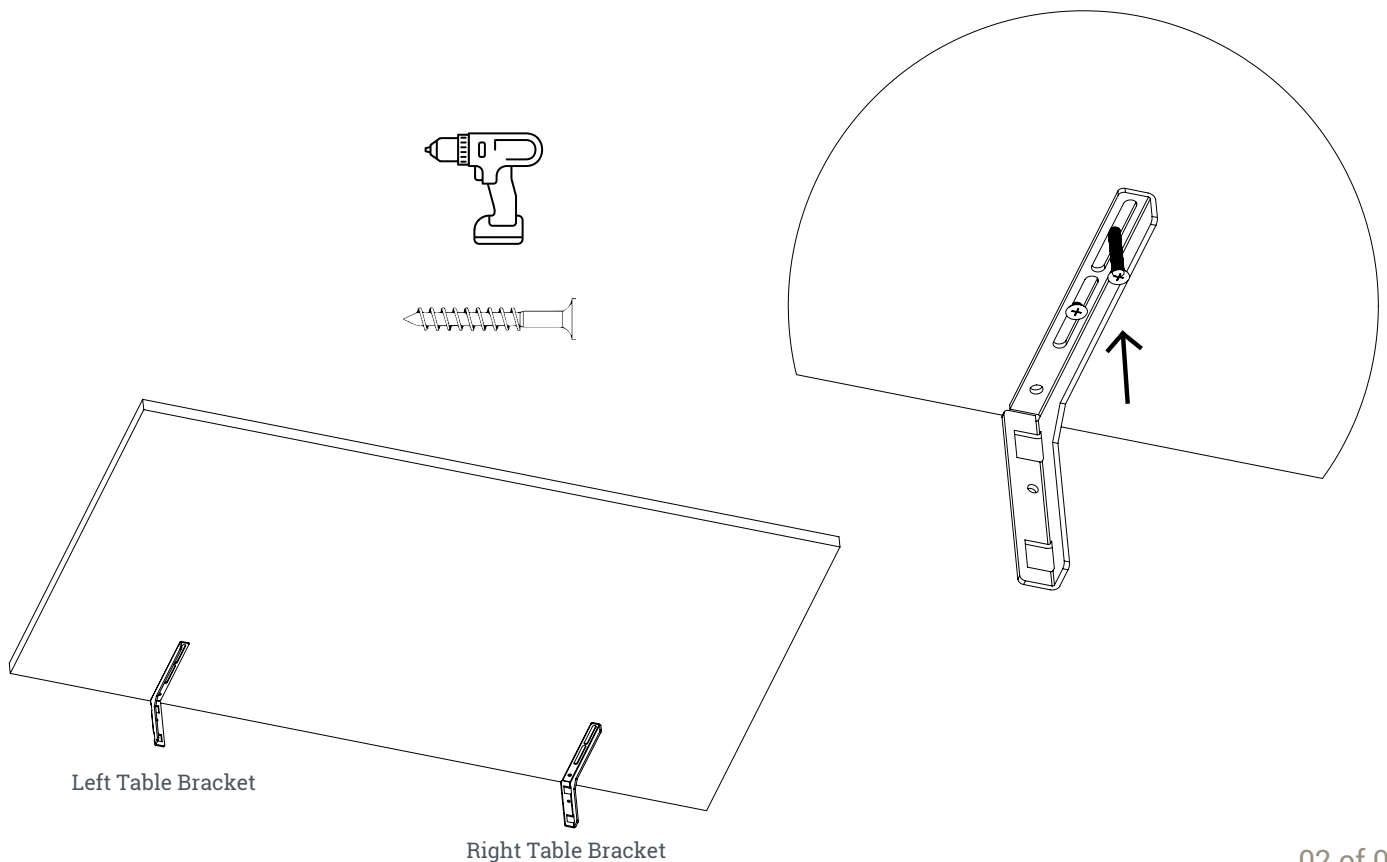


Right Table Bracket

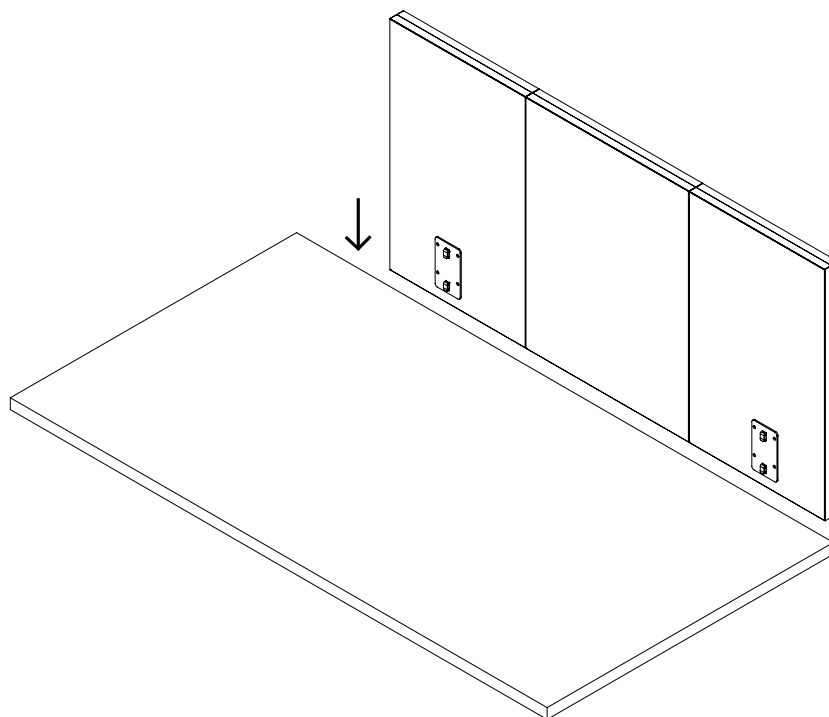
1. Take the DIVI-PRIVACY and measure the distance between the two bracket placements on the material. Make a mark on the underside of any desired surface of this distance; this is where the Left and Right Brackets will be installed to hold the DIVI-PRIVACY.



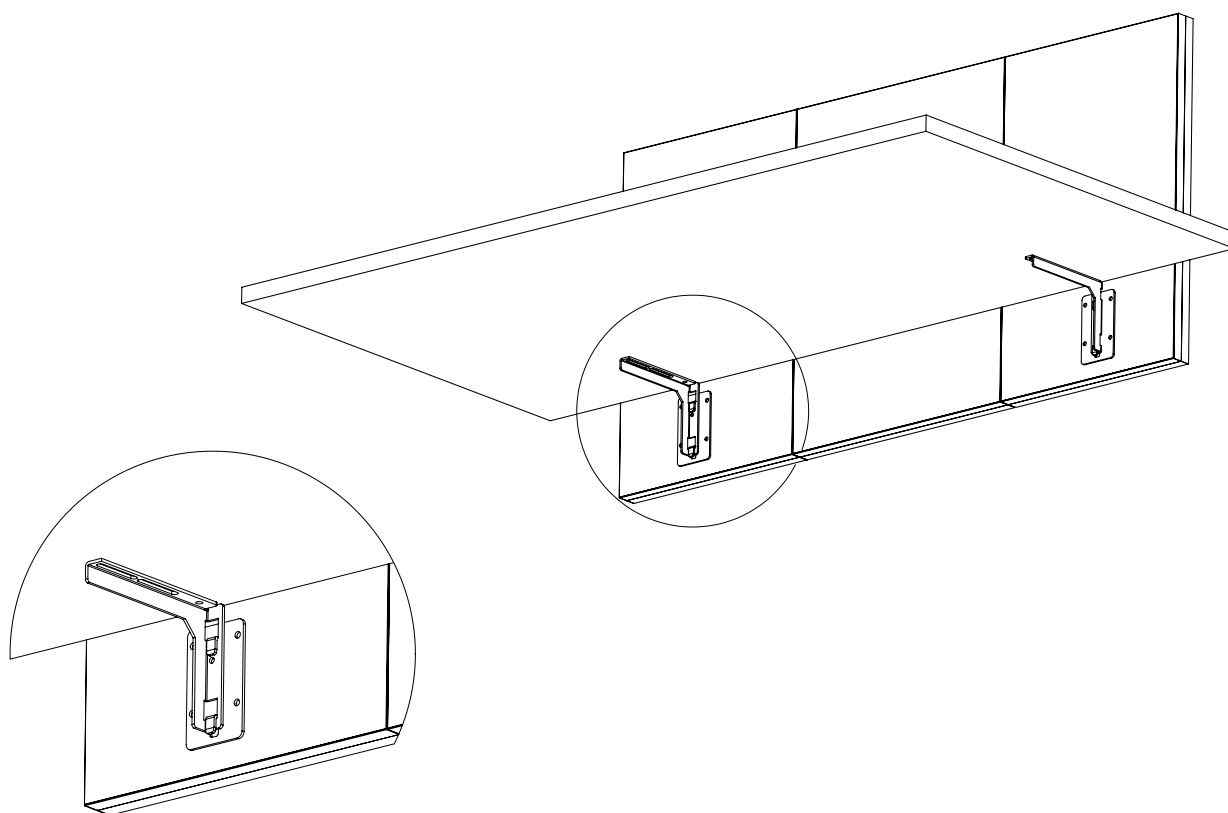
2. Take the Left or Right Bracket and drill two pilot holes on the underside of the desired surface. Carefully align the bracket and drill in two screws in the center of the gaps in the brackets - secure for stability. Repeat with other side to install both brackets.



3. Once the two brackets are installed under the desired surface, take the DIVI-PRIVACY and carefully align the slots on the material with the newly installed brackets.



4. Carefully slide the DIVI-PRIVACY downward onto the brackets to interlock both slots.



5. Finish the installation.

