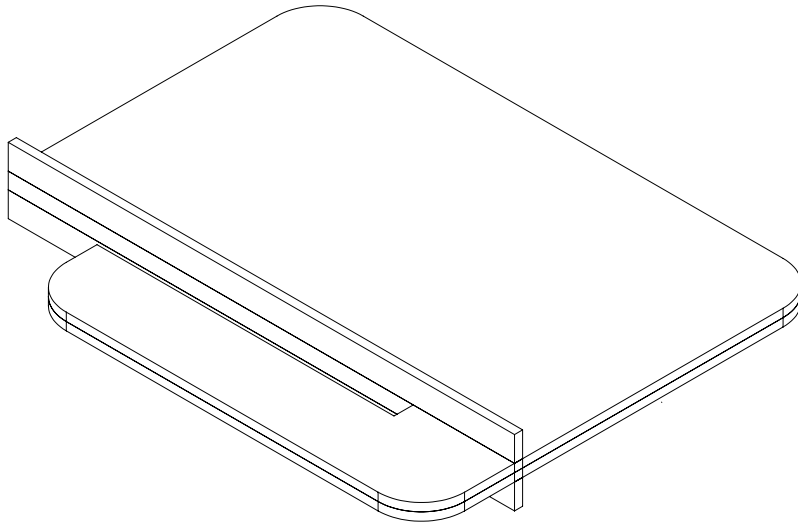


DIVI-SIDE Installation

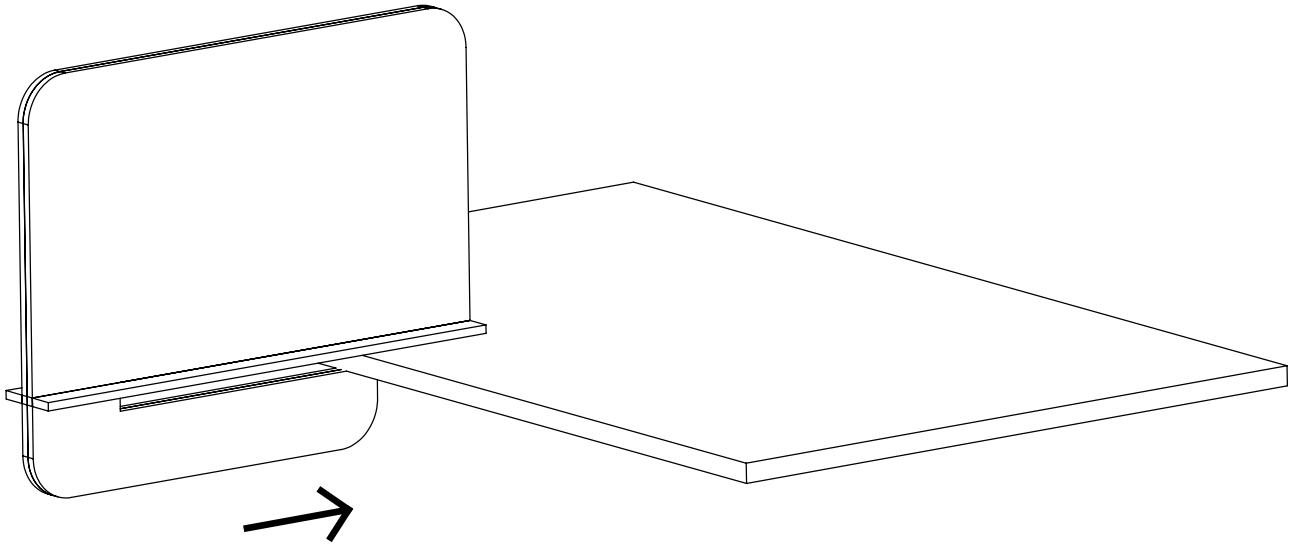
These installation suggestions consist of a common process for DIVI-SIDE installation. Installers should rely upon their own professional experience and understanding of their unique requirements to ensure a successful install.

Items Included



(1) DIVI-SIDE

1. Take the DIVI-SIDE and stand it upright. The gap in the middle is used to slot onto any desired surface for stability.



2. Place DIVI-SIDE on any desired surface with the gap slotted onto the surface to complete.

