

## Skinny BafI Installation - Spike Bracket

Acoustical Skinny BafI

These installation suggestions consist of a common process for Skinny BafI installation. Installers should rely upon their own professional experience and understanding of their unique requirements to ensure a successful install.

---

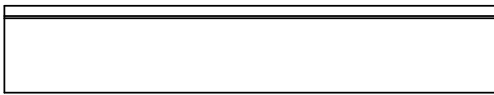
### Tools Needed



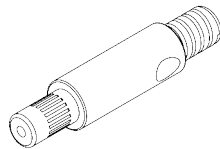
Cable Cutter

---

### Items Included



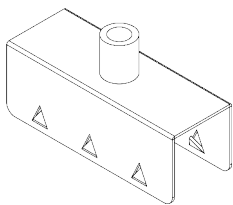
Skinny BafI



Griplock

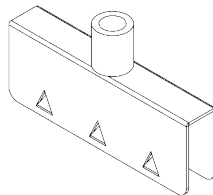


Aircraft Cable



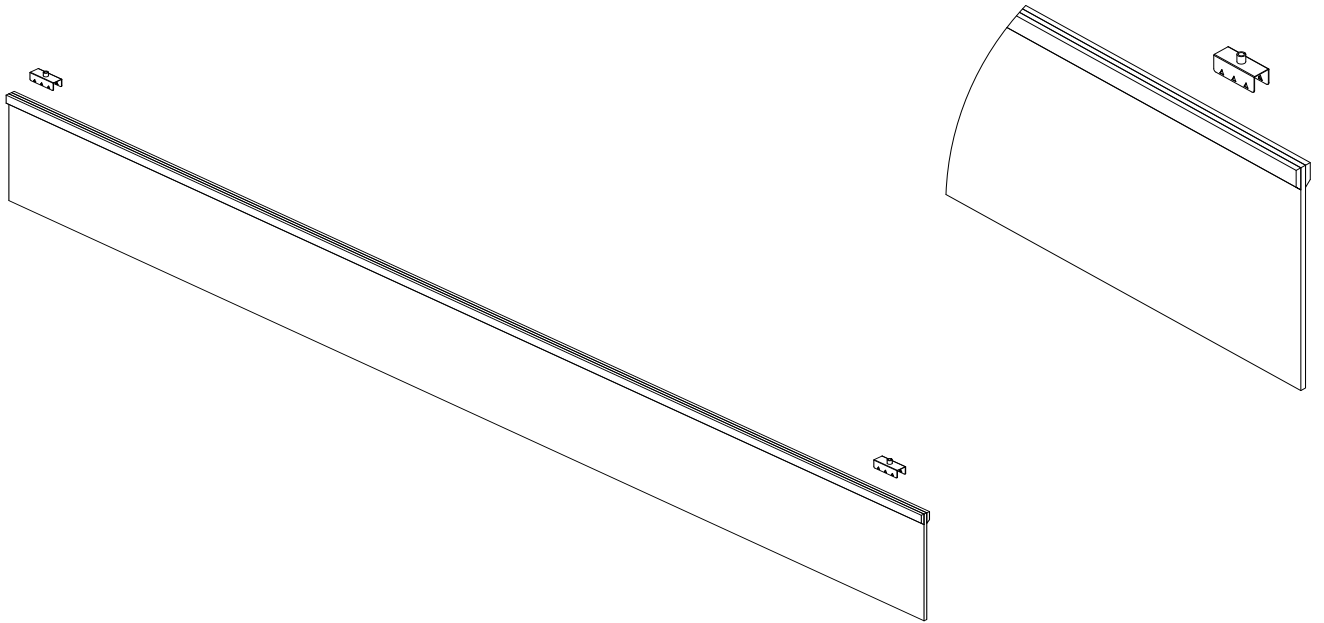
27mm Spike Bracket

or



9mm Spike Bracket

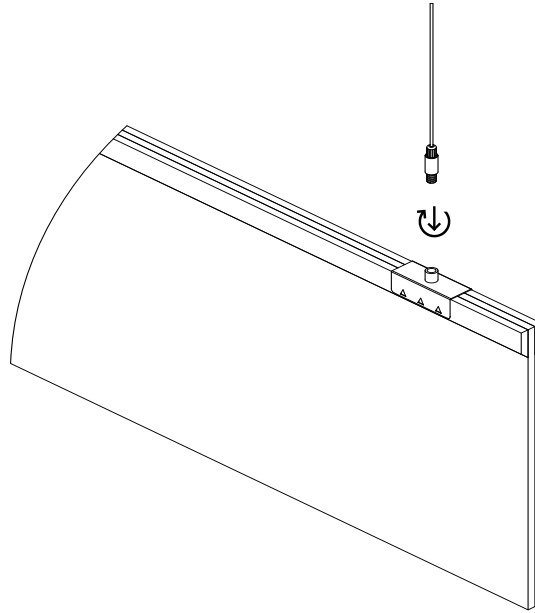
1. **FOR 27mm BRACKET:** Locate where the two spike brackets need to be placed. Recommended 6in away from each side. Slide the spike bracket from the top and it will grip into the material.



2. Insert the aircraft cable into the griplock. Cut the excess wire if needed.



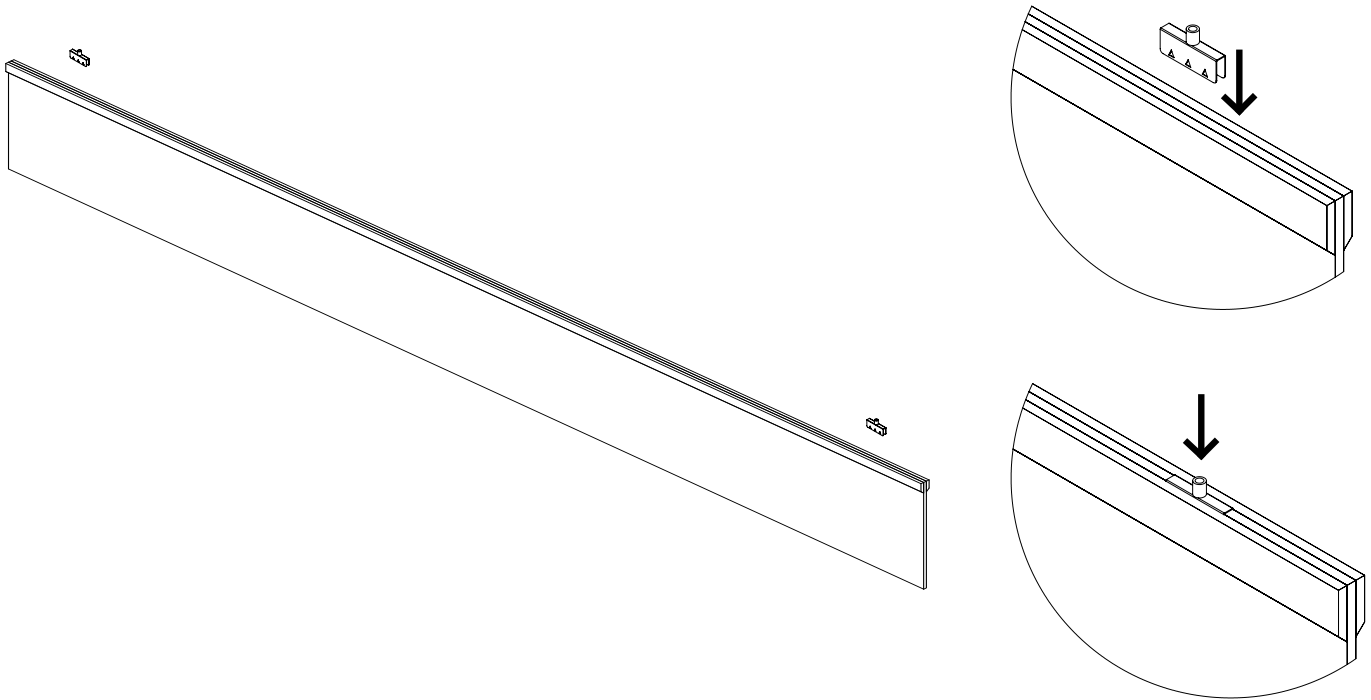
3. Insert and screw the griplock on the spike bracket.



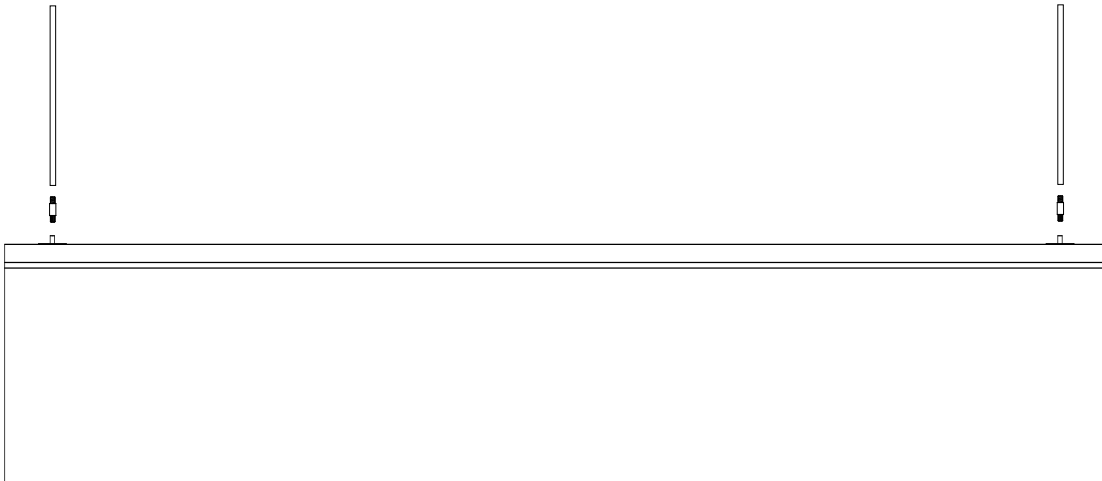
4. Finish the installation



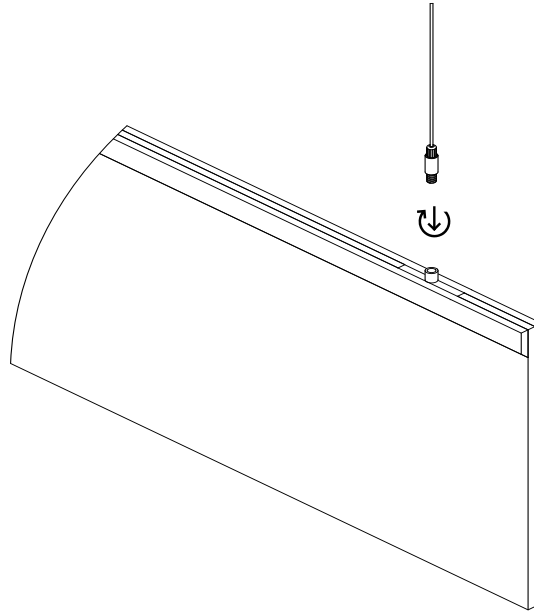
1. **FOR HIDDEN 9mm BRACKET:** Locate where the two spike brackets need to be placed. Recommended 6in away from each side. Slide the spike bracket from the top, in between the layers and it will grip into the material.



2. Insert the aircraft cable into the griplock. Cut the excess wire if needed.



3. Insert and screw the griplock on the spike bracket.



4. Finish the installation.



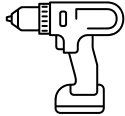
## Skinny BafI Installation - T-grid

### Acoustical Skinny BafI

These installation suggestions consist of a common process for Skinny BafI installation. Installers should rely upon their own professional experience and understanding of their unique requirements to ensure a successful install.

---

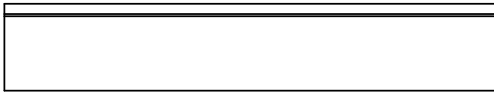
#### Tools Needed



Drill

---

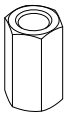
#### Items Included



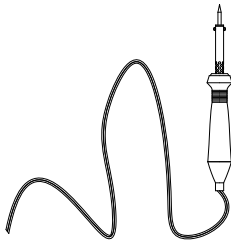
Skinny BafI



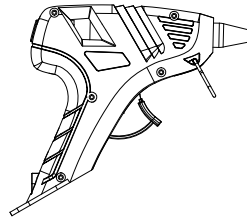
Hanger Bolt Driver  
(IVY classic)



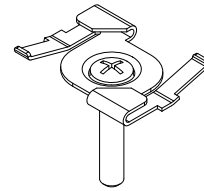
Coupler Nut



Soldering Iron



Glue gun with Glue sticks

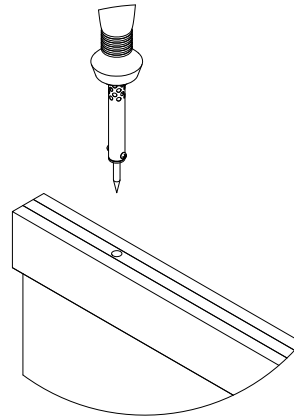
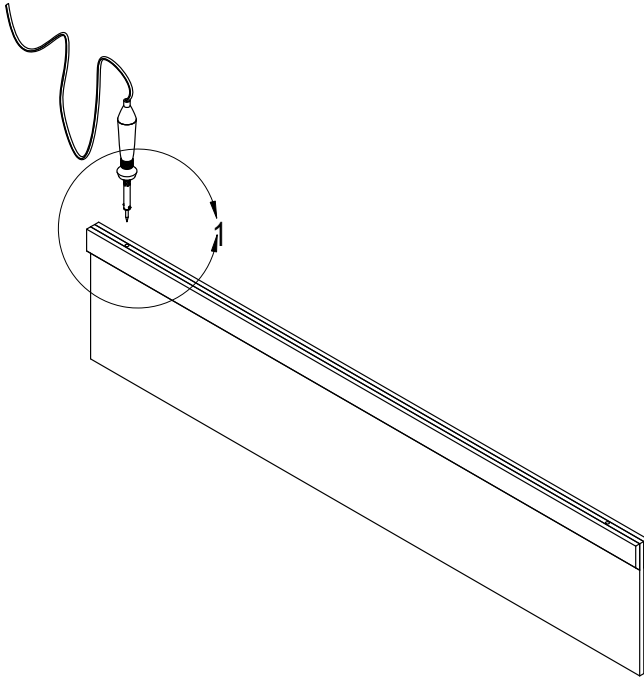


Caddy Clip

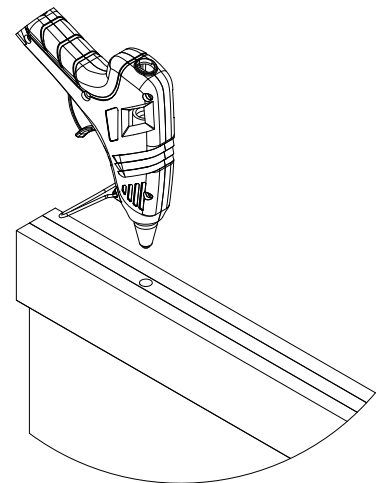
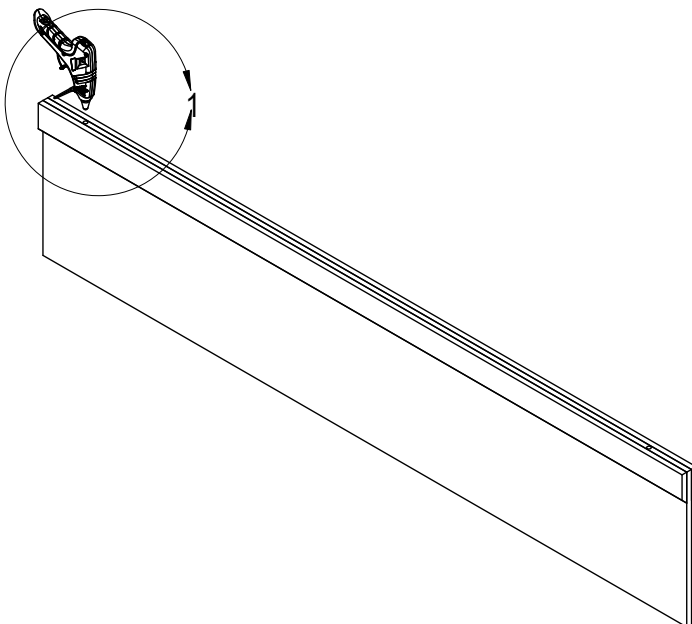


Hanger Bolt

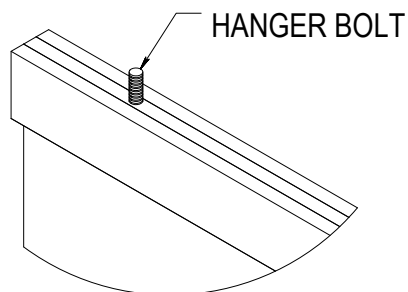
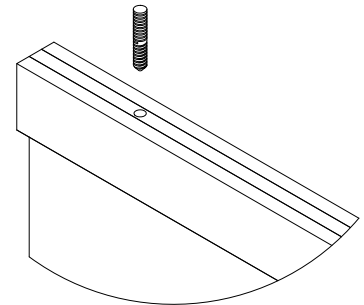
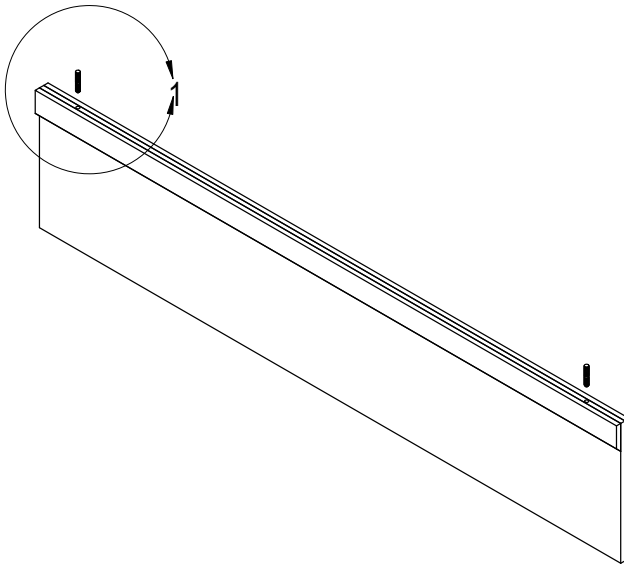
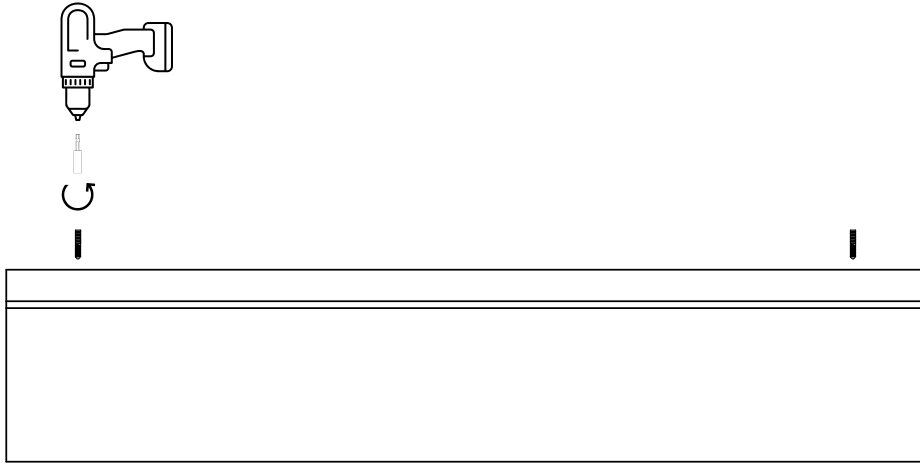
1. Use soldering Iron to make hole on the desired location. Please make sure soldering is hot enough to make the hole.



2. Pour Glue on the hole using glue gun before inserting hanger bolt.

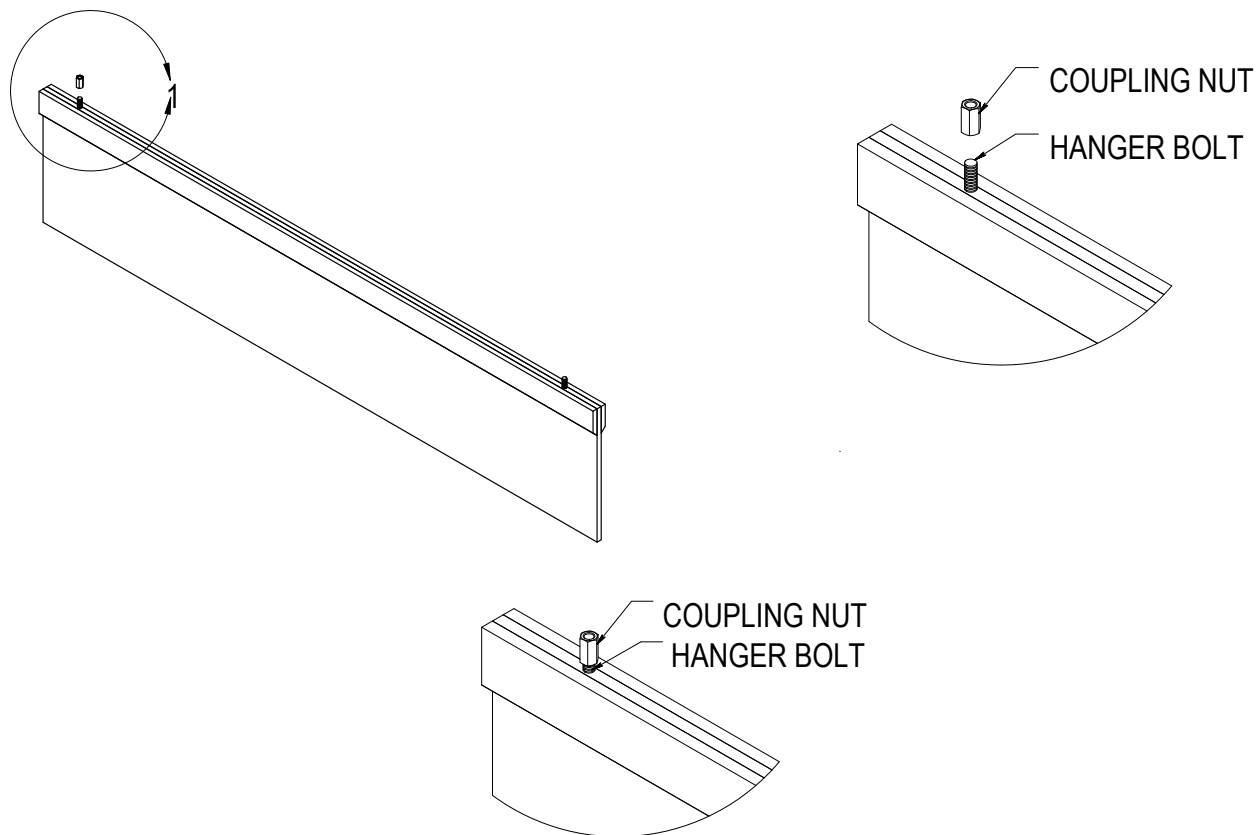


3. Use the hanger bolt driver to drive the hanger bolt into the hole. Be sure the hanger bolt is sticking out halfway. Wait till the glue becomes dry.

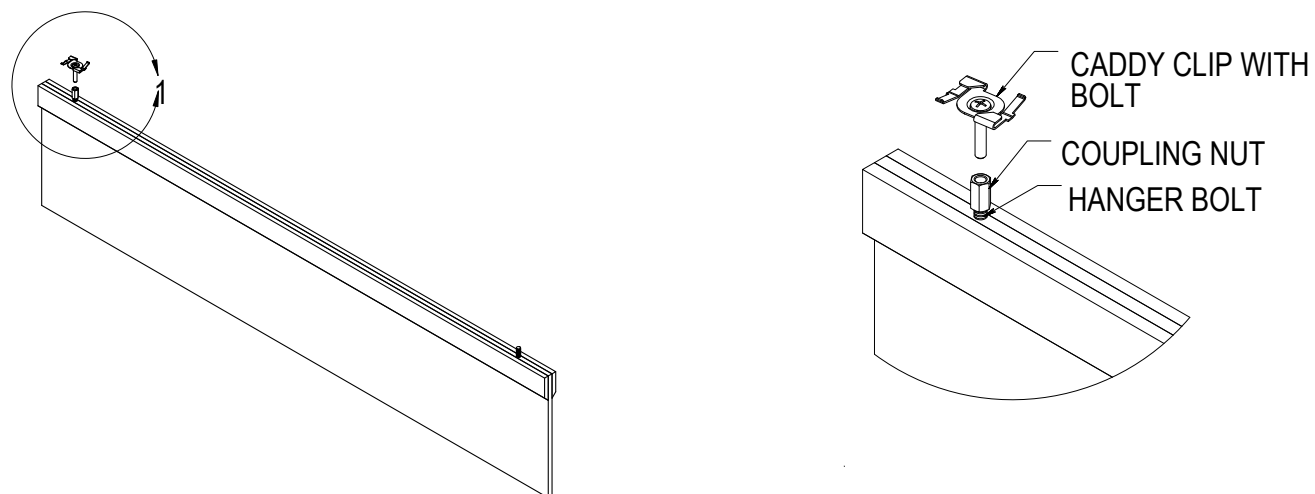


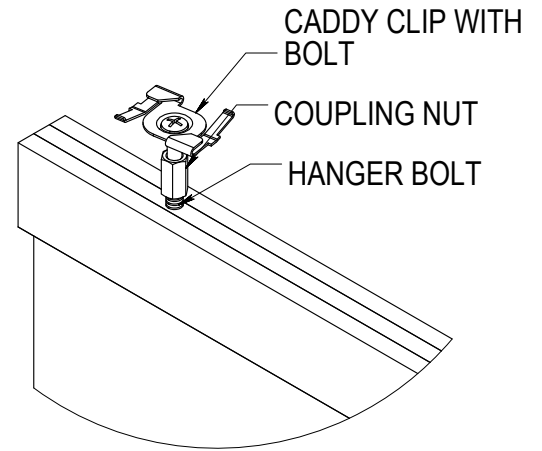
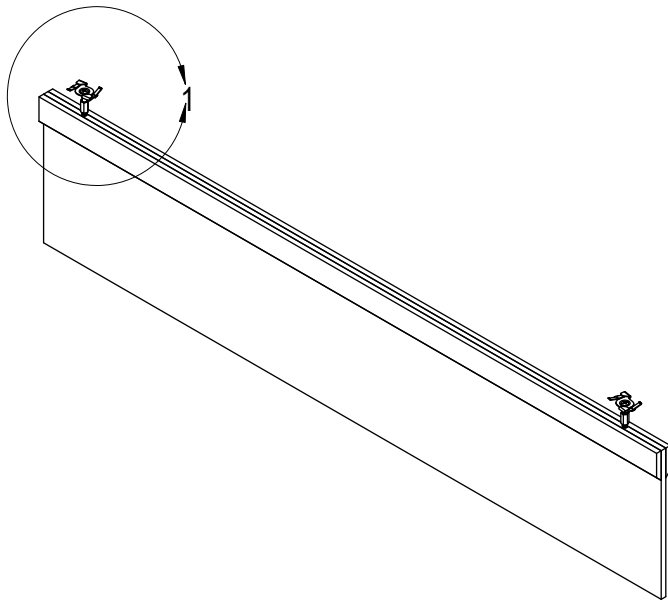


4. Screw the coupling nut on the hanger bolt.



5. Attach the caddy-clip on to the ceiling T-grid. Take the baffle and screw the coupling nut to the caddy clip.





6. Finish installation.



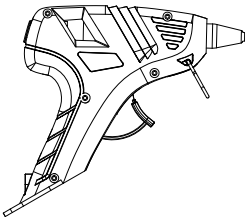
## Skinny BafI Installation - Continuous

### Acoustical Skinny BafI

These installation suggestions consist of a common process for Skinny BafI installation. Installers should rely upon their own professional experience and understanding of their unique requirements to ensure a successful install.

---

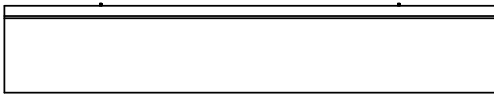
#### Tools Needed



Glue gun with Glue sticks

---

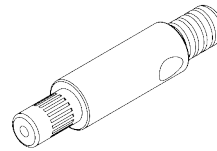
#### Items Included



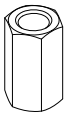
Skinny BafI



Joiner



Griplock



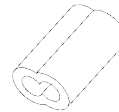
Coupler Nut



Aircraft Cable

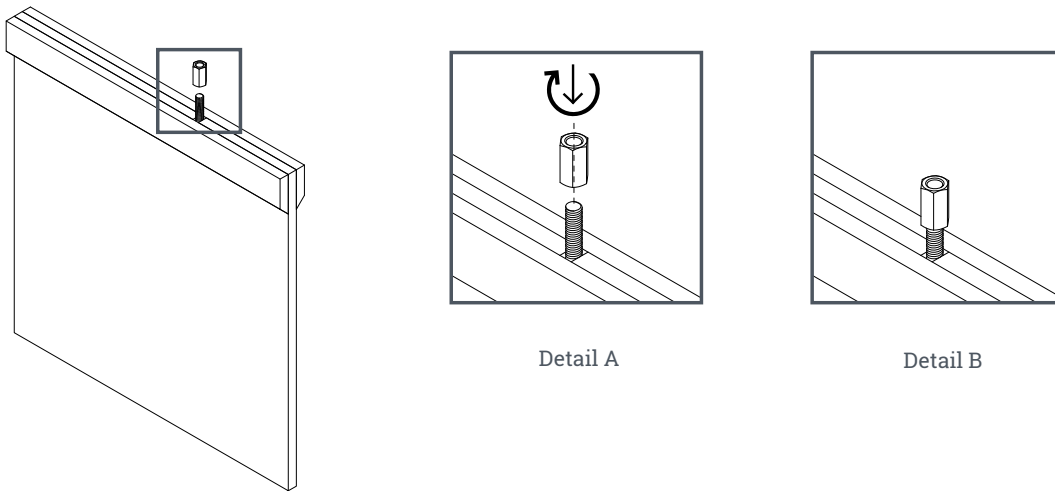


Pin Joiner

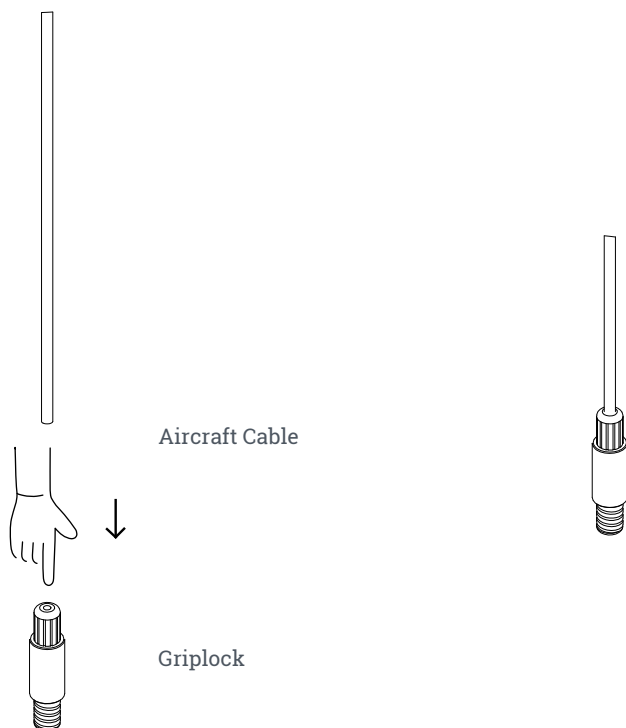


Cable Ferrule

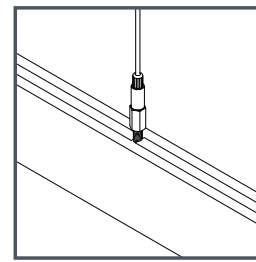
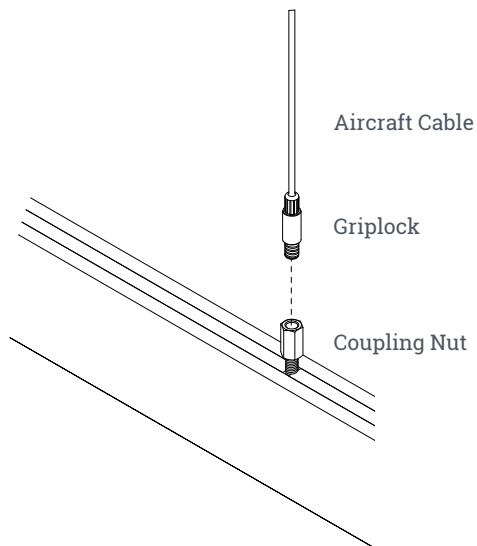
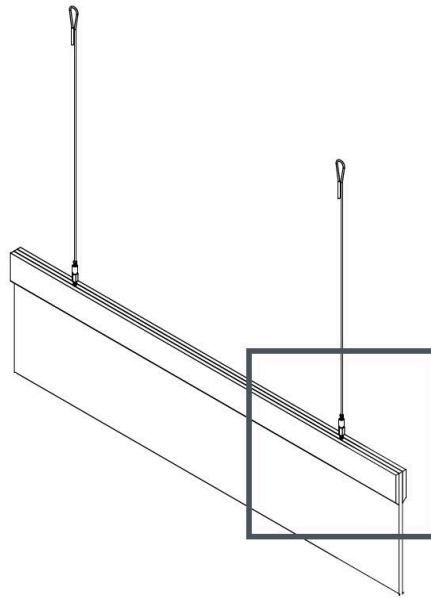
1. Insert the coupling nut on the hanger bolt.



2. Insert the aircraft cable into the griplock.

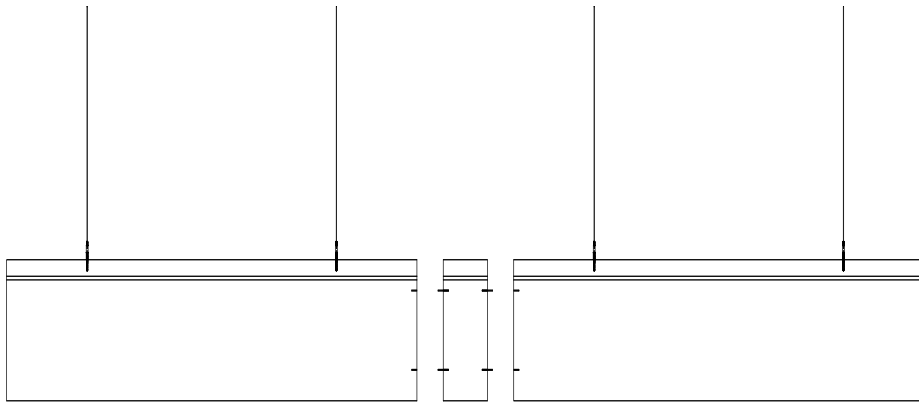


- 
3. Screw the griplock to the coupling nut of the sliding panel.

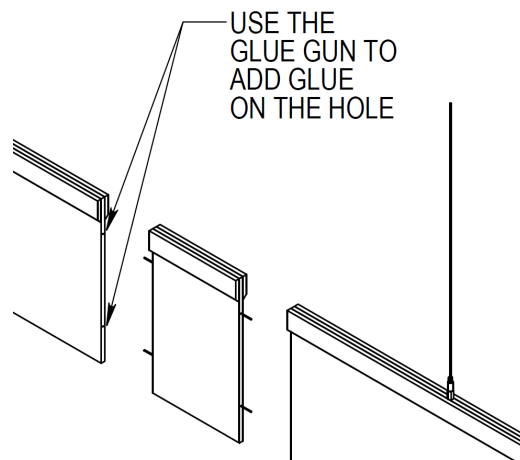


Detail

- 
4. Once both long pieces are hung, assemble the mid piece of the baff in between the longer, outer pieces.



5. Pour glue from the glue gun on the pre-drilled hole to insert the pin joiner from the mid piece.



---

## 6. Finish the installation

