

TORI Installation - Non Lit

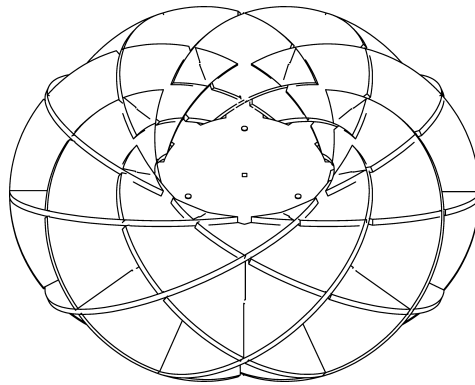
These installation suggestions consist of a common process for TORI installation. Installers should rely upon their own professional experience and understanding of their unique requirements to ensure a successful install.

Tools Needed

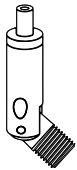


Cable Cutter

Items Included



(1) TORI



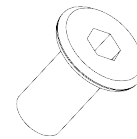
Jointed Gripper



Sputnik Assembly



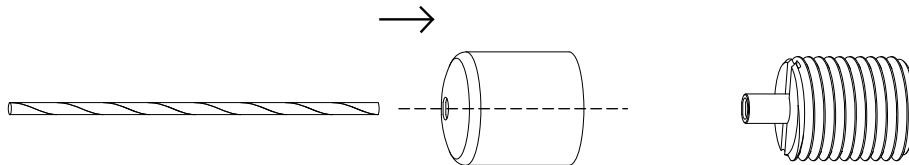
Aircraft Cable



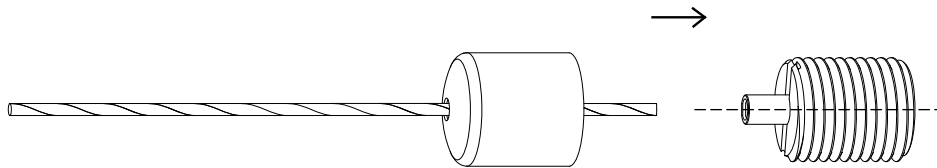
T-Nut

TORI Installation

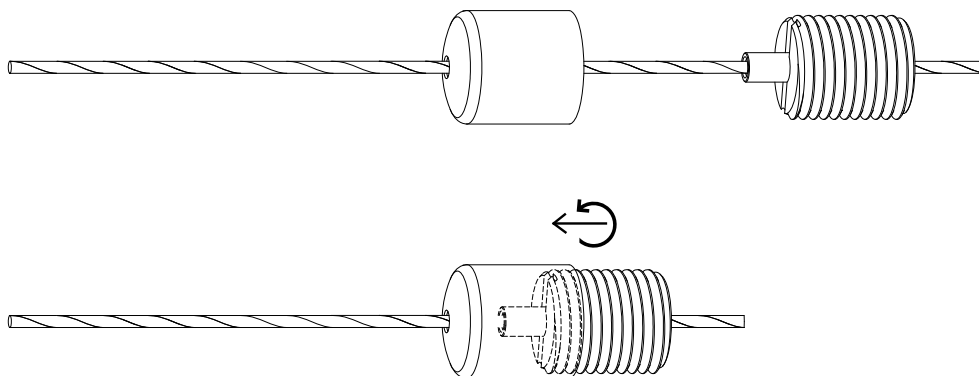
1. Insert the aircraft cable into the sputnik head.



2. Insert the aircraft cable into the threaded head.

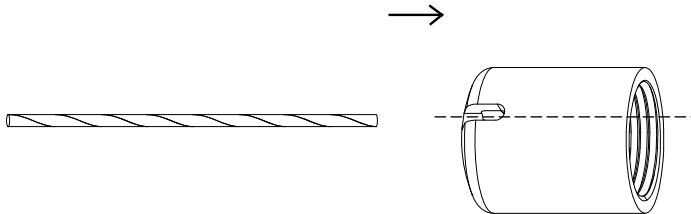


3. Screw it to the sputnik head.

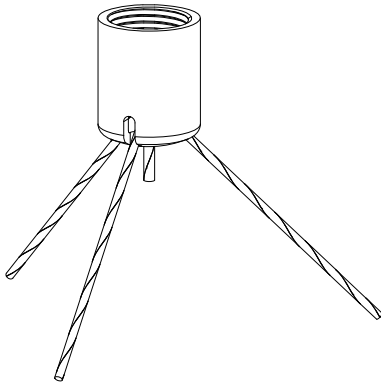


TORI Installation

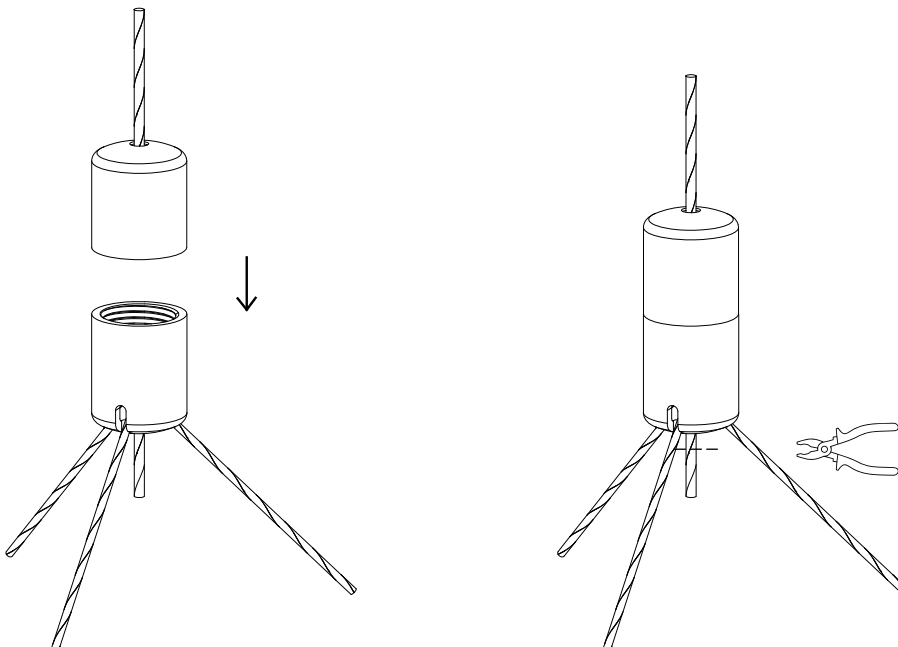
4. Insert aircraft cables to the bottom exit.



5. Use 3 aircraft cables to attach on the bottom exit.

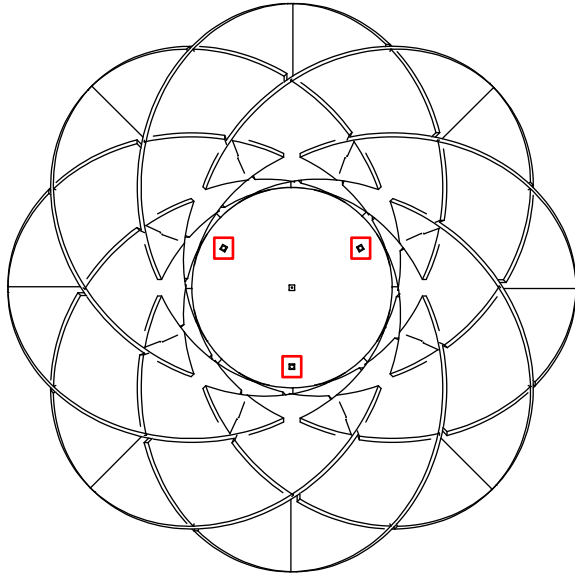


6. Screw it back to the sputnik head and cut excess wire.

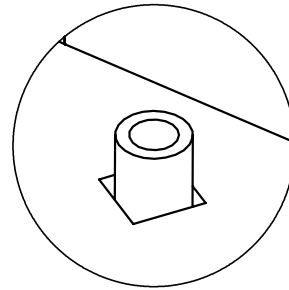


TORI Installation

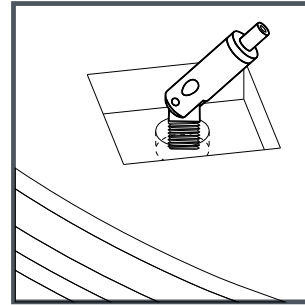
7. Locate the hole on top of TORI and place the T-Nut through from the bottom. Attach the jointed gripper from the top to the T-Nut to mount TORI securely.



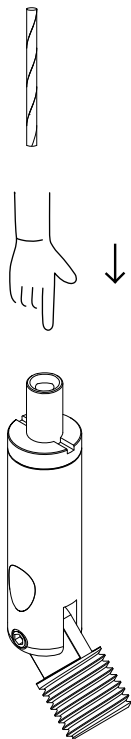
T-Nut



Jointed Gripper



8. Press and hold the spring portion to insert the aircraft cable.



9. Finish the installation.

