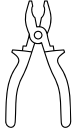


CLOUD LIT Installation

Acoustical Cloud

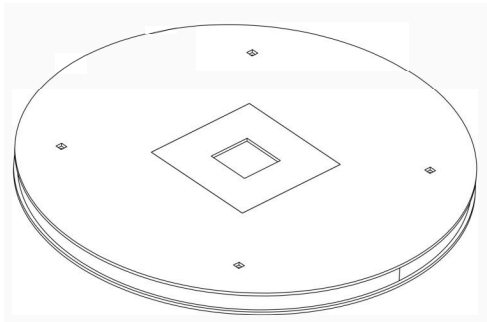
These installation suggestions consist of a common process for CLOUD installation. Installers should rely upon their own professional experience and understanding of their unique requirements to ensure a successful install.

Tools Needed



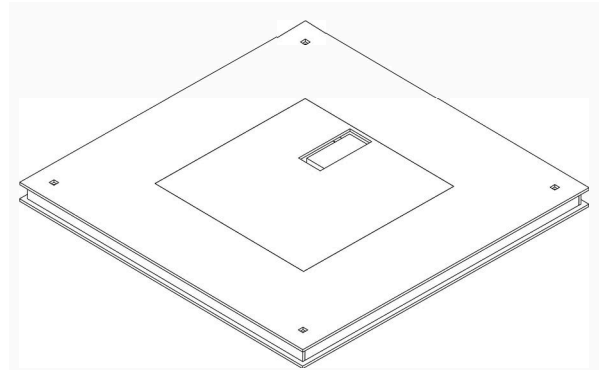
Cable Cutter

Items Included



CLOUD LIT

OR

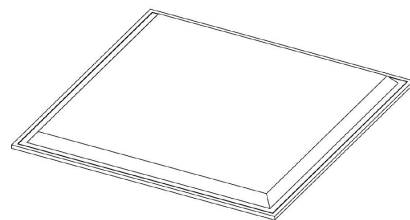


CLOUD LIT [Square]

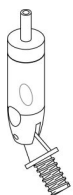


15" Round Light

OR



2x2 Square Light



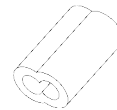
Jointed Gripper



Aircraft Cable with Ball Head

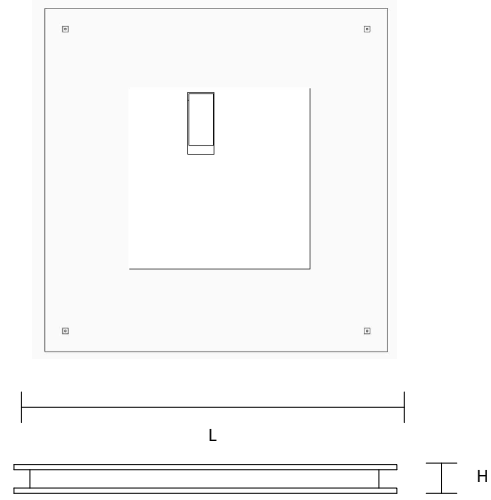
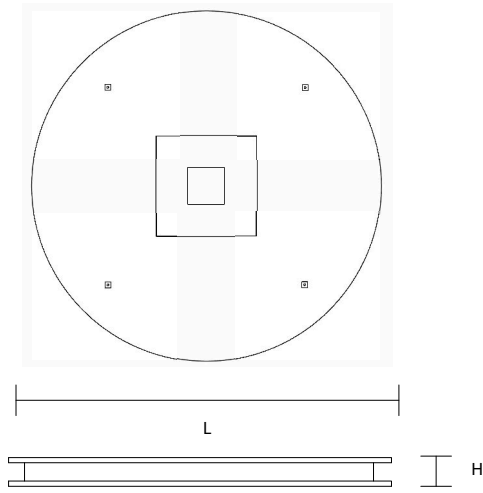


Sputnik Assembly

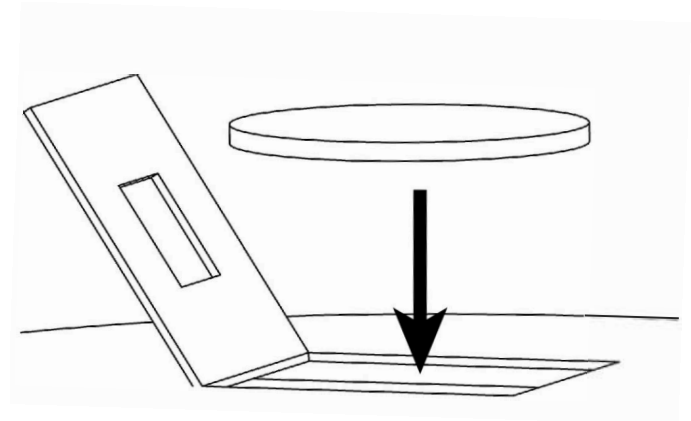
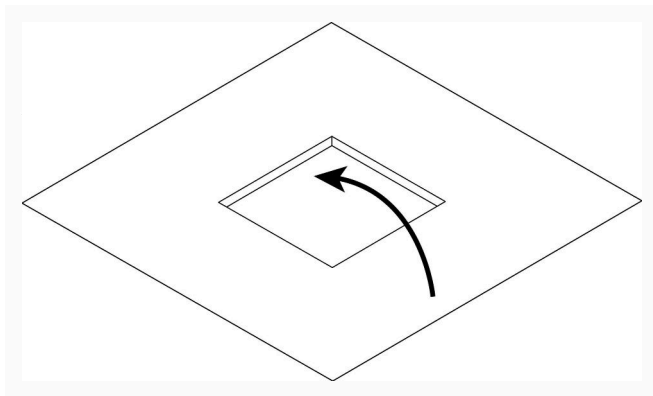


Crimp Bead

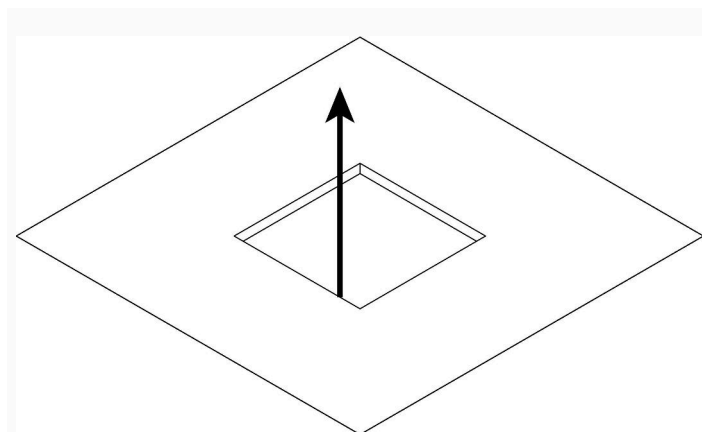
1. Unwrap CLOUD from plastic wrap. Confirm CLOUD dimensions match your needs.



2. Open Large Trap Door. Place light inside.



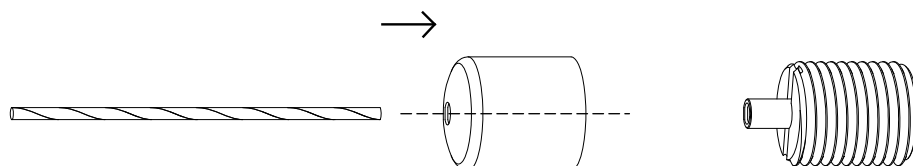
3. Close the Large Trap Door. Feed wires through the opening.



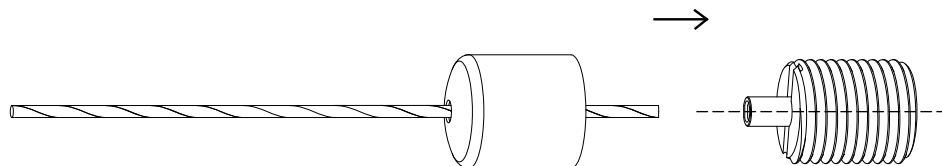
CLOUD LIT Installation

Acoustical Cloud

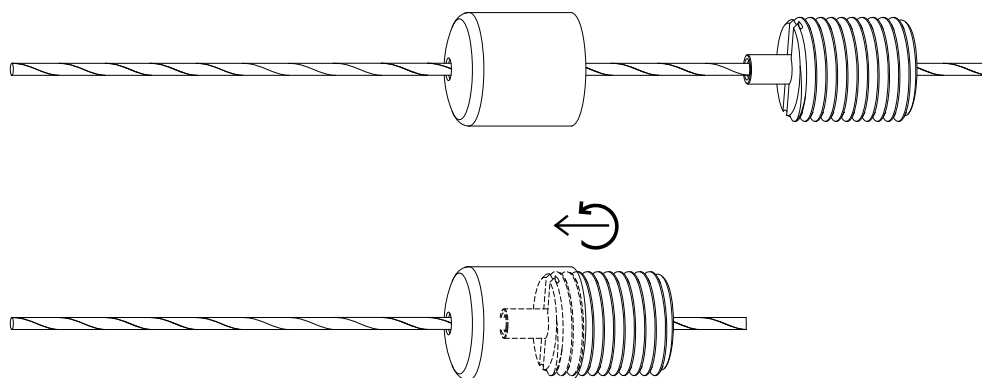
4. Insert the aircraft cable into the sputnik head.



5. Insert the aircraft cable into the threaded head.



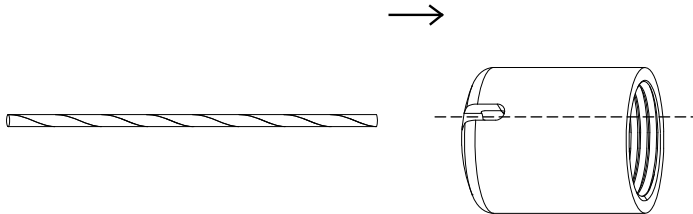
6. Screw it to the sputnik head.



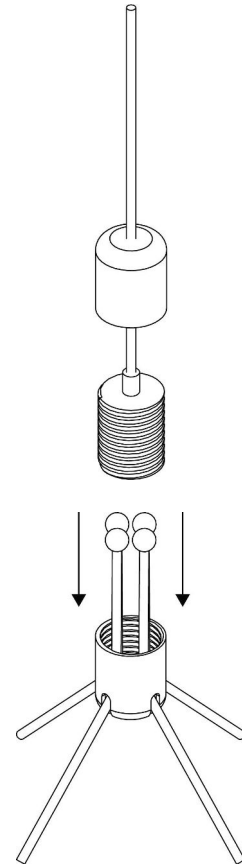
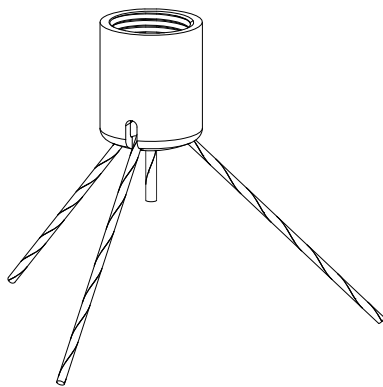
CLOUD LIT Installation

Acoustical Cloud

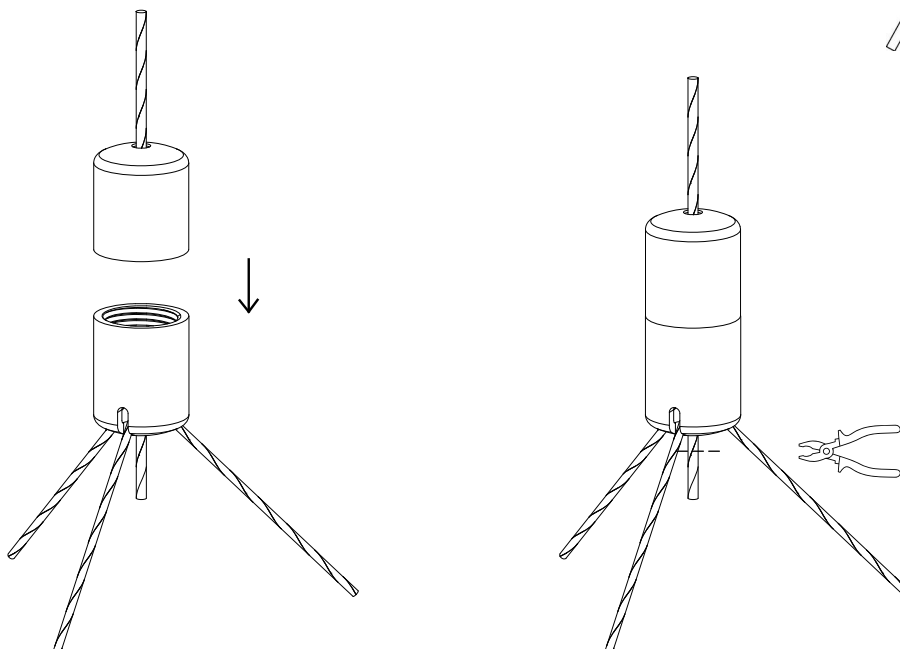
7. Insert aircraft cables to the bottom exit.



8. String 4 Aircraft Cables with Ball Heads through the bottom exit. Refer to the drawing on the right for the full assembly.



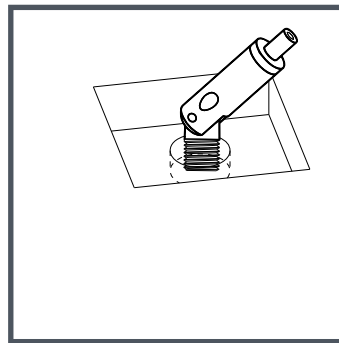
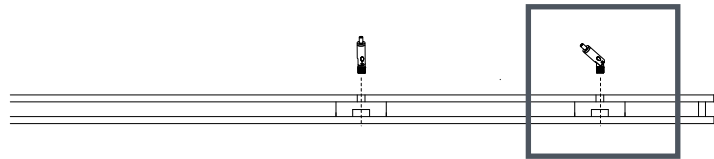
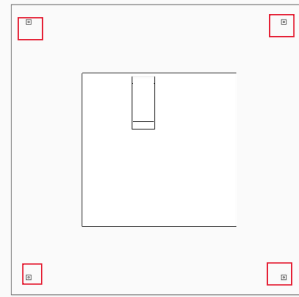
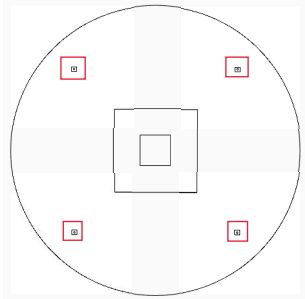
9. Screw it back to the sputnik head and cut excess wire



CLOUD LIT Installation

Acoustical Cloud

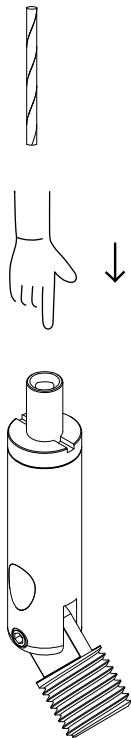
10. Locate the 4 threaded holes to mount the jointed gripper.



NOTE: Use caution when tightening the hinge on jointed gripper.

Ensure the angle of the jointed gripper is aiming towards the center of the cloud - this ensures all the cables will be in the correct direction and avoids breakage.

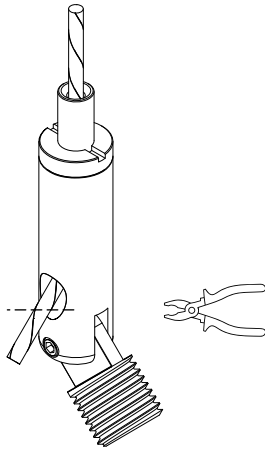
11. Press and hold the spring portion to insert the aircraft cable.



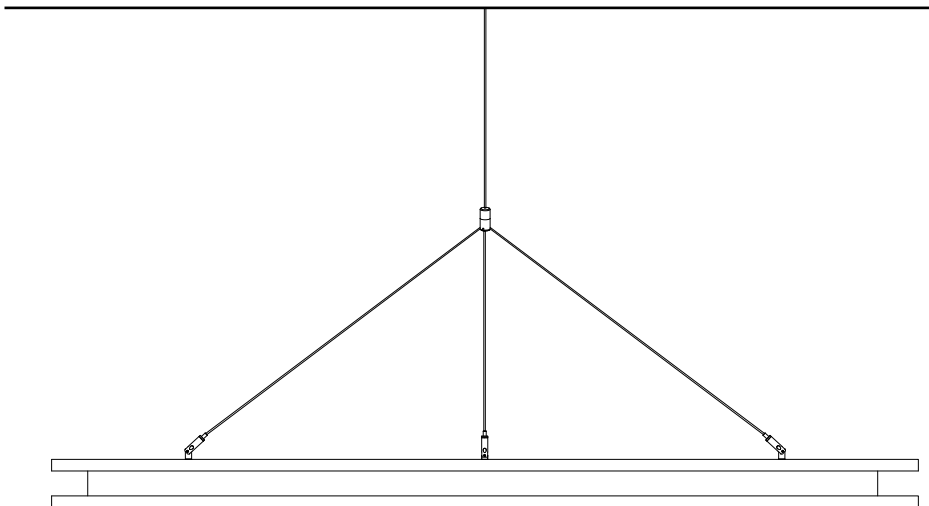
CLOUD LIT Installation

Acoustical Cloud

12. After inserting, cut off the excess cable.

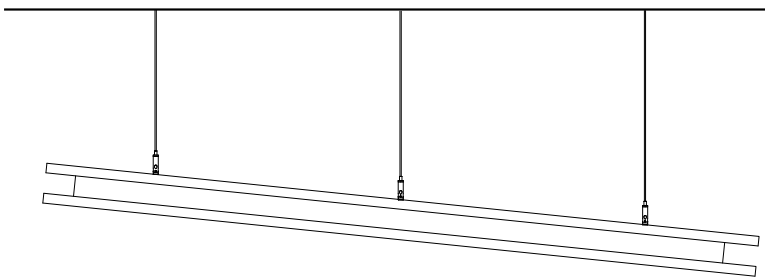
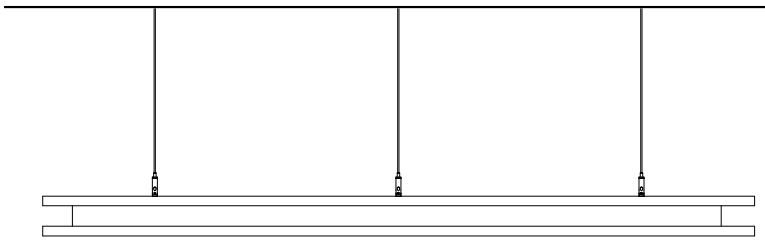
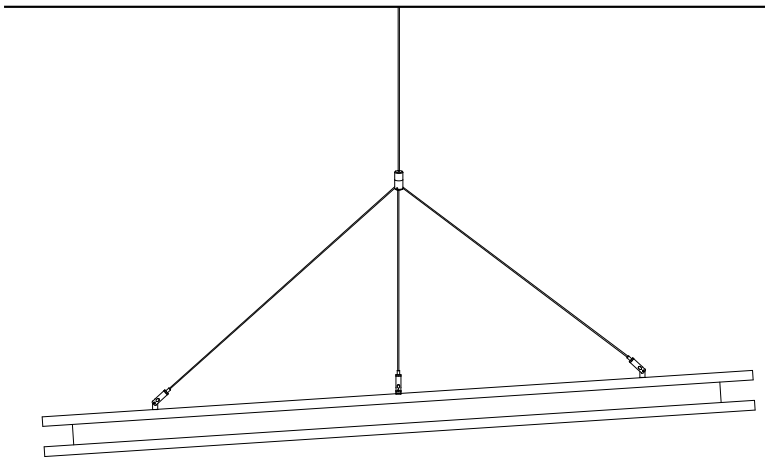


13. Finished Assembly. Cloud can be hung at different lengths.



CLOUD LIT Installation

Acoustical Cloud



Threaded Rod Assembly

