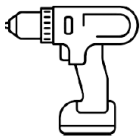


VIBE MOLDED Wall Installation - Sway, Nami, Clif

These installation suggestions consist of a common process for VIBE MOLDED installation. Installers should rely upon their own professional experience and understanding of their unique requirements to ensure a successful install.

VIBE will look best when installed with no gaps between ends or rows.

Tools Needed for Impaler Installation

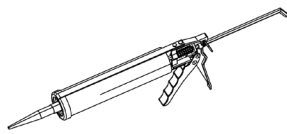


Drill



Sheet Rock
Screw

Tools Needed for Non-Impaler Installation



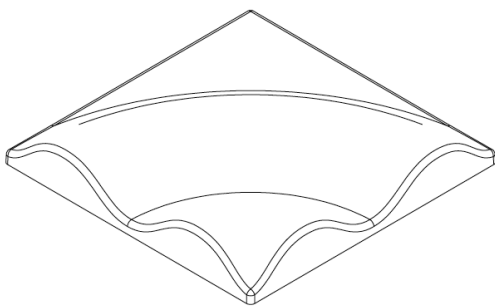
Liquid Nail

or

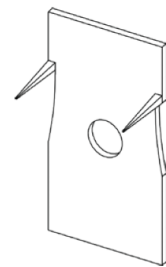


3095 Carpet Glue
Adhesive

Items Included

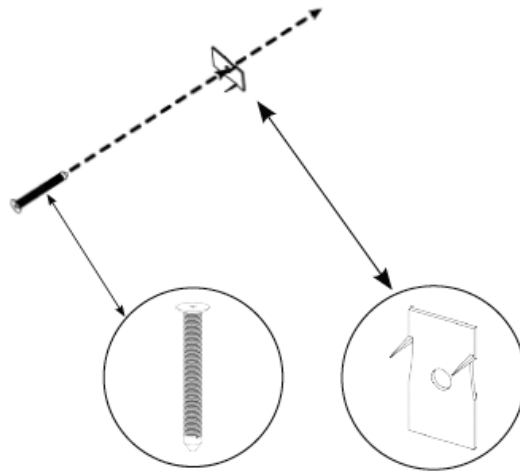


Vibe Molded Panels

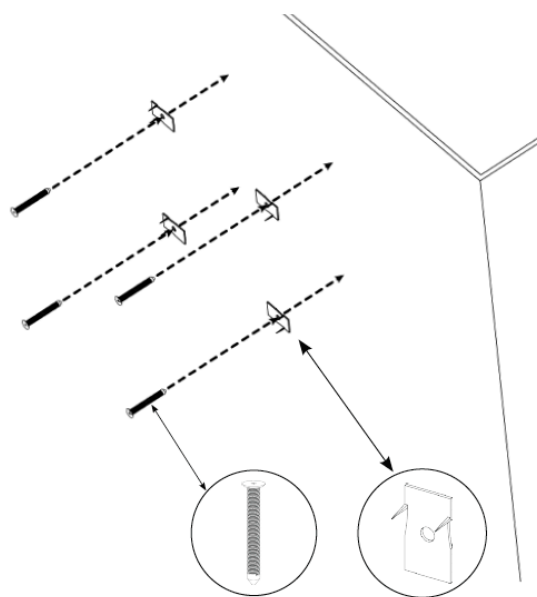


Impaler Clips

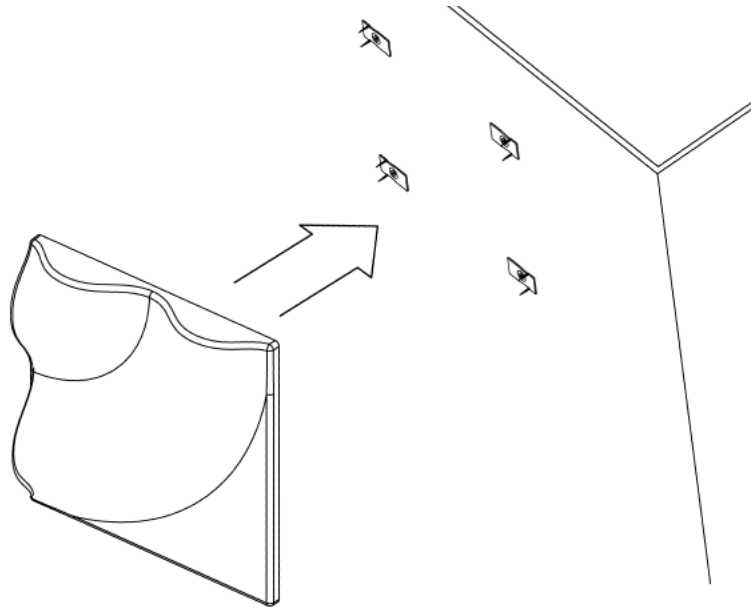
1. **IMPALER WALL INSTALL:** Direct install to sheetrock with screws. Use your drill to attach impaler clips to the desired location on your interior sheetrock wall.



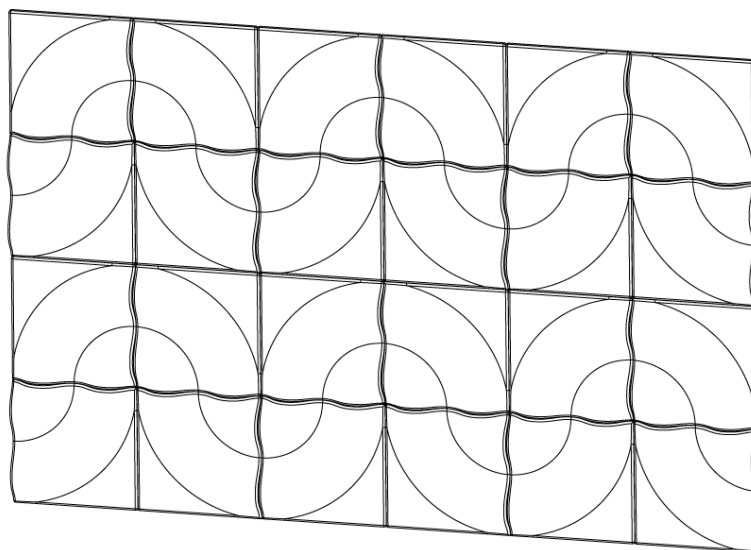
2. Repeat the process three more times so a total of four (4) impaler clips are placed on the wall behind each VIBE panel.



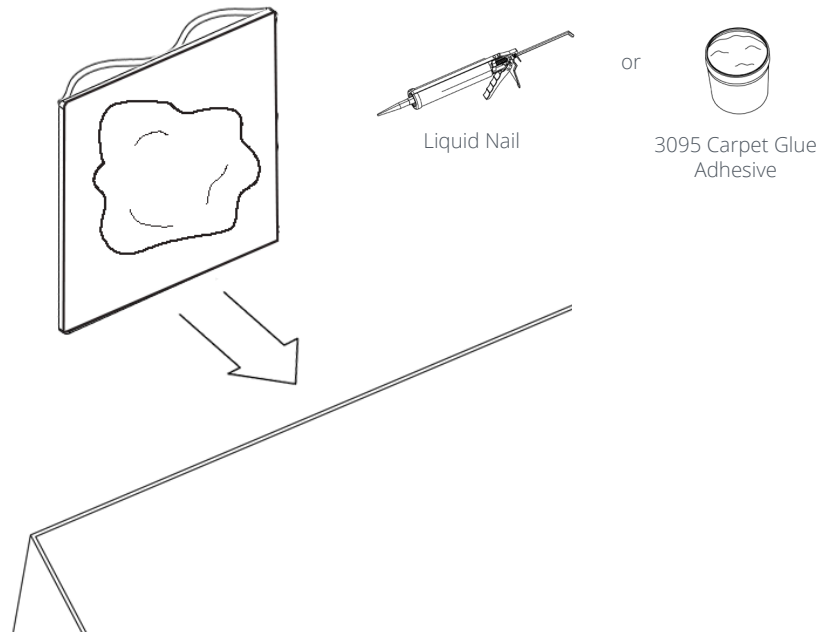
3. Now that your impaler clips are secure on the wall, use pressure to attach the VIBE panel to the impaler clips.



4. Repeat the process until your desired pattern is achieved.



1. NON-IMPALER WALL INSTALL: Apply a generous amount of Liquid Nail, 3095 Carpet Glue Adhesive or other comparable adhesive product to the back of a VIBE MOLDED panel. Use pressure to apply the panel to your interior sheetrock wall.



2. Repeat the process until your desired pattern is achieved.

