



ETCH ARC | Acoustical Wall Tiles

Etch Arc adds to our highly popular wall tile series, fusing geometry, acoustics and a little bit of whimsy. Each Etch Arc tile features a raised architectural element that creates depth and an air cavity for improved acoustical performance despite the product's slim profile. The pattern and overall installed appearance can change dramatically just by rotating the position of tiles to create dramatic patterns. Each tile can be single or multi-colored. Easy to install and just as easy to love, you can't go wrong with Etch.

Dimensions:

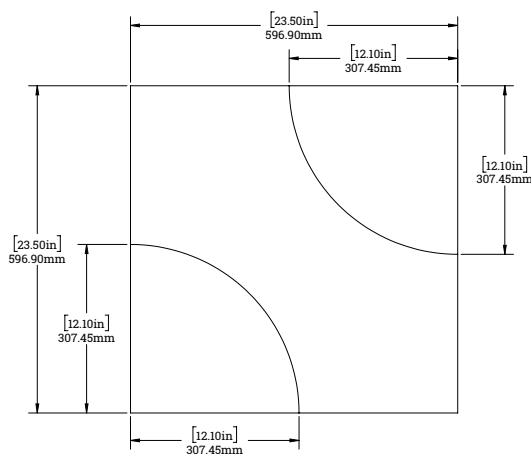
- 24"L x 24" W x 1" H

Colors:

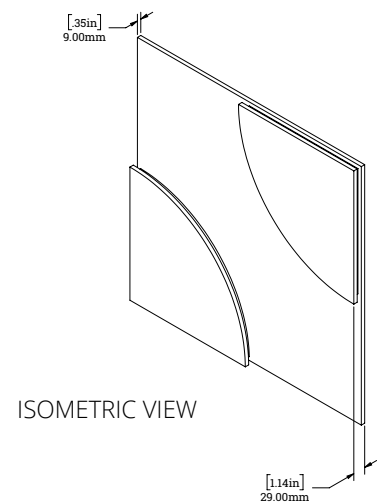
- 36 color options

Need a price?

[Frasch.com/quotes](https://fräsch.com/quotes)



FRONT VIEW



ISOMETRIC VIEW